



Herbeau®  
L'Art du Sanitaire depuis 1857

# Technical Support

## PDF Document

**Email: [support@herbeau.com](mailto:support@herbeau.com)**

*Herbeau Creations of America*

3600 Westview Dr., Naples, FL 34104

Phone 239.417.5368, Fax 239.417.8951, Toll-free 800.547.1608, Fax 800.547.0084, [www.Herbeau.com](http://www.Herbeau.com)

**2101 and 2104 installation instructions**  
**Installation of these faucets must be performed by an**  
**experienced, licensed plumber for proper installation and**  
**warranty**  
**Installation of these faucets in a marine/outdoor environment**  
**will void the warranty**

**Tools needed:**

Power drill  
Measuring tape or ruler  
Pencil  
Pliers  
Adjustable wrench  
Clean rags  
Pipe cutter  
Pipe bender  
Bucket

**Faucet prep and installation:**

1. Determine where you will need to mount the wall mount Verseuse faucet. Flow rate is 1.2 GPM.
2. Cut a 1 1/8" hole in wall for faucet. There is a 1" diameter threaded mounting stem and the finished wall escutcheon 2 1/8" in diameter. The faucet measures approximately 11 3/4" from the finished wall escutcheon to the end of the longest finished 3/8" copper based supply lines.
3. Ensure there are proper hot and cold plumbing lines in wall to connect by compression fitting, if this method is chosen, to the 3/8" faucet copper based supply lines down to the appropriate size for your installation. Be careful not to bend the supply lines too far apart without proper support where lines exit the back of the body as this can crack the lines inside of the main body and void your warranty.
4. Ensure there are hot and cold shut-off valves accessible, if possible, for emergency shut-off and maintenance.
5. To avoid possible damage to your faucet and voiding your warranty, be sure to flush out the hot and cold supply lines into bucket before faucet hook-up. If debris is flushed into faucet, this can cause a

- number of problems: No water flow from spout, clogged spout aerator or clogged/damaged compression stems.
6. Unthread mounting hardware nut and washers from the faucet stem counter-clockwise. Position faucet on wall, then behind wall, thread mounting hardware nut and washer onto faucet stem clockwise until faucet is secure to wall.
  7. Connect hot and cold supply lines with proper method chosen for connecting to main supply lines. (Most often, compression fitting adapters are used.)

**Faucet test:**

8. Ensure faucet handles are in the off position, turned fully clockwise.
9. Turn the hot and cold water supply lines on slowly and ensure there are no leaks anywhere on or around faucet.
10. Turn faucet handles on by turning them counter-clockwise and ensure a clean, steady stream of water from the spout.
11. Shut handles off clockwise. Faucet is now successfully installed.

**Finish and care instructions for your faucets can be found at the following link:**

<https://herbeau.com/CleaningAll.pdf>

**Specification sheets for your faucets can be found at the following links:**

<https://herbeau.com/2101%20Verseuse%20Wall%20Mount%20Mixer.pdf>

<https://herbeau.com/2104%20Verseuse%20Wall%20Mounted%20Mixer.pdf>

**2102, 2105 and 3050 installation instructions**  
**Installation of these faucets must be performed by an**  
**experienced, licensed plumber for proper installation and**  
**warranty**

**Installation of these faucets in a marine/outdoor environment**  
**will void the warranty**

**Tools needed:**

Power drill  
Measuring tape or ruler  
Pencil  
Pliers  
Adjustable wrench  
Clean rags  
Pipe cutter  
Pipe bender  
Bucket

**Faucet prep and installation:**

1. Determine where you will need to mount the deck mount Verseuse faucet. The flow rate is 1.7 GPM.
2. If possible, ensure there are hot and cold shut-offs for the supply lines to be connected to the faucet for emergency shut-off and maintenance.
3. Cut a 1 1/8" hole in counter for faucet. There is a 1" diameter threaded mounting stem and two copper based supply lines, approximately 10 millimeters in diameter leading from the 1" threaded main body mounting stem. The connection point from these lines to the existing supply lines would be a female to female compression adapter or other appropriate connection hardware for your particular installation. If using the 0490 or 0491 lavatory supply lines for your installation, the lavatory supply line nipples will need to be cut off so the supply line pipes can be attached by compression fitting to the supply lines on faucet.
4. To avoid possible damage to your faucet and voiding your warranty, be sure to flush out the hot and cold supply lines into bucket before faucet hook-up. If debris is flushed into faucet, this can cause a number of problems: No water flow from spout, clogged spout aerator or clogged/damaged cartridges or stems.

5. Remove mounting parts #12, #13 and #14 from base of #9 threaded stem. #14 mounting nut unthreads counter-clockwise.
6. For 2102 and 2105, set faucet with #10 ring and #11 counter escutcheon over 1 1/8" counter hole.
7. Slide #12 and #13 washers back onto #9 threaded stems and thread #14 nut back onto #9 threaded stem clockwise until faucet is snug to counter.
8. Connect hot and cold pipes on faucet to hot and cold inlets with appropriate compression fittings or any other preferred method. Pipes can be carefully cut to length using a pipe cutter.

**Faucet test:**

9. Ensure hot and cold handles on faucet are in the off position-turned fully clockwise.
10. Turn the hot and cold water supply lines on slowly and ensure there are no leaks anywhere on or around faucet.
11. Turn faucet handles on by turning counter-clockwise and ensure a clean, steady flow of water from the faucet spout.
12. Shut faucet handles off. Faucet is now successfully installed.

**Finish and care instructions for your faucets can be found at the following link:**

<https://herbeau.com/CleaningAll.pdf>

**Specification sheets for your faucets can be found at the following links:**

<https://herbeau.com/2102%20Verseuse%20Deck%20Mount%20Mixer.pdf>

<https://herbeau.com/2105%20Verseuse%20Deck%20Mounted%20Mixer.pdf>

<https://herbeau.com/3050%20Royale%20Verseuse%20Deck%20Mounted%20Mixer.pdf>

**2110, 2113 and 2115 installation instructions**  
**Installation of these taps must be performed by an**  
**experienced, licensed plumber for proper installation and**  
**warranty**

**Installation of these taps in a marine/outdoor environment will**  
**void the warranty**

**Tools needed:**

Power drill  
Measuring tape or ruler  
Pencil  
Pliers  
Adjustable wrench  
Clean rags  
Teflon tape  
Bucket

**Tap prep and installation:**

1. Determine where you will need to mount the wall mount tap. The flow rate is 1.7 GPM. These taps are not mixers so they are either hot or cold single taps.
2. Cut a 5/8" – 3/4" hole in wall for tap thread to mount through.
3. Ensure there is a proper 3/8" female end threaded supply line to connect to the 3/8" male adapter on tap. Ensure there is a shut-off valve within proximity of the tap if possible for emergency shut-off and maintenance.
4. To avoid possible damage to your tap and voiding your warranty, be sure to flush out the supply line into bucket before tap hook-up. If debris is flushed into tap, this can cause a number of problems: No water flow from spout, clogged spout aerator or clogged/damaged cartridge.
5. Remove mounting hardware from tap threaded and slip tap stem through wall hole with finished wall escutcheon and rubber mounting gasket placed between escutcheon and wall
6. Re-attach mounting hardware behind wall back onto tap thread, threading mounting nut on clockwise. Tighten until tap is snug to wall.
7. Set 3/8" washer on top of 3/8" adapter and thread clockwise onto tap thread.

8. Attach hot or cold supply line correctly to 3/8" adapter.

**Faucet test:**

9. Ensure tap handle is shut off by turning clockwise.

10. Open up supply line to tap and ensure there are no leaks on or around tap.

11. Turn tap handle on counter-clockwise and ensure a clean, steady flow of water from tap spout. Turn handle off clockwise. Tap is now successfully installed.

**Finish and care instructions for your taps can be found at the following link:**

<https://herbeau.com/CleaningAll.pdf>

**Specification sheets for your taps can be found at the following links:**

<https://herbeau.com/2110%20Chimere%20Tap%20Wall%20Mounted.pdf>

<https://herbeau.com/2113%20Retro%20Tap%20Wall%20Mounted.pdf>

<https://herbeau.com/2115%20Colvert%20Tap%20Wall%20Mounted.pdf>

**2112, 2114 and 2125 installation instructions**  
**Installation of these taps must be performed by an**  
**experienced, licensed plumber for proper installation and**  
**warranty**

**Installation of these taps in a marine/outdoor environment will**  
**void the warranty**

**Tools needed:**

Power drill  
Measuring tape or ruler  
Pencil  
Pliers  
Adjustable wrench  
Clean rags  
Teflon tape  
Bucket

**Tap prep and installation:**

1. Determine where you will need to mount the deck mount tap. The flow rate is 1.7 GPM. These taps are not mixers so they are either hot or cold single taps.
2. Cut one 1/2" – 5/8" hole in counter for tap thread to mount through.
3. Ensure there is a proper 3/8" female end supply line to connect to the 3/8" male adapter on the tap. Ensure there is a shut-off valve within proximity of the tap if possible for emergency shut-off and maintenance.
4. To avoid possible damage to your tap and voiding your warranty, be sure to flush out the supply line into bucket before tap hook-up. If debris is flushed into tap, this can cause a number of problems: No water flow from spout, clogged spout aerator or clogged/damaged cartridge.
5. Remove mounting hardware from tap threaded stem and slip tap stem through counter hole with finished deck escutcheon and rubber mounting gasket placed between escutcheon and counter.
6. Re-attach mounting hardware under counter back onto tap thread, threading mounting nut on clockwise until tap is secure to counter.
7. Thread 3/8" adapter onto tap thread clockwise, ensuring 3/8" washer is installed into top of 3/8" adapter.
8. Attach supply line correctly to 3/8" adapter.

**Faucet test:**

9. Ensure tap handle is shut off by turning handle fully clockwise.
10. Open up supply line to tap and ensure there are no leaks on or around tap.
11. Turn tap handle on counter-clockwise and ensure a clean, steady flow of water from tap spout. Tap is now successfully installed.

**Finish and care instructions for your taps can be found at the following link:**

<https://herbeau.com/CleaningAll.pdf>

**Specification sheets for your taps can be found at the following links:**

<https://herbeau.com/2112%20Retro%20Tap%20Deck%20Mounted.pdf>

<https://herbeau.com/2114%20Colvert%20Tap%20Deck%20Mounted.pdf>

<https://herbeau.com/2125%20Perle%20Tap%20Deck%20Mounted.pdf>

**2117 and 2118 installation instructions**  
**Installation of these spouts must be performed by an**  
**experienced, licensed plumber for proper installation and**  
**warranty**  
**Installation of these spouts in a marine/outdoor environment**  
**will void the warranty**

**Tools needed:**

Power drill  
Measuring tape or ruler  
Pencil  
Pliers  
Adjustable wrench  
Clean rags  
Teflon tape  
Bucket

**Spout prep and installation:**

1. Ensure proper placement of spout on wall and proper ½” plumbing with ½” threaded male stub-out for both spouts.
2. Taking into account escutcheon diameter of 2 ¼” on both spouts, drill a hole in wall approximately ¾” – 1” for ½” male stub-out.
3. Plumb in proper ½” plumbing connections with hot and cold valves in wall for spout.
4. To avoid possible damage to your spout and voiding your warranty, be sure to flush out the hot and cold supply lines associated with spout and spout supply line into bucket before spout hook-up. If debris is flushed into spout, this can cause a number of problems: No water flow from spout or clogged spout aerator.
5. Ensure that #2 escutcheon for 2117 and 2118 is slid in place on back of #3 spout. There is a built-in rubber o-ring in a center groove on both escutcheons to ensure escutcheon does not scratch spout finish and fits snug when slid on.
6. Thread 2117 and 2118 spout clockwise onto properly prepared ½” male threaded wall stub-out until spout is snug to wall.

**Spout test:**

7. Turn hot and cold supply line valves on and ensure a clean, steady flow of water from spout and there are no leaks around spout connections. Shut supply valves off. Spout is now successfully installed.

**Finish and care instructions for your spouts can be found at the following link:**

<https://herbeau.com/CleaningAll.pdf>

**Specification sheets for your spouts can be found at the following links:**

<https://herbeau.com/2117%20Gargoyle%204%20Inch%20Wall%20Mounted%20Spout.pdf>

<https://herbeau.com/2118%20Gargoyle%205%20and%203.4in%20Wall%20Mounted%20Spout.pdf>

**2207, 2208, 3007, 3008, 3026 and 3607 installation instructions**  
**Installation of these faucets must be performed by an**  
**experienced, licensed plumber for proper installation and**  
**warranty**

**Installation of these faucets in a marine/outdoor environment**  
**will void the warranty**

**Tools needed:**

Power drill  
Measuring tape or ruler  
Pencil  
Pliers  
Teflon tape Or Pipe Dope  
Solder  
Adjustable wrench  
Clean rags  
Plumber's grease  
Bucket

**Faucet prep and installation:**

1. Locate the proper height and placement for mounting the faucet on the wall or the 5831 Bonne Maman cabinet. The 2208 and 3008 were specifically designed for mounting on the 5831 Bonne Maman cabinet.
2. Ensure there is proper ½" plumbing with ½" hot and cold female fittings on the faucet rough.
3. Ensure there are proper hot and cold shut-off valves within reach of the faucet if possible for emergency shut-off and maintenance.
4. To avoid possibly damaging your faucet and voiding your warranty, be sure to flush out the hot and cold supply lines into bucket before faucet hook-up. If debris is flushed into faucet, this can cause a number of problems: No water flow from spout, clogged spout aerator or clogged/damaged cartridges.
5. To prepare faucet for installation, remove T-rough and hot/cold roughs from box. (Everything unthreads counter-clockwise and threads back together clockwise.)
6. Attach hot and cold valve roughs properly to hot and cold supplies first, then prep straight threads on T-rough with pipe dope, Teflon tape or solder the threaded connections together and attach T-rough between hot and cold valve roughs. These connections are straight threaded connections and if one or both of the valve roughs end up not

- aligned with direction of central spout connection, it may be necessary to back off a partial revolution and solder the connection if the Teflon or pipe dope does not adequately seal the straight threads.
7. Thread central spout threaded stem into T-rough properly. (Use Teflon tape, solder or other proper thread sealer on threads.)
  8. Carefully slide central spout escutcheon onto central finished spout stem. (There is a rubber o-ring inserted into a central groove inside of the spout escutcheon to ensure it does not scratch the finished stem and escutcheon fits snug.)
  9. If the central spout assembly is already assembled, thread the assembly onto the central threaded stem until secure.
  10. Thread hot and cold cartridges into hot and cold valve roughs until snug.
  11. Slip brass hex tube over cartridge. (It may be necessary to cut the hex tube down to adjust to varying wall depths. Only cut the tube from the solid male end as cutting it from the hollow female end may not allow enough of the hollow tube to be left over for attachment.)
  12. Thread round brass extension onto cartridge until snug. (It may be necessary to cut the round brass tube down from the threaded end only to adjust to varying wall depths.)
  13. Thread inner finished trim housing onto brass extension until snug.
  14. Slip finished valve escutcheon over trim housing and press up against wall or back splash. (There is a rubber o-ring in a central groove on the finished escutcheon to ensure trim housing does not get scratched and there is a snug fit.)

**For cross handle faucets:**

15. Thread bell housing clockwise onto trim housing until snug.
16. Slip finished handle stem through bell housing and onto trim housing nipple.
17. Slip cross handle over handle stem nipple.
18. Place washer into top of cross handle and thread handle screw clockwise until snug.
19. If using older style ceramic inserts with round double sided adhesive tape, stick tape onto top of cross handles, then stick ceramic hot and cold inserts onto top of tape in cross handles.
20. If using newer finished finial style ceramic inserts, place a small amount of plumber's grease onto ceramic insert finial rubber o-rings and press hot and cold finial inserts into top of cross handles.

**For Pompadour round handle style faucets:**

21. After completing step #14, thread escutcheon ring clockwise onto trim housing until snug.
22. Snap white plastic cap onto trim housing nipple and secure with brass screw.
23. Put a small amount of plumber's grease deep in the cavities of the round handles and press handles firmly onto white plastic caps until snug.

**Faucet test:**

24. Ensure hot and cold valves on faucet are in the off position.
25. Turn the hot and cold water supply lines on slowly and ensure there are no leaks on or around faucet.
26. Turn the hot and cold water handles on by turning counter-clockwise and ensure a clean, steady stream of water from the faucet spout.
27. Shut hot and cold handles to faucet off by turning them clockwise.

Faucet is now successfully installed.

**Finish and care instructions for your faucets can be found at the following link:**

<https://herbeau.com/CleaningAll.pdf>

**Specification sheets for your faucets can be found at the following links:**

<https://herbeau.com/2207%20Pompadour%20Wall%20Mounted%203-Hole%20Set%20without%20Waste.pdf>

<https://herbeau.com/2208%20Pompadour%20Wall%20mounted%203-Hole%20Set%20Without%20Waste.pdf>

<https://herbeau.com/3007%20Royale%20Three%20Hole%20Mixer%20Wall%20Mounted.pdf>

<https://herbeau.com/3008%20Royale%20Wall%20Mounted%20Three%20Hole%20Set.pdf>

<https://herbeau.com/3026%20Royale%20Three%20Hole%20Set%20Wall%20Mounted.pdf>

<https://herbeau.com/3607%20Monarque%20Wall%20Mounted%203-Hole%20Set%20without%20Waste.pdf>

**2231, 2233, 3001, 3010, 3601 and 3610 installation instructions**  
**Installation of these faucets must be performed by an**  
**experienced, licensed plumber for proper installation and**  
**warranty**

**Installation of these faucets in a marine/outdoor environment**  
**will void the warranty**

**Tools needed:**

Power drill  
Measuring tape or ruler  
Pencil  
Pliers  
Adjustable wrench  
Clean rags  
Plumber's grease  
Bucket

**Faucet prep and installation:**

1. Locate area on counter for single hole counter top faucet. Single hole bidet mixer mounts on pre-formed hole in Herbeau bidet for over the rim bidet fitting.
2. If possible, ensure there are proper hot and cold 3/8" male supply lines with shut-off valves for connection and within reach of 3/8" x 12" female flexible supply lines for emergency shut-off and maintenance.
3. To avoid possible damage to your faucet and voiding your warranty, be sure to flush out the hot and cold supply lines into bucket before faucet hook-up. If debris is flushed into faucet, this can cause a number of problems: No water flow from spout, clogged spout aerator or clogged/damaged cartridges.
4. Drill one 1 1/4" hole in counter for spout. Bidet already has pre-formed hole on rim back for mounting of bidet faucets.
5. Remove mounting hardware from faucet. Faucet mounting nut unthreads counter-clockwise. Slip hot and cold flexible lines and mounting rod through 1 1/4" hole and set faucet onto 1 1/4" hole in center of bidet. If there is a rubber washer for the faucet escutcheon to sit on, ensure that it is placed under the faucet escutcheon.
6. Re-attach mounting hardware for faucet. Mounting nut threads back on clockwise. Ensure faucet is snug to counter or bidet.
7. Ensure pop-up rod is installed into faucet pop-up rod hole.

**Pop-up assembly installation-please reference 3080 spec sheet pop-up side of specs only for the following steps:**

8. (There is a 17" extension, part #990128, for the #13 horizontal rod available for greater distances between faucet and pop-up assembly.)
9. Remove #3 drain assembly from #11 body by unthreading counter-clockwise.
10. Remove #7 mounting nut counter-clockwise, then pull off #4, #5 and #6 mounting parts and set aside.
11. If necessary, for proper sealing, put an appropriate size ring of plumber's putty around lip of sink drain hole where #3 will sit.
12. Set #3 into sink drain properly and set #2 pop-up with #8 and #9 attached to its bottom into #3. Ensure #9 eyelet is facing #14 nut hole so #13 rod can be connected to it later. Ensure #2 drain plug and #1 rubber o-ring seals well with #3 drain assembly.
13. Underneath sink, slide #4 white ring, #5 black rubber grommet with small side up and #6 white plastic ring up onto bottom of #3. Thread #7 mounting nut with flat side up clockwise onto #3 until pop-up assembly is snug to bottom of sink or bidet.
14. Thread #11 and #12 back onto #3 clockwise, ensuring that #10 plastic washer is seated in the top of #11 body.
15. Remove #14 drain nut by unthreading counter-clockwise.
16. Slip #13 horizontal rod through back of #14 so ball end of rod sits behind nut.
17. Insert the #13 horizontal rod back into the #11 pop-up body and make sure it slips through the eyelet of the #9 pop-up stem. Thread the #14 nut back onto the #11 main body clockwise to secure #13 rod in place.
18. Toggle #13 rod up and down to ensure it's engaged with #9 rod and moves #2 drain plug up and down completely.
19. Loosen #17 mounting connection screws so rods can slide through holes on #15 and #16.
20. Slide #13 rod through #15 round nut to the desired length and secure with #17 screw.
21. Ensure that faucet vertical pop-up rod slides through the top of #16 square nut and secure with other #17 screw.
22. Ensure that #2 pop-up drain pops up to allow water to drain from sink or bidet when faucet pop-up rod is pushed down.

23. Ensure that when faucet pop-up rod is pulled up that #2 pop-up drain sits securely into drain hole and holds water. Assembly is now successfully installed.
24. Attach hot and cold flexible faucet supply lines to hot and cold male water supply nipples by threading connections on clockwise until snug.

**Faucet test:**

25. Ensure hot and cold valves on faucet are in the off position.
26. Turn on the hot and cold water cross handles or round handles by turning counter-clockwise. Ensure a clean, steady stream of water from the faucet spout.
27. Shut off hot and cold handles by turning clockwise. Faucet is now successfully installed.

**Finish and care instructions for your faucets can be found at the following link:**

<https://herbeau.com/CleaningAll.pdf>

**Specification sheets for your faucets and pop-ups can be found at the following links:**

<https://herbeau.com/2205%20Pompadour%20Single%20Hole%20Lavatory%20Set.pdf>

<https://herbeau.com/2233%20Pompadour%20Single%20Hole%20Bidet%20Set.pdf>

<https://herbeau.com/3001%20Royale%20Single%20Hole%20Basin%20Mixer%20With%20Pop-Up%20Waste.pdf>

<https://herbeau.com/3010%20Royale%20Single%20Hole%20Bidet%20Mixer%20With%20Pop-Up.pdf>

<https://herbeau.com/3601%20Monarque%20Single%20Hole%20Basin%20Mixer.pdf>

<https://herbeau.com/3610%20Monarque%20Single%20Hole%20Bidet%20Mixer%20With%20Pop-Up%20Waste.pdf>

<https://herbeau.com/3080%20Royale%20Pop-Up%20Waste.pdf>

**2232, 3002, 3202, 3302 and 3602 installation instructions**  
**Installation of these faucets must be performed by an**  
**experienced, licensed plumber for proper installation and**  
**warranty**

**Installation of these faucets in a marine/outdoor environment**  
**will void the warranty**

**(Note: 3202 main body has mounting base threads off-set or**  
**off-centered so when viewed from the side, deck center cut-out**  
**will be set back from center of main body. It's best to cut deck**  
**hole with faucet in hand.)**

**Tools needed:**

Power drill  
Measuring tape or ruler  
Pencil  
Pliers  
Teflon tape  
Adjustable wrench  
Clean rags  
Plumber's grease  
Bucket

**Faucet prep and installation:**

1. Cut two 1 ¼" diameter holes in counter for valves, spaced between 8" – 25" center to center and one 1 ¼" hole in the middle of the two holes for the spout body. (Due to faucets having flexible valve to spout hoses, these faucets can have an 8" – 25" spread.)
2. Ensure there are proper hot and cold lines with ½" female connections to connect to the hot and cold valves.
3. If possible, ensure there are hot and cold shut-off valves within reach of the faucet for emergency shut-off and maintenance.
4. To avoid possible damage to your faucet and voiding your warranty, be sure to flush out the hot and cold supply lines into bucket before faucet hook-up. If debris is flushed into faucet, this can cause a number of problems: No water flow from spout, clogged spout aerator or clogged/damaged cartridges.
5. Thread hex mounting nuts clockwise approximately 1" down on top of threaded valves and place metal and rubber washer over top of nuts on valves. Insert tops of valve threads up through bottom of counter valve holes and tighten valve mounting nuts clockwise snug with

- metal and rubber washer in between nut and underside of counter.  
(Allow a few threads of valve to stick up from counter.)
6. Place rubber washers under valve mounting escutcheons and thread valve escutcheons onto valves clockwise until snug. (Instead of flat deck escutcheons, 2232 Pompadour faucet has unfinished brass mounting nuts that thread onto valve threads protruding up through counter.)
  7. Make sure ceramic cartridges are firmly threaded clockwise into hot and cold valve bodies until snug.

**For cross handle faucets:**

8. Thread bell housings clockwise onto cartridge threads of hot and cold valves until snug.
9. Insert finished cartridge stems through bell housings and onto cartridge nipples.
10. For cross handles, insert washers and handle screws into handle tops and thread screws clockwise until snug.
11. For old style cross handles, place double sided adhesive tape into center of handles, then stick ceramic hot and cold inserts onto tape.
12. For new style cross handles, place a small amount of plumber's grease onto ceramic insert finial o-rings, then insert hot and cold finial inserts into cross handle tops.
13. For lever handles, insert lever handles with finished stems into top of bells and onto cartridge stems.
14. Thread lever handle vertical screws clockwise into top of lever stems and bases, then thread snug.

**For 2232 Pompadour round handle faucet:**

15. Thread bell escutcheons clockwise onto hot and cold unfinished brass mounting nuts on valves until snug.
16. Snap white plastic serrated tabs onto cartridge stems and secure with brass screws until snug.
17. Place a small amount of plumber's grease deep inside of round handle opening to ease insertion onto white plastic serrated tabs.
18. Press handles firmly onto white serrated tabs until secure. (It may be necessary tap handles carefully onto tabs with a rubber mallet or piece of soft wood and rubber mallet.)

### **Spout body installation:**

19. Place spout body into center hole with spout escutcheon and rubber gasket under spout.
20. Secure spout assembly with mounting hardware under counter.  
(Please refer to appropriate faucet specification sheets for specific order of mounting parts on spout assembly.)
21. Thread flexible hoses onto spout and valve connections clockwise until snug. (Ensure flexible hose washers are in place before attaching.)
22. Attach hot and cold fittings properly to hot and cold ½” threaded adapters under counter.
23. Put a small amount of plumber’s grease on the bottom half of the pop-up rod for 3302, 3002 and 3602 only, as the rod has to fit through a small rubber o-ring at the bottom of spout base or top of spout depending on model.

### **Pop-up assembly installation-please reference 3080 spec sheet pop-up side of specs only for steps 24-40:**

24. There is a 17” extension for the #13 horizontal rod available for greater installation distances between pop-up drain and pop-up knob assembly.
25. Remove #3 drain assembly from #11 body by unthreading counter-clockwise.
26. Remove #7 mounting nut counter-clockwise, then pull off #4, #5 and #6 mounting parts and set aside.
27. If necessary, put an appropriate size ring of plumber’s putty around lip of sink drain hole where #3 will sit.
28. Set #3 into sink drain properly and set #2 pop-up with #8 and #9 attached to its bottom into #3. Ensure #2 drain plug and #1 rubber o-ring seals securely with #3 drain assembly.
29. Ensure eyelet of #9 is pointing toward side opening in #11. This is where the #13 rod will be sliding through for proper pop-up operation.
30. Underneath sink, slide #4 white ring, #5 rubber grommet with small side up and #6 ring up onto bottom of #3. Thread #7 mounting nut clockwise onto #3 until assembly is snug to bottom of sink.
31. Thread #11 and #12 back onto #3 clockwise, ensuring that #10 plastic washer is seated in the top of #11 body.
32. Remove #14 drain nut by unthreading counter-clockwise.
33. Slip #13 horizontal rod through the back of #14 nut so ball end of rod sits behind nut.

34. Insert the #13 horizontal rod back into #11 pop-up body and make sure it slips through the eyelet of the #9 pop-up stem. Thread the #14 nut back onto the #11 main body clockwise to secure #13 rod in place.
35. Toggle #13 rod up and down to ensure it's engaged with #9 rod and moves #2 drain plug up and down completely.
36. Loosen #17 mounting connection screws so rods can slide through holes on #15 and #16.
37. Slide #13 rod through #15 round nut to the desired length and secure #16 square nut to #15 round nut with #17 screw snug until #13 rod is secure.
38. Ensure that faucet vertical pop-up rod slides through the top of #16 round nut and secure with other #17 screw.
39. Ensure that #2 pop-up drain pops up to allow water to drain from sink when faucet pop-up rod is pushed down.
40. Ensure that when faucet pop-up rod is pulled up that #2 pop-up drain sits securely into drain hole and holds water. Pop-up assembly is now successfully installed.

**Faucet test:**

41. Ensure hot and cold valves on faucet are in the off position.
42. Turn main hot and cold supply lines on. Ensure there are no leaks on or around faucet.
43. Turn the hot and cold water cross handles on by turning them counter-clockwise. Lever handles turn on forward in opposite directions as lever handle faucet has ¼ turn ceramic cartridges that are hot and cold specific. Ensure a steady stream of water from the faucet spout.
44. Shut hot and cold handle off. Faucet is now successfully installed.

**Finish and care instructions for your faucets can be found at the following link:**

<https://herbeau.com/CleaningAll.pdf>

**Specification sheets for your faucets can be found at the following links:**

<https://herbeau.com/2232%20Pompadour%20Widespread%20Lavatory%20Set.pdf>

<https://herbeau.com/3002%20Royale%20Widespread%20Lavatory%20Set.pdf>

<https://herbeau.com/3202%20Royale%20High%20Arc%20Lavatory%20Set.pdf>

<https://herbeau.com/3002%20Royale%20Widespread%20Lavatory%20Set%20With%20Lever%20Handle.pdf>

<https://herbeau.com/3602%20Monarque%20Widespread%20Lavatory%20Set.pdf>

<https://herbeau.com/3080%20Royale%20Pop-Up%20Waste.pdf>

**2235, 3031 and 3631**  
**Installation instructions**  
**Installation of these wall mounted tub fillers with hand showers must be performed by an experienced, licensed plumber for proper installation and warranty**  
**Installation of these faucets in a marine/outdoor environment will void the warranty**

**Tools needed:**

Power drill  
Measuring tape or ruler  
Pencil  
Pliers  
Teflon tape  
Adjustable wrench  
Clean rags  
Plumber's grease  
Bucket

**Faucet prep and installation:**

1. Locate area on wall for proper fit and mounting of tub filler. The 2235 has 6" center to center,  $\frac{3}{4}$ " diameter mounting holes and the 3031, 3631 have 6" – 8" center to center, 1" diameter mounting holes. Verify measurements on specification sheets.
2. For the 2235, ensure there are  $\frac{1}{2}$ " female connections for connecting to the  $\frac{1}{2}$ " male threaded hot and cold inlets. On the 3031 and 3631, ensure there are  $\frac{3}{4}$ " female connections for connecting to the male threaded hot and cold inlets.
3. Ensure there are hot and cold shut-off valves within reach of the tub filler if possible for emergency shut-off and maintenance.
4. To avoid possible damage to your tub filler and voiding your warranty, be sure to flush out the hot and cold supply lines into bucket before tub filler hook-up. If debris is flushed into tub filler, this can cause a number of problems: No water flow from spout, clogged spout aerator, clogged hand shower diverter, no flow to hand shower or clogged/damaged cartridges.

5. These tub fillers normally come partially disassembled. On the 2235, if the wall valve pipes are not connected, ensure washers are installed between main body and pipe connections, then thread the shorter threaded end of each hot and cold pipe clockwise into valve connections on back of main body by threading the main body finished mounting nuts clockwise onto pipes behind wall. Thread mounting nuts clockwise onto pipes until unit is snug to wall. Thread ½” adapters clockwise with washers installed onto hot and cold pipe inlets. Connect ½” adapters correctly to ½” female supply lines.
6. If handles and cartridges are not installed, thread cartridges into hot and cold valves clockwise until snug.
7. Thread handle escutcheons clockwise over cartridges until snug.
8. On 2235, ensure #11 serrated nylon separators are attached to cartridge stems with #12 brass screws.
9. On 2235, apply a small amount of plumber’s grease deep inside of each handle indentation where nylon separators will snap into. Firmly press the handles onto the #11 nylon separators until snug.
10. On the 3031 and 3631, the #24 and #25 wall valves may be separated in the box. To attach these, install the #23 washers into the #23 main body hot and cold valve connectors. Thread the #24 valves up into the main body valves at #23. Thread #23 connectors clockwise onto #24 threaded connections until snug.
11. Attach #25, ¾” connectors to #24 valves if not already installed. Properly thread #25 male ¾” connectors clockwise into ¾” hot and cold wall stubs.
12. Ensure there are hose washers installed in each end of hand shower hose and thread hand shower hose clockwise onto hand shower and main body back-flow connector until snug.

**Tub set and hand shower test:**

13. Ensure hot and cold handles on tub filler are in the off position-turned clockwise.
14. Turn on main hot and cold water supplies and ensure there are no leaks on or around tub filler or hand shower.
15. Turn on hot and cold handles on tub filler counter-clockwise and ensure a clean, steady flow of water from tub spout only.
16. Activate hand shower by depressing diverter plunger on top of main body and ensure a clean, steady flow of water from the hand shower and the

flow of water from the spout stops. Pull up diverter plunger and ensure water flow to spout resumes and water flow from hand shower stops.  
17. Turn off hot and cold handles clockwise. Tub filler is now successfully installed.

**Finish and care instructions for your tub sets with hand showers can be found at the following link:**

<https://herbeau.com/CleaningAll.pdf>

**Specification sheets for your tub sets with hand showers can be found at the following link:**

<https://herbeau.com/2235%20Pompadour%20Wall%20Mounted%20Tub%20Filler.pdf>

<https://herbeau.com/3031%20Royale%20Exposed%20Tub%20&%20Shower%20Mixer%20Wall%20mounted.pdf>

**2236, 3030 and 3630 installation instructions**  
**Installation of these deck mounted tub fillers with hand showers must be performed by an experienced, licensed plumber for proper installation and warranty**  
**Installation of these tub fillers in a marine/outdoor environment will void the warranty**

**Tools needed:**

Power drill  
Measuring tape or ruler  
Pencil  
Pliers  
Teflon tape  
Adjustable wrench  
Clean rags  
Plumber's grease  
Bucket

**Tub filler prep and installation:**

1. Locate area on tub or deck for proper fit and mounting of tub filler. The 2236 has 6" center to center 1 1/4" diameter mounting holes and the 3030 and 3630 have 6" – 8" center to center 1 1/4" mounting holes. Verify measurements on specification sheets.
2. Ensure there are 1/2" female water connections to connect to the 2236, 1/2" male threaded hot and cold water inlets.
3. Ensure there are hot and cold shut-off valves within reach of the tub filler if possible for maintenance and emergency shut-off.
4. To avoid possible damage to your tub filler and voiding your warranty, be sure to flush out the hot and cold supply lines into bucket before tub filler hook-up. If debris is flushed into tub filler, this can cause a number of problems: No water flow from spout, clogged spout aerator, clogged hand shower diverter, no flow to hand shower or clogged/damaged cartridges.
5. To mount the legs to the tub deck or tub, slide the deck escutcheons up onto the legs first and place the legs through the deck holes. Slide the mounting hardware which consists of a metal and rubber disc up under the legs and attach the hex mounting nuts clockwise onto the threaded legs underneath the deck until snug.

6. Thread the supplied  $\frac{3}{4}$ " adapter with washer in top for 3030 and 3630 or  $\frac{1}{2}$ " adapter with washer in top for 2236 clockwise up onto each leg until snug.
7. Thread both legs clockwise into the  $\frac{1}{2}$ " or  $\frac{3}{4}$ " female deck water supply connections.
8. To install the hot and cold leg valves to main tub filler bodies, attach the shorter threaded male end of the legs to the main body outlets by threading the leg valves clockwise onto the finished mounting nuts located on the main body hot and cold outlets. Ensure the included washers are installed inside of the mounting nuts before attaching legs.
9. With hose washers installed in both ends of hand shower hose, thread hand shower hose by hand clockwise onto hand shower and main body outlet until snug.

**Tub and hand shower test:**

10. Ensure hot and cold handles on main body are in the off position- turned fully clockwise.
11. Turn main hot and cold supply lines on to tub filler and ensure there are no leaks on or around tub filler.
12. Turn hot and cold handles on counter-clockwise and ensure a clean, steady flow of water from spout.
13. Activate hand shower by depressing diverter plunger on top of main body and ensure a clean, steady flow of water from the hand shower and the flow of water from the spout stops. Pull up diverter plunger and ensure water flow from the hand shower stops completely and full water flow to spout resumes.
14. Turn hot and cold handles off clockwise. Tub filler is now successfully installed.

**Finish and care instructions for your tub set and hand shower can be found at the following link:**

<https://herbeau.com/CleaningAll.pdf>

**Specification sheets for your tub sets and hand showers can be found at the following links:**

<https://herbeau.com/2236%20Pompadour%20Deck%20Mounted%20Tub%20Filler.pdf>

<https://herbeau.com/3030%20Royale%20Exposed%20Tub%20&%20Shower%20Mixer%20Deck%20Mounted.pdf>

<https://herbeau.com/3630%20Monarque%20Exposed%20Tub%20&%20Shower%20Mixer%20Deck%20mounted.pdf>



**2237 with 2244, 3033 and 3633 installation instructions**  
**Installation of these tub sets with hand showers must be performed by an experienced, licensed plumber for proper installation and warranty**

**Installation of these tub sets with hand showers in a marine/outdoor environment will void the warranty**

**Tools needed:**

Power drill  
Measuring tape or ruler  
Pencil  
Pliers  
Teflon tape  
Adjustable wrench  
Clean rags  
Plumber's grease  
Bucket

**Tub set prep and installation:**

1. Cut two 1 ¼" diameter holes in counter or tub surface for valves, spaced between 8" – 25" center to center of holes, one 1 ¼" hole in the middle of the two holes for the spout body and one 1 ¼" hole for the hand shower. Space the hand shower hole the appropriate distance from tub filler based on 48" hand shower hose length. (Due to the tub fillers having flexible valve to spout hoses, these tub sets can have an 8" – 25" spread.)
2. Ensure there are proper hot and cold lines with ½" female threaded connections to connect to the hot and cold tub set valves.
3. Ensure there are hot and cold shut-off valves within reach of the tub filler for emergency shut-off and maintenance if possible.
4. To avoid possible damage to your tub filler and voiding your warranty, be sure to flush out the hot and cold supply lines into bucket before tub filler hook-up. If debris is flushed into tub filler, this can cause a number of problems: No water flow from spout, clogged spout aerator, clogged hand shower diverter, no flow to hand shower or clogged/damaged cartridges.
5. Slip metal and rubber washers onto tops of hot and cold valve threads and thread hex mounting nuts clockwise on top of valve threads enough to allow a few threads to stick above mounting surface when valves are placed up through mounting holes.

6. Place threaded hot and cold valve bodies up through bottom of mounting holes and tighten nuts clockwise until valves are mounted snug to surface. (Allow a few threads to stick up from counter for escutcheon threading.)
7. Place rubber washers under valve mounting escutcheons and thread valve mounting escutcheons clockwise onto hot and cold valve threads protruding above surface until snug.
8. Make sure ½ turn ceramic cartridges are firmly threaded clockwise down into clean, debris free hot and cold valve bodies. (Do not over tighten as this may damage cartridge seals.)

**For cross handles:**

9. Thread bell housings for 3033 or pyramid bodies for 3633 clockwise onto hot and cold cartridges until snug.
10. Insert finished cartridge stems through bell housings or pyramid bodies onto cartridge stems.
11. Insert handle washers and handle screws into handle tops and thread clockwise until snug.
12. For old style cross handles on 3033, place double sided adhesive sponge tape into center of handle, then stick ceramic hot and cold inserts on tape.
13. For 3633 and new style cross handles on 3033, place a small amount of plumber's grease on ceramic insert finial o-rings, then press hot and cold inserts firmly into cross handle tops.

**For round Pompadour handles:**

14. Thread bell escutcheons onto hot and cold valve brass nuts until snug.
15. Snap white plastic spline tabs onto cartridge stems and secure with slotted brass screws.
16. Place a small amount of plumber's grease deep inside of round handle openings to ease insertion of handles over white plastic spline tabs.
17. Press handles firmly onto white tabs until secure. (It may be necessary to carefully use a rubber mallet to tap handles onto tabs.)

**Spout body installation:**

18. Unthread top pop-up rod knob counter-clockwise and set aside.
19. Unthread finished diverter rod ring below knob counter-clockwise and set aside.

20. There is a small round brass nut with a rubber o-ring sitting in the top threaded part of the spout. Pull it out and set aside.
21. Unthread T-diverter assembly top nut counter-clockwise from spout mounting thread and pull complete diverter rod and T-diverter assembly out from bottom of spout assembly and set aside.
22. Unthread mounting hex nut counter-clockwise and remove rubber washer with metal ring from spout mounting thread.
23. Place rubber mounting washer under spout escutcheon and set spout assembly into mounting hole.
24. Slip metal ring and rubber washer with cup side of metal washer facing up with rubber washer in top up onto spout thread and thread hex mounting nut clockwise onto spout mounting thread until spout assembly is snug to counter surface.
25. Slip pop-up rod assembly rod first back up through center of spout assembly and thread diverter top nut with  $\frac{3}{4}$ " washer seated in it clockwise back onto spout thread until snug.
26. Insert the small round brass nut from stem #20 with narrow sleeve first over top of pop-up rod and back into top of spout threads until it sits firmly on its rubber o-ring.
27. Thread finished diverter rod clockwise back onto top of spout threads until snug.
28. Thread pop-up rod knob clockwise back onto spout threads until snug.
29. Ensure diverter rod moves freely up and down a slight distance
30. Attach flexible hoses between male spout diverter connections and male valve side connections clockwise until snug. (Ensure the hose washers are in place before attaching.)
31. Attach  $\frac{1}{2}$ " female hot and cold fittings properly to hot and cold  $\frac{1}{2}$ " male threaded tub set adapters under counter or tub shelf.

### **Hand shower install:**

32. To install hand shower, attach round brass threaded stem to underneath counter or tub shelf by threading brass mounting hex nut clockwise over round brass stem approximately 1".
33. Slide rubber washer and metal trim over top of round brass stem, ensuring cup side of metal washer placed in it is facing up under counter or tub shelf.
34. Lay rubber escutcheon washer under finished hand shower escutcheon and place over 1  $\frac{1}{4}$ " hand shower hole in counter.

35. Thread round brass stem clockwise up into finished hand shower escutcheon until threads are almost even with top of escutcheon.
36. Tighten assembly by threading hex mounting nut up clockwise until escutcheon assembly is snug to surface.
37. Slip the hand shower hose up through the round brass threaded stem and thread the hand shower end of the hose clockwise onto the hand shower elbow by hand until snug. (Be sure to have hand shower hose washer installed in hose before attaching.) Set hand shower into escutcheon and ensure it sits securely.
38. Attach other end of hand shower hose with back flow preventer onto bottom of tub filler male end by threading on clockwise by hand until snug. (Be sure to have hand shower hose and back flow preventer washers installed in hose and back flow preventer before attaching.)

**Tub set and hand shower test:**

39. Ensure hot and cold handles on tub set are in the off position-turned fully clockwise.
40. Turn the hot and cold water supply lines on slowly and ensure there are no leaks anywhere on or around tub set or hand shower.
41. Turn the hot and cold handles of tub set on counter-clockwise and ensure a clean, steady flow of water from the tub spout.
42. Pull up diverter knob of tub spout and ensure a clean, steady flow of water from the hand shower and water flow from the spout stops.
43. Push diverter knob back down on top of tub spout and ensure water flow to tub spout goes back to full flow.
44. Turn hot and cold handles on tub set to off. Tub set and hand shower are now successfully installed.

**Finish and care instructions for your tub sets with hand showers can be found at the following link:**

<https://herbeau.com/CleaningAll.pdf>

**Specification sheets for your tub sets with hand showers can be found at the following links:**

<https://herbeau.com/2237%20Pompadour%20Roman%20Tub%20Set.pdf>

<https://herbeau.com/2244%20Pompadour%20Personal%20Hand%20Shower.pdf>

<https://herbeau.com/3033%20Royale%20Roman%20Tub%20Set%20Four%20Hole%20Deck%20Mounted.pdf>

<https://herbeau.com/3633%20Monarque%20Roman%20Tub%20Set%204-Hole%20Deck%20Mounted.pdf>

**2258, 3041, 3046 and 3646 installation instructions**  
**Installation of these slide bars with hand showers must be performed by an experienced, licensed plumber for proper installation and warranty**

**Installation of these slide bars with hand showers in a marine/outdoor environment will void the warranty**

**Tools needed:**

Power drill  
Measuring tape or ruler  
Pencil  
Pliers  
Teflon tape  
Adjustable wrench  
Clean rags  
Bucket

**Slide bar with hand shower prep and installation:**

1. Measure out area on the shower wall where the slide bar will be mounted. All shower bars are approximately 24" long and center of mounting escutcheons to center of mounting escutcheons measure 23 5/8" on 2258 and 3041. 3046 and 3646 measure 23 1/2" center to center on mounting escutcheons. Please verify these measurements on the available specification sheets.
2. Based on the wall escutcheon center to center measurements, attach supplied round mounting brackets to wall with supplied screw anchor kits.
3. Attach bottom escutcheon to bottom mounting bracket nipple groove first. Escutcheons are attached to mounting bracket nipple grooves with supplied set screws.
4. Slip shower bar hand shower bracket assembly onto shower bar, then slide bottom of shower bar into bottom escutcheon cup.
5. Attach top escutcheon to top of shower bar and secure top escutcheon to top mounting bracket nipple groove with supplied set screw.
6. If installing 2258, 3046 or 3646, ensure there is a proper 1/2" male stub-out water supply line to attach 1/2" female supply shower elbow to. Estimate distance of wall supply line from shower bar based on the length of reach for the 5' hand shower hose.

7. To avoid possible damage to your hand shower and voiding your warranty, flush out wall supply line into bucket before hand shower hook-up. If debris is flushed into hand shower, this can cause internal damage to the hand shower or plug up the hand shower spray holes.
8. Slide supply elbow escutcheon over supply line elbow then thread elbow clockwise properly onto ½” male wall stub-out until secure.
9. Ensure there are supplied hose washers installed in both ends of hand shower hose and attach tapered end of hose clockwise onto hand shower by hand until snug. Thread other end clockwise onto wall supply line by hand until snug.

**Hand shower test:**

10. Turn on supply line to hand shower and ensure a clean, steady flow of water from hand shower and there are no leaks on or around hose connections or hand shower. Slide bar with hand shower is now successfully installed.

**Finish and care instructions for your slide bars with hand showers can be found at the following link:**

<https://herbeau.com/CleaningAll.pdf>

**Specification sheets for your slide bars with hand showers can be found at the following links:**

<https://herbeau.com/2258%20Pompadour%20Shower%20Combination%20on%20Sliding%20Bar.pdf>

<https://herbeau.com/3041%20Royale%20Slide%20Bar%20with%20Hand%20Spray.pdf>

<https://herbeau.com/3046%20Royale%20Slide%20Bar%20with%20Hand%20Spray%20and%20Wall%20Elbow.pdf>

<https://herbeau.com/3646%20Monarque%20Slide%20Bar%20with%20Personal%20Hand%20Spray%20and%20Wall%20Elbow.pdf>

## 2277 TRIM INSTALLATION

### TOOLS NEEDED:

Slotted Screwdriver      Rubber Mallet

Phillips Screwdriver

Small Adjustable Wrench

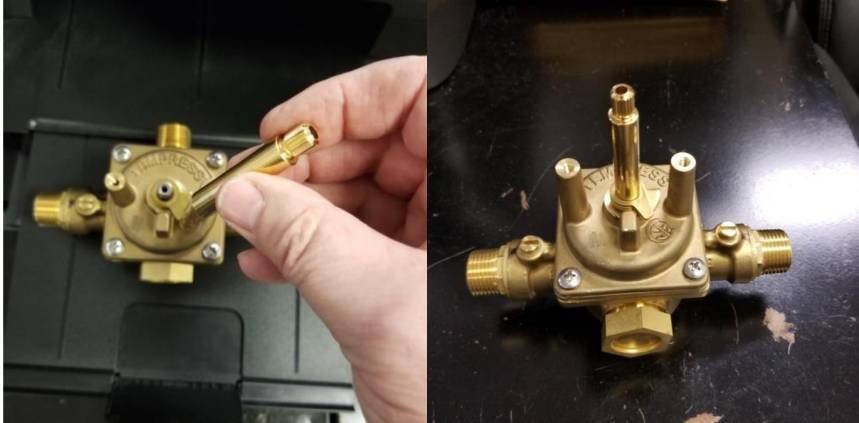
1. Remove black plastic wall guide from 2277-R valve and set aside:



2. Remove #2 white plastic stem from rough with Phillips screwdriver and set aside:



3. Take #10 handle stem and press onto valve center nipple:



4. Take #1 plate and place it over #10 handle stem onto valve with counter-sink holes and all-thread facing up. Secure it snug to the valve with (2) #2 slotted screws:



5. Take #3 wall plate and place it over valve with Froid (cold) and Chaud (hot) aligned horizontally with cold and hot valve inlets:



6. Take #9 locking nut and thread onto #1 plate all-thread to secure #3 wall plate to valve. Tighten # 9 locking nut with adjustable wrench taking care to keep Froid and Chaud aligned with inlets:



7. Install #4 nylon separator onto #10 handle stem.



8. Slip #8 washer onto #6 slotted screw and insert #6 slotted screw into center of #4 nylon separator and secure snug with slotted screwdriver.



9. Take #7 handle and place over #4 nylon separator and press handle tightly or, if necessary tap it onto #4 nylon separator with rubber mallet until it is securely fastened.



10. Trim is now installed.

## **2401 installation instructions**

**Installation of this faucet must be performed by an experienced, licensed plumber for proper installation and warranty**

**Installation of this faucet in a marine/outdoor environment will void the warranty**

### **Tools needed:**

Power drill or hole saw  
Measuring tape or ruler  
Pencil  
Pliers  
Teflon tape  
Adjustable wrench  
Clean rags  
Plumber's grease  
Bucket

### **Faucet prep and installation:**

1. Locate the proper height and placement for mounting the faucet on the wall.
2. Ensure there are proper ½" hot and cold male fittings to connect to the faucet ½" female rough fittings.
3. Ensure there are proper hot and cold shut-off valves within reach of the faucet, if possible, for emergency shut-off and maintenance.
4. To avoid possibly damaging your faucet and voiding your warranty, be sure to flush out the hot and cold supply lines into bucket before faucet hook-up. If debris is flushed into faucet, this can cause a number of problems: No water flow from spout, clogged spout aerator or clogged/damaged cartridges.
5. To prepare faucet for installation, remove T-rough and hot and cold roughs from box. (Everything unthreads counter-clockwise and threads back together clockwise.)
6. Attach either hot or cold valve roughs properly to hot or cold supplies first. Attach T-rough to first valve and then install second valve to the other supply and T-rough properly.
7. Thread central spout threaded stem #10 onto #11 T-rough properly. (If necessary, use Teflon tape on threads or solder connections as they are straight threads.)

8. Slip #9 spout escutcheon onto threaded end of #8 spout base and thread #8 spout base with spout assembly onto #10 threaded stem until secure. (If necessary, use Teflon tape on threads or solder connections.)
9. Hot and cold finished valve assemblies normally come assembled but if they are not, then thread #26 hot and cold ceramic cartridges into #29 valves clockwise until snug.
10. Slip #25 stems over #26 cartridge stems.
11. Thread #21 stems clockwise onto #26 cartridges until snug.
12. Thread #24 nuts clockwise onto #21 stems.
13. Ensure #23 rubber o-ring is inserted correctly into #22 finished trim housing.
14. Thread #22 trim housing onto outer thread of #24 nuts.
15. Slip #20 finished stems over #25 stems.
16. Slip #19 stem escutcheons over #22 trim housings.
17. Attach #17 wood handle bases to #20 finished stems with #18 handle screw until snug. Note: Off position for handles is in horizontal position.

**Faucet test:**

18. Ensure hot and cold handles on faucet are in the horizontal-off position.
19. Turn the hot and cold water supply lines on slowly and ensure there are no leaks on or around faucet.
20. Turn faucet hot and cold water handles on by turning to up position and ensure a clean, steady stream of water from faucet spout.
21. Turn faucet hot and cold water handles off by turning down to horizontal position. Faucet is now successfully installed.

**Finish and care instructions for your faucet can be found at the following link:**

<https://herbeau.com/CleaningAll.pdf>

**3003, 3022 and 3603 installation instructions**  
**Installation of these faucets must be performed by an**  
**experienced, licensed plumber for proper installation and**  
**warranty**

**Installation of these faucets in a marine/outdoor environment**  
**will void the warranty**

**Tools needed:**

Power drill

Measuring tape or ruler

Pencil

Pliers

Adjustable wrench

Clean rags

Plumber's grease

Bucket

**Faucet prep and installation:**

1. Drill out two holes in counter with a diameter of 1 ¼" each, spaced 8" apart center to center of each hole on 3603 model and between 6" – 8" apart center to center of each hole on the 3003 and 3022 models as these are adjustable from 6" – 8". (Ensure placement of holes takes into account the specific reach of each faucet spout.)
2. Ensure there are appropriate ½" female hot and cold water shut-offs installed below sink to connect to the ½" threaded male connections on faucet valves.
3. To avoid possibly damaging your faucet and voiding your warranty, **"be sure to flush out the hot and cold supply lines"** into bucket before faucet hook-up. If debris is flushed into faucet, this can cause a number of problems: No water flow from spout, clogged spout aerator or clogged/damaged cartridges.
4. To prepare faucet for installation, unthread ½" adapters counter-clockwise (#27 for 3003 and 3022 or #16 for 3603.) and remove fiber washer, mounting hex nut, rubber washer and metal plate on hot and cold valve stem.
5. Position rubber washers under valve escutcheons and place faucet with stems over mounting holes. Slide stems through holes. (It may be necessary to adjust the position of the hot and cold valves on the 3003 and 3022 by loosening the #7 main body collars counter-clockwise

- and moving faucet to desired position.) Be sure to re-tighten the main body collars clockwise after adjustment.
6. Slip rubber washers and metal plates with cup side facing up over hot and cold stems under counter.
  7. Thread mounting nuts up onto threaded hot and cold stems clockwise until faucet is mounted securely to counter.
  8. Thread ½” adapters with washers back onto hot and cold stems clockwise until snug.
  9. Connect hot and cold lines to hot and cold valve ½” adapters and complete connections.

**Faucet test:**

10. Ensure hot and cold valves on faucets are in the off position, turned fully clockwise.
11. Slowly turn the hot and cold water supply lines on and ensure there are no leaks anywhere on or around faucet.
12. Turn hot and cold water handles to faucet on by turning counter-clockwise and ensure a clean, steady stream of water from the faucet spout.
13. Shut hot and cold water handles off by turning them clockwise. Faucet is now successfully installed.

**Finish and care instructions for your faucets can be found at the following link:**

<https://herbeau.com/CleaningAll.pdf>

**Specification sheets for your faucets can be found at the following links:**

<https://herbeau.com/3003%20Royale%20Two%20Hole%20Basin%20Mixer.pdf>

<https://herbeau.com/3022%20Royale%20Two%20Hole%20Kitchen%20Mixer.pdf>

<https://herbeau.com/3603%20Monarque%202-Hole%20Basin%20Set%20without%20Waste.pdf>

**3004 and 3023 installation instructions**  
**Installation of these faucets must be performed by an**  
**experienced, licensed plumber for proper installation and**  
**warranty**  
**Installation of these faucets in a marine/outdoor environment**  
**will void the warranty**

**Tools needed:**

Power drill or hole saw  
Measuring tape or ruler  
Pencil  
Pliers  
Teflon tape  
Adjustable wrench  
Clean rags  
Plumber's grease  
Bucket

**Faucet prep and installation:**

1. Locate the proper height and placement for mounting the faucet on the wall for a new installation.
2. These faucets do "not" have separate roughs. Ensure there are 1/2" nipples plumbed into the wall, spaced between 6" – 8" apart center to center. (Faucets are adjustable 6" – 8".)
3. The hot and cold diameter in the wall should be at least 3/4" but no more than 1 1/2" in diameter.
4. Ensure there are proper hot and cold shut-off valves within reach of the faucet if possible for emergency shut-off and maintenance.
5. To avoid possibly damaging your faucet and voiding your warranty, be sure to flush out the hot and cold supply lines into bucket before faucet hook-up. If debris is flushed into faucet, this can cause a number of problems: No water flow from spout, clogged spout aerator or clogged/damaged cartridges and future corrosion.
6. To prepare faucet for installation, unthread #10 main body hot and cold locking collars counter-clockwise. Take care not to lose #11 washers. Set central body aside.

7. Prep ½” male hot and cold nipples with Teflon tape or appropriate type of sealing product chosen for proper thread seal.
8. Place #18 escutcheons along with escutcheon rubber washers behind hot and cold valve bodies and thread hot and cold valves clockwise onto male nipples until secure and valve elbows are aligned correctly onto male nipples inboard toward spout.
9. Re-attach main body #11 to hot and cold valves by aligning valve elbows and threading #10 main body locking collars clockwise with #11 washers in place. Align until main body is properly aligned with valves and hand tighten collars until snug.

**Faucet test:**

10. Ensure hot and cold valves on faucet are in the off position.
11. Turn the hot and cold water supply lines on slowly and ensure there are no leaks anywhere on or around faucet.
12. Turn the hot and cold water handles on by turning counter-clockwise and ensure a clean, steady stream of water from the faucet spout.
13. Turn off hot and cold faucet handles clockwise. Faucet is now successfully installed.

**Finish and care instructions for your faucets can be found at the following link:**

<https://herbeau.com/CleaningAll.pdf>

**Specification sheets for your faucets can be found at the following links:**

<http://www.herbeau.com/3004%20Royale%20Two%20Hole%20Set%20Wall%20Mounted.pdf>

<http://www.herbeau.com/3023%20Royale%20Two%20Hole%20Kitchen%20Mixer%20Wall%20Mounted.pdf>

**3005, 3020, 4101, 4103, 4105, 4115, 4120, 4130, 4202, 4203 and  
4205 Installation instructions**

**Installation of these faucets must be performed by an  
experienced, licensed plumber for proper installation and  
warranty**

**Installation of these faucets in a marine/outdoor environment  
will void the warranty**

**Tools needed:**

Power drill

Measuring tape or ruler

Pencil

Pliers

Adjustable wrench

Clean rags

Plumber's grease

Bucket

**Faucet prep and installation:**

1. Cut one 1 1/4" hole in counter with the exception of the 4120, which requires one 1 3/8" counter hole drilling for the faucet body.
2. Ensure there are hot and cold lines with 3/8" male fittings to connect to the hot and cold 3/8" flexible female supply hoses on faucet.
3. Ensure there are hot and cold shut-off valves within reach of the faucet if possible for emergency shut-off and maintenance.
4. To avoid possible damage to your faucet and voiding your warranty, be sure to flush out the hot and cold supply lines into bucket before faucet hook-up. If debris is flushed into faucet, this can cause a number of problems: No water flow from spout, clogged spout aerator or clogged/damaged cartridges.
5. Remove faucet mounting hardware by unthreading mounting nuts counter-clockwise, then remove mounting plate, washers and gasket.
6. Position faucet over counter hole and slip hoses and mounting rod or rods carefully through hole. Position rubber gasket between faucet escutcheon and counter.
7. Underneath counter, slide mounting plate and washers back onto mounting rod or rods and thread mounting nut or nuts back onto mounting rod or rods clockwise until faucet is secure.

8. Thread hot and cold flexible faucet supply line hoses clockwise onto hot and cold water supply lines.
9. Please be aware that 4103 Estelle faucet handle assembly can be repositioned to four different positions by unthreading the #1 and #2 handle top finial assembly and lifting the handle assembly off of the top of the #86 cartridge stem. The handle can then be mounted at the 3, 6, 9 and 12 o'clock positions. When mounted at the desired position, thread #1 and #2 finial back through the top of the handle assembly clockwise and into top of #86 cartridge stem until snug.

**Faucet test:**

10. Ensure lever or cross handles on faucet are in the off position.
11. Turn the hot and cold water supply lines on and ensure there are no leaks on or around faucet.
12. Turn faucet lever or cross handles on and ensure a clean, steady flow of water from spout.
13. Shut faucet lever or cross handles off. Faucet is now successfully installed.

**YEARLY MAINTENANCE**

We recommend that once a year, on the 4101 faucet that the cartridge nut is removed once a year and the threads on the nut and body be cleaned and re-lubricated with Anti Seize or Plumbers grease. This will help ensure that the threads do not seize up due to calcium build-up.

**Finish and care instructions for your faucets can be found at the following link:**

<https://herbeau.com/CleaningAll.pdf>

**Specification sheets for your faucets can be found at the following links:**

<https://herbeau.com/3005%20Royale%20Single%20Hole%20Basin%20Mixer.pdf>

<https://herbeau.com/3020%20Royale%20Single%20Hole%20Kitchen%20Mixer.pdf>

<https://herbeau.com/4101%20De%20Dion%20Single%20Lever%20Mixer.pdf>

<https://herbeau.com/4103%20Estelle%20Single%20Lever%20Mixer.pdf>

<https://herbeau.com/4105%20Flamande%20Single%20Lever%20Mixer.pdf>

<https://herbeau.com/4120%20Royale%20Single%20Lever%20Mixer.pdf>

<https://herbeau.com/4130%20Monarque%20Single%20Lever%20Mixer.pdf>

<https://herbeau.com/4202%20Ostende%20Single%20Hole%20Mixer.pdf>

<https://herbeau.com/4203%20Namur%20Single%20Hole%20Mixer.pdf>

<https://herbeau.com/4205%20Valence%20Single%20Hole%20Mixer.pdf>

## **3021 installation instructions**

**Installation of this faucet must be performed by an experienced, licensed plumber for proper installation and warranty**

**Installation of this faucet in a marine/outdoor environment will void the warranty**

### **Tools needed:**

Power drill

Measuring tape or ruler

Pencil

Pliers

Adjustable wrench

Clean rags

Plumber's grease

### **Faucet prep and installation:**

1. Cut two 1 ¼" diameter holes in counter for valves, spaced between 8" – 25" center to center of holes and one 1 ¼" hole in the middle for the spout body. (Due to faucets having flexible valve to spout hoses, these faucets can have an 8" – 25" spread.)
2. Ensure there are proper hot and cold lines with ½" female connections to connect to the hot and cold valves.
3. Ensure there are hot and cold shut-off valves within reach of the faucet if possible for emergency shut-off and maintenance.
4. To avoid possible damage to your faucet and voiding your warranty, be sure to flush out the hot and cold supply lines into bucket before faucet hook-up. If debris is flushed into faucet, this can cause a number of problems: No water flow from spout, clogged spout aerator or clogged/damaged cartridges.
5. Place threaded hot and cold valve bodies in counter by tightening valve mounting nut snug with metal and rubber washer in between nut and underside of counter. (Allow a few threads to stick up from counter.)
6. Place rubber washers under valve mounting escutcheons and thread valve threads above counter until snug.
7. Make sure ½ turn ceramic cartridges are firmly threaded clockwise into hot and cold valve bodies until snug.
8. Thread bell housings clockwise onto hot and cold cartridge threads until snug.

9. Insert finished cartridge stems through bell housings and onto cartridge nipples.
10. Slip cross handles over handle stem nipples.
11. Inset washers and handle screws into cross handle tops and thread clockwise until snug.
12. For old style cross handle inserts, place double sided adhesive tape into center of handles, then stick ceramic hot and cold inserts onto adhesive tape.
13. For new style cross handle inserts, place a small amount of plumber's grease on finial ceramic insert o-rings and press hot and cold finial inserts into center cavity of cross handle tops. These are interchangeable into all cross handle Royale faucets that originally had the adhesive tape inserts.
14. Thread spout body clockwise into top of spout escutcheon and thread #30 spout threaded stem clockwise up into bottom of spout escutcheon.
15. Place rubber washer under spout escutcheon and place spout assembly into center hole.
16. Secure spout assembly with mounting hardware and T-connector under counter. Ensure #37 o-ring and #38 brass nuts are installed securely to the bottom of the threaded mounting stem or faucet could leak in this area.
17. Thread flexible hoses onto spout and valve male connections clockwise until snug. (Ensure the hose washers are in place in both ends before attaching hoses.)
18. Attach hot and cold fittings properly to hot and cold ½" threaded adapters under counter.

**Faucet test:**

19. Ensure hot and cold valves on faucet are in the off position.
20. Turn the hot and cold water cross handles on by turning counter-clockwise and ensure a clean, steady flow of water from the faucet spout.
21. Shut hot and cold handles off. Faucet is now successfully installed.

**Finish and care instructions for your faucet can be found at the following link:**

<https://herbeau.com/CleaningAll.pdf>

**Specification sheets for your faucet can be found at the following link:**

<http://www.herbeau.com/3021%20Royale%20Three%20Hole%20Kitchen%20Mixer.pdf>

**3024-4214 installation instructions**  
**Installation of this faucet must be performed by an**  
**experienced, licensed plumber for proper installation and**  
**warranty**  
**Installation of this faucet in a marine/outdoor environment will**  
**void the warranty**

**Note: Before 2011, this was the only Herbeau kitchen faucet that had a hand spray activated by a pull-up knob on faucet instead of lever or push button on hand spray. Button or lever was fixed in place. This is now activated like all other Herbeau kitchen faucets with hand sprays as the hand spray activates by pressing hand spray lever.**

**Tools needed:**

Power drill  
Measuring tape or ruler  
Pencil  
Pliers  
Adjustable wrench  
Clean rags  
Plumber's grease  
Bucket

**Faucet prep and installation:**

1. Cut two 1 ¼" diameter holes in counter for valves, spaced between 8" – 25" center of holes and one 1 ¼" hole in the middle for the spout body. (Due to faucets having flexible valve to spout hoses, these faucets can have an 8" – 25" spread.)
2. Cut one 1 ¼" diameter hole in counter for the hand spray, taking into account the length of the 48" hand spray hose for distancing of hole.
3. Ensure there are hot and cold lines with ½" female connections to connect to the hot and cold lines.
4. Ensure there are hot and cold shut-off valves within reach of the faucet if possible for emergency shut-off and maintenance.
5. To avoid possible damage to your faucet and voiding your warranty, be sure to flush out the hot and cold supply lines into bucket before

- faucet hook-up. If debris is flushed into faucet, this can cause a number of problems: No water flow from spout, clogged spout aerator, clogged diverter, clogged hand spray aerator or clogged/damaged cartridges.
6. If not already done, please remove mounting hardware from hand spray, valves and spout assembly. The mounting hardware consists of #14 brass nuts, #11, #12, and #53 rubber and metal washers, #15, #30, #50 threaded stems and #35 diverter assembly.
  7. For 3024 faucets with black plastic diverter block, follow steps 8 and 9.
  8. Mount the spout assembly by placing the #11 rubber deck mounted washer under #29 spout escutcheon and place #29 escutcheon on deck over spout hole.
  9. Re-attach #35 black plastic diverter block assembly connection marked 3/8" G to main threaded supply line, attach braided supply line hoses to #40 brass diverter T that is attached to connection on black block marked 1/2" G and attach hand spray hose to connection on black block marked M15x1. Thread all connections until snug.
  10. For 3024 faucets before 2011 proceed with the following steps 11-22.
  11. Unthread #20 diverter knob counter-clockwise and set aside.
  12. Unthread #22 diverter ring counter-clockwise and set aside.
  13. Pull small brass plug out of top of #28 main body and set aside.
  14. Unthread #35 diverter top nut counter-clockwise and pull diverter rod assembly out of main body from the bottom.
  15. Mount the spout assembly by placing the #11 rubber deck mounted washer under #29 spout escutcheon and place #29 escutcheon on deck over spout hole.
  16. Thread the #30 threaded stem clockwise from below the counter into the base of the #29 escutcheon until secure.
  17. Underneath the counter, slide #12 metal and rubber washers over #30 threaded stem from the bottom and thread #14 mounting nut clockwise up onto bottom of #30 until spout assembly is snug.
  18. Slide diverter rod assembly back up through center of main body from the bottom and thread #35 diverter nut clockwise back onto bottom of #30 stem until secure.
  19. Press the small brass plug back over top of #21 diverter rod into top of #28 body with black rubber o-ring on plug facing down until snug.
  20. Thread #22 collar clockwise onto top of #28 body until snug.
  21. Thread #20 diverter knob clockwise onto top of #21 diverter rod until secure.

22. Ensure diverter rod moves up and down freely.
23. The balance of the instructions is for both new and old versions of the 3024.
24. Mount hot and cold valves to counter by first placing #11 rubber washers under #10 mounting escutcheons and place over holes in counter.
25. Thread #14 mounting nuts clockwise onto top of #15 threaded valves approximately 1" and slip #12 metal and rubber washers on top of #14 nuts.
26. Thread valves clockwise underneath counter up into #10 escutcheons and tighten #14 nuts clockwise until assemblies are tight to counter.
27. Ensure #17, 1/2" adapters with #18 washers placed in tops are threaded clockwise onto bottom of #15 threaded valves until snug.
28. Place #18 washers into ends of #19 flexible supply lines and thread the supply lines clockwise by hand onto #15 valves and #40 T of #35 diverter assembly.
29. To mount the hand spray assembly, place #11 or #53 rubber washer under #9 or #10 hand spray escutcheon and place over hand spray hole in counter.
30. Thread #14 nut clockwise onto top of #50 hand spray stem approximately 1" and slip #12 metal and rubber washers over #14 nut with #12 metal cup facing up with #12 rubber washer set on top of #12 cup.
31. Thread #50 hand spray stem clockwise up into #9 or #10 hand spray escutcheon until #50 is a couple of threads within top of #9 or #10 escutcheon.
32. Thread #14 nut clockwise up under counter on #50 stem until hand spray assembly is snug to counter.
33. Place #37 washers into both ends of #36 hand spray hose and thread one end clockwise by hand onto M15 X 1 connection on bottom of #35 diverter assembly until snug. Feed other end up through #50 hand spray stem and thread clockwise by hand onto #45 or #54 hand spray elbow until snug.
34. Set hand spray handle assembly into hand spray holder and ensure hand spray handle sits securely into hand spray holder.
35. Properly attach 1/2" hot and cold supply lines to 1/2" hot and cold faucet adapters.

**Faucet test:**

36. Ensure hot and cold handles on faucet are in the clockwise, off position and #20 diverter knob for the pre-2011 faucet is in the down position.
37. Turn hot and cold water supplies on.
38. Ensure there are no leaks on or around faucet or hand spray.
39. Slowly turn hot and cold handles on faucet to on position by turning counter-clockwise.
40. Ensure there is a clean, steady stream of water coming from the spout.
41. For pre-2011, 3024 faucet, pull up #20 hand spray diverter knob on faucet spout. For new lever style hand spray after 2011, press lever on hand spray and ensure there is a clean, steady flow of water from the hand spray aerator and water flow from the spout stops.
42. Push #20 diverter knob back down or release lever on hand spray and confirm water flow from hand spray stops and water flow to spout resumes.
43. Turn hot and cold knobs off by turning clockwise. Faucet is now successfully installed.

**To view cleaning and maintenance instructions for your faucet, please use the following link:**

<https://herbeau.com/CleaningAll.pdf>

**To view specification sheets for your faucet, please use the following link:**

<http://www.herbeau.com/Specs/3024.pdf>

<http://herbeau.com/4214%20Lille%204%20Hole%20Deck%20Mounted%20Kitchen%20Mixer%20with%20Hand%20Spray.pdf>

**Troubleshooting, removal and replacement for #35, 3024 diverter:**

**Tools needed:**

Adjustable wrench  
Bucket  
Clean rags  
10mm Allen wrench  
Rubber gloves

**Caution:**

Prior to starting, ensure that the hot and cold stop valves are in the OFF position. Drain the faucet by opening the hot and cold side handles. There will be residual water left in the faucet and the hoses leading to the diverter.

**Instructions for brass, pre 2011 diverter:**

1. First, place a bucket under sink to catch all residual water.
2. Using an adjustable wrench, loosen the two braided lines that run to the #35 diverter kit. Make sure to retain the o-rings.
3. Once removed, drain the lines into a bucket to remove all residual water.
4. With an adjustable wrench, remove the sprayer braided hose from the bottom of the #35 diverter using the same method as in step 2.
5. Next, loosen the diverter counter-clockwise by holding the top decorative knob of the faucet and using a 10mm Allen wrench on the bottom of the diverter, loosen diverter counter-clockwise.
6. With an adjustable wrench, loosen the top of the diverter.
7. Holding the decorative knob, pull down on the loosened diverter, then with some downward pressure, turn the diverter counter-clockwise to unthread the plunger from the diverter.
8. Once unthreaded, pull the assembly out and replace with a new #35 diverter assembly by reversing the process documented above.

**Instructions for new black plastic diverter:**

1. First, place a bucket under the sink to catch all residual water.
2. Using an adjustable wrench, loosen and remove the two braided lines counter-clockwise that run to the brass "T" attached to the side of the black plastic diverter block.
3. Once removed, drain the lines into a bucket to remove all residual water.
4. Unthread the hand spray hose counter-clockwise that's attached to the male threaded fitting attached to the other end of the black plastic diverter block marked M15 x 1.
5. Unthread the black plastic diverter block with brass fitting counter-clockwise from the main threaded water feed line on the bottom of the faucet.
6. Once removed, replace the new black plastic diverter block and brass fittings by reversing steps 1-5.



### **Installation of 3027/3027P Royale faucets**

**Installation of these faucets must be performed by an experienced, licensed plumber for proper installation and warranty**

**Installation of these faucets in a marine/outdoor environment will void the warranty**

#### **Tools needed:**

Power drill

Measuring tape or ruler

Pencil

Pliers

Adjustable wrench

Clean rags

Plumber's grease

Bucket

#### **Faucet prep and installation:**

1. Drill out two holes in the counter with a diameter of 1 3/4" each, spaced 8" apart, center of each hole to center of each hole for hot and cold valve installation.
2. Drill out 1 1/4" hole in counter for hand spray. (Bear in mind that hand spray hose is approximately 48" long for proper distance of hand spray to faucet.)
3. Ensure there are appropriate 3/8" hot and cold male connections with shut-off valves underneath counter for connecting to faucet's 3/8" x 12" hot and cold braided supply lines.
4. To avoid possibly damaging your faucet and voiding your warranty, be sure to flush out hot and cold supply lines into bucket before faucet hook-up to ensure no debris is flushed into faucet. If debris is flushed into faucet, this can cause a number of problems: No water flow from spout, no water flow from hand spray, clogged/damaged diverter or clogged/damaged cartridges.
5. To prepare faucet for installation, unthread #34 hot side hex nut counter-clockwise from hot side #32 elbow and #34 cold side hex nut counter-clockwise from cold side #32 elbow. (Be careful not to lose #33 washers as they may fall out after unthreading hex nuts.)
6. Unthread #32, 90 degree elbows by unthreading counter-clockwise.
7. Thread #31 round smooth brass connectors up counter-clockwise to expose #28 black rubber o-rings.
8. Carefully slide #28 rubber o-rings off of #27 threaded supply lines and set aside for now.
9. Unthread #31 round smooth brass connectors counter-clockwise to remove and set aside for now.
10. Unthread #30 hex mounting nuts counter-clockwise and set aside for now.
11. Pull off #29 black or brass horseshoe mounting brackets with washers and set aside.
12. Unthread the hot and cold diverter supply line hoses counter-clockwise from #36 T-connector.
13. Slip all supply line hoses and threaded supply line rods through pre-drilled mounting holes in counter, being careful not to damage any lines or rods.
14. Center faucet valves on counter holes with #23 rubber washers placed underneath valves and slide mounting brackets back up onto threaded supply lines. Thread

- #30 nuts clockwise back onto #27 threaded supply lines and tighten down so faucet is secure. Ensure #10 main body is parallel in line with both hot and cold bodies and adjust parallel, then tighten nuts clockwise until snug.
15. Thread #31 round brass connectors clockwise up past the o-ring notches on #27 threaded supply lines.
  16. Slip #28 rubber o-rings into their notches on #27 threaded supply lines.
  17. Thread #32 elbows clockwise onto #27 rods up to where #28 o-rings sit. At this point, tighten #31 round brass connectors and #32 elbows together so #28 o-rings are securely pinched between both connectors. #32 elbow's male threads must be pointed toward #34 nuts and at a 90 degree angle to the #34 T-connector for proper alignment.
  18. Ensuring #33 washers are in place between #32 and #34, position #34 hex nuts carefully over #32 elbows and thread clockwise until snug.
  19. Thread #25 hot and cold inlet supply lines clockwise back onto #36 T-connector until snug, ensuring #26 washers are in place.
  20. Thread #24 hot and cold inlet supply lines clockwise onto hot and cold water supplies.

#### **Hand spray installation:**

21. To install hand spray, attach #50 brass threaded stem underneath counter by threading #51 nut clockwise over #50 stem approximately 1”.
22. Slip #52 rubber washer and metal trim over top of #50 stem, ensuring cup side of metal washer is facing up.
23. Lay #53' rubber washer under #53 finished hand spray escutcheon and place over hand spray hole in counter.
24. Thread #50 stem up beneath counter into #53 finished hand spray escutcheon until #50 stem is secure.
25. Tighten assembly by threading #51 nut clockwise until escutcheon assembly is secure.
26. Ensure there is a #35 washer in the end of the #48 hand spray hose before attaching. Take one end of the #48 hand spray hose and feed it up through the hand spray threaded stem and escutcheon and thread clockwise onto bottom of hand spray elbow until snug. Set hand spray into escutcheon and ensure it sits in the escutcheon securely.
27. Attach other end of hand spray hose to #46 backflow preventer if used on faucet and thread the completed hose assembly onto the bottom of the hand spray until snug. Ensure there is a #35 washer between the hose and the #46 backflow connector and #91 diverter block. (New style lever hand sprays incorporate back flow preventers inside of them so there will be no need for a hose mounted backflow preventer on these.)

#### **Faucet and hand spray test:**

28. Ensure hot and cold valves on faucet are in the off position.
29. Turn the hot and cold water supply lines on slowly and ensure there are no leaks anywhere on or around faucet or hand spray.

30. Turn the hot and cold faucet handles to on position and ensure a clean, steady flow of water from the faucet spout.
31. Activate hand spray by either pushing hand spray button or lever, depending on model and ensure a clean, steady flow of water from the hand spray nozzle and water flow from the faucet spout stops.
32. Release button or lever on hand spray and ensure water flow at the faucet spout resumes.
33. Shut faucet hot and cold handles off. Faucet is now successfully installed.

**Finish and care instructions for your faucets can be found at the following link: <https://herbeau.com/CleaningAll.pdf>**

**Specification sheets for the 3027/3327 can be found at the following links: <https://herbeau.com/3027%20Royale%20Two%20Hole%20Basin%20Mixer%20With%20Hand%20spray.pdf>**

**<https://herbeau.com/3027P%20Royale%20Two%20Hole%20Kitchen%20Mixer%20with%20Hand%20Spray.pdf>**

## **3029 INSTALLATION INSTRUCTIONS**

**INSTALLATION OF THIS FAUCET MUST BE PERFORMED BY AN EXPERIENCED, LICENSED PLUMBER FOR PROPER INSTALLATION AND WARRANTY**  
**INSTALLATION OF THIS FAUCET IN A MARINE/ OUTDOOR ENVIRONMENT WILL VOID THE WARRANTY**

### TOOLS NEEDED:

POWER DRILL OR HOLE SAW  
MEASURING TAPE OR RULER  
PENCIL  
PLIERS  
TEFLON TAPE  
ADJUSTABLE WRENCH  
CLEAN RAGS  
PLUMBER'S GREASE  
BUCKET

### **FAUCET PREP AND INSTALLATION:**

1. LOCATE PROPER POSITION ON WALL TO MOUNT POT FILLER, TAKING INTO ACCOUNT A TOTAL REACH WHEN FULLY EXTENDED OF APPROXIMATELY 21" AND PROPER HEIGHT OF SPOUT FOR FILLING POTS (FROM TOP OF CROSS HANDLE TO BOTTOM OF SPOUT AERATOR IS 5 3/4".)
2. ENSURE THERE IS PROPER PLUMBING AND STUB OUT FOR A MALE 1/2" NIPPLE FOR CONNECTION TO THE 1/2" FEMALE THREADED CONNECTION ON FAUCET.
3. WHEN CUTTING HOLE IN WALL, TAKE IN TO ACCOUNT THAT THE FAUCET ESCUTCHEON ONLY COVERS A DIAMETER OF 2 1/2" ON THE WALL.

4. IF POSSIBLE, ENSURE THERE IS A PROPER SHUT-OFF VALVE FOR THE WATER SUPPLY LINE GOING TO POT FILLER FOR EMERGENCY SHUT-OFF AND MAINTENANCE.
5. TO AVOID POSSIBLE DAMAGE TO YOUR FAUCET AND VOIDING YOUR WARRANTY, BE SURE TO FLUSH OUT THE SUPPLY LINE INTO BUCKET BEFORE FAUCET HOOK-UP. IF DEBRIS IS FLUSHED INTO FAUCET, THIS CAN CAUSE A NUMBER OF PROBLEMS: NO WATER FLOW FROM SPOUT, CLOGGED SPOUT AERATOR OR CLOGGED/DAMAGED CARTRIDGE.
6. TO THREAD MAIN VALVE BODY ON TO MALE STUB, IT MAY BE NECESSARY TO PARTIALLY DIS-ASSEMBLE SPOUT SWING OUT ASSEMBLY BY FOLLOWING THE NEXT STEPS.
7. UNTHREAD #19 ARM CAP COUNTER-CLOCKWISE AND REMOVE #18 FINISHED WASHER.
8. PULL #17 AND #21 ARM ASSEMBLY OFF OF #14 THREADED NIPPLE.
9. THREAD MAIN BODY #4 CLOCKWISE ONTO 1/2" MALE STUB OUT IN WALL WITH TEFLON TAPE ON MALE STUB OUT THREADS IF NECESSARY UNTIL SNUG AND PROPERLY ALIGNED.
10. RE-LUBRICATE #16 RUBBER O-RINGS WITH PLUMBER'S GREASE IF NECESSARY AND PUSH #17 AND #21 ARM ASSEMBLY BACK ONTO #14 THREADED NIPPLE UNTIL SNUG.
11. SLIP #18 FINISHED WASHER BACK ONTO #14 NIPPLE AND THREAD #19 ARM CAP CLOCKWISE ONTO #14 THREADED NIPPLE UNTIL ARM ASSEMBLY IS SNUG.
12. ENSURE ARM ASSEMBLY JOINTS WORK SMOOTHLY.

#### **FAUCET TEST:**

13. ENSURE #8 CROSS HANDLE IS TURNED COMPLETELY OFF CLOCKWISE.
14. TURN ON MAIN WATER SUPPLY TO FAUCET AND ENSURE THERE ARE NO LEAKS ON OR AROUND POT-FILLER.
15. TURN ON POT-FILLER BY TURNING CROSS HANDLE COUNTER-CLOCKWISE AND ENSURE A CLEAN, STEADY STREAM OF WATER FROM THE SPOUT.

16. TURN OFF POT-FILLER CROSS HANDLE. FAUCET IS NOW SUCCESSFULLY INSTALLED.

FINISH AND CARE INSTRUCTIONS FOR THE FINISH ON YOUR FAUCET CAN BE FOUND AT THE FOLLOWING LINK:

<https://herbeau.com/CleaningAll.pdf>

SPECIFICATION SHEETS FOR YOUR FAUCET CAN BE FOUND AT THE FOLLOWING LINK:

<https://herbeau.com/3029%20Royale%20Pot%20Filler.pdf>

**3032, 3901 and 3902 installation instructions**  
**Installation of these free-standing adduction pipes must be performed by an experienced, licensed plumber for proper installation and warranty**

**Installation of these free-standing adduction pipes in a marine/outdoor environment will void the warranty**

**Tools needed:**

Power drill  
Measuring tape or ruler  
Pencil  
Pliers  
Teflon tape  
Adjustable wrench  
Clean rags  
Bucket

**Free-standing adduction pipes prep and installation:**

1. These free-standing adduction pipes allow for the replacement and extension of the standard adduction pipes on Herbeau standard deck mounted tub fillers.
2. Ensure there are proper  $\frac{3}{4}$ " threaded male stub-out connections spaced  $6\frac{1}{2}$ " apart center to center in the deck for water flow and connection to the  $\frac{3}{4}$ " female threaded connections on the adduction pipes.
3. To avoid possible damage to your tub filler and voiding your warranty, be sure to flush out the hot and cold supply lines into bucket before adduction pipes and tub filler hook-up. If debris is flushed into tub filler, this can cause a number of problems: No water flow from spout, clogged spout aerator, clogged hand shower diverter, no flow to hand shower or clogged/damaged cartridges.

**Installation:**

4. Ensure the adduction pipes are set close enough to tub overflow drain pipe to allow connection of the T-bracket on the 3032 or the universal brackets on the 3901 and 3902 to the tub overflow pipe.
5. Remove and set aside the standard set of adduction pipes on the Royale tub filler that will be attached to the free-standing adduction pipes.

6. Slip the #2 finished nuts first and adduction pipe floor escutcheons next over the bottom of both adduction pipes.
7. Thread  $\frac{3}{4}$ " female connector kits and compression ring assemblies with  $\frac{3}{4}$ " fiber washers clockwise onto  $\frac{3}{4}$ " threaded male floor stub-out water connector connections until secure.
8. Ensure  $\frac{3}{4}$ " fiber washers are installed into top of  $\frac{3}{4}$ " female connection assemblies and thread both adduction pipes with #2 finished nuts clockwise onto connections until snug.
9. Ensure top adduction pipe off-sets are angled out toward tub and adduction pipe slide bracket tongues are facing inboard toward each other for proper T-bracket installation.
10. Attach 3032 T-bracket assembly with tongue connection or 3901/3902 universal T-bracket assembly with  $1\frac{1}{4}$ " or  $1\frac{1}{2}$ " diameter collar to slide bracket tongues between adduction pipes with included threaded stems and nuts.
11. For 3032 T-brackets, swing-out tongue #10 on T-bracket attaches to Herbeau 3034 or 3036 overflow pipes' top tongue connection with threaded stem slid through holes on ends of both tongues and secured with finished round nuts.
12. For 3901 and 3902 universal brackets, round #8,  $1\frac{1}{4}$ " or  $1\frac{1}{2}$ " diameter ring wraps around "other manufacturer's" overflow pipe. "Other manufacturer" overflow pipe must be either  $1\frac{1}{4}$ " or  $1\frac{1}{2}$ " outside diameter to attach universal brackets to.
13. Ensure  $\frac{3}{4}$ " fiber or rubber washers are installed into top of adduction pipes and thread adduction pipes clockwise into hot and cold valve connections on Herbeau tub filler until snug.

**Adduction pipe, tub set and hand shower test:**

14. Ensure hot and cold handles on main tub filler body are in the off position, turned fully clockwise.
15. Turn on main hot and cold supply lines to adduction pipes and tub filler. Ensure there are no leaks on or around tub filler or adduction pipes.
16. Turn tub filler hot and cold handles on counter-clockwise and ensure a clean, steady flow of water from spout.
17. Activate hand shower by depressing diverter plunger on top of main body and ensure a clean, steady flow of water from the hand shower and water flow from the spout stops. Pull up diverter and ensure water flow from the hand shower stops and full water flow to spout resumes.

18. Turn hot and cold handles off clockwise. Free-standing adduction pipes are now successfully installed.

**Finish and care instructions for your free-standing adduction pipes can be found at the following link:**

<https://herbeau.com/CleaningAll.pdf>

**Specification sheets for your free-standing adduction pipes can be found at the following links:**

<https://herbeau.com/3032%20Royale%20Free%20Standing%20Adduction%20Pipes.pdf>

<https://herbeau.com/3901%20Royale%20Free%20Standing%20Adduction%20Pipes.pdf>

<https://herbeau.com/3902%20Royale%20Free%20Standing%20Adduction%20Pipes.pdf>

**Free-standing adduction pipes can be special ordered with up to 4” off-sets at an additional cost. Standard off-set for free-standing adduction pipes is 1”. Please see special ordering forms following this:**



**Herbeau**  
L'Art du Sanitaire depuis 1857

Date: \_\_\_\_\_

I hereby agree, that this special order of the 3032\_\_\_ Royale riser pipes, are non returnable & cancelable.

Showroom name \_\_\_\_\_ PO # \_\_\_\_\_

Showroom representative \_\_\_\_\_ Showroom representative \_\_\_\_\_

Signature \_\_\_\_\_ Spell name \_\_\_\_\_

Customer \_\_\_\_\_ Customer \_\_\_\_\_

Signature \_\_\_\_\_ Spell name \_\_\_\_\_

<p>NOTE: 3032 CAN BE ORDERED WITH MAX. 4 INCH OFFSET.</p> <p>THERE IS NO WARRANTY ON SPECIAL ORDERS.</p> <hr/> <p>OFF-SET ON THIS ORDER MUST BE: _____ INCH</p> <p>HEIGHT OF PIPES ON THIS ORDER MUST BE _____ INCH</p>	
---	--

THIS FORM MUST BE COMPLETED !



**Herbeau**  
L'Art du Sanitaire depuis 1857

Date:

I hereby agree, that this special order of the 3901 \_\_\_ Royale riser pipes, are non returnable & cancelable.

Showroom name

PO #

Showroom representative

Showroom representative

Signature

Print name

Customer

Customer

Signature

Print name

NOTE:  
3901 CAN BE ORDERED WITH  
MAX. 4 INCH OFFSET.

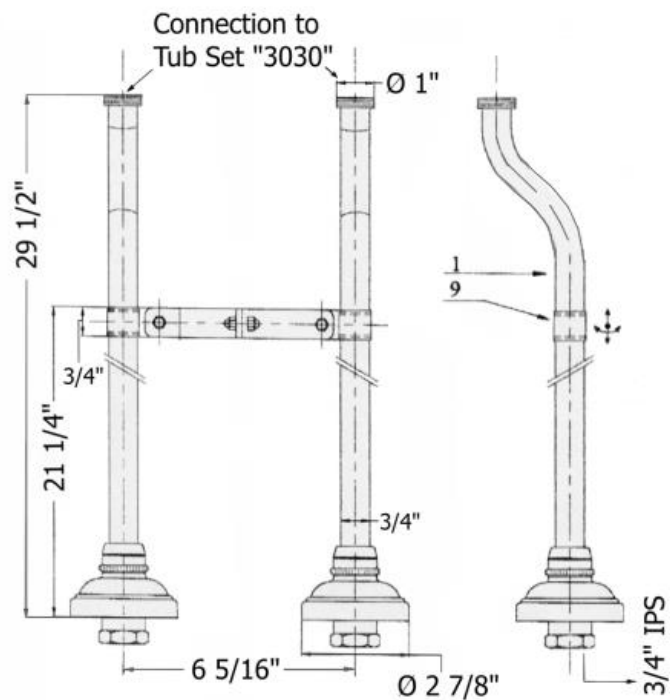
THERE IS NO WARRANTY ON  
SPECIAL ORDERS.

OFF-SET ON THIS ORDER MUST  
BE:

\_\_\_\_\_ INCH

HEIGHT OF PIPES ON THIS  
ORDER MUST BE

\_\_\_\_\_ INCH



THIS FORM MUST BE COMPLETED !



**Herbeau**  
L'Art du Sanitaire depuis 1857

Date: \_\_\_\_\_

I hereby agree, that this special order of the 3902\_\_\_ Royale riser pipes, are non-returnable & cancelable.

\_\_\_\_\_  
Showroom name PO #

\_\_\_\_\_  
Showroom representative Showroom representative

\_\_\_\_\_  
Signature Print name

\_\_\_\_\_  
Customer Customer

\_\_\_\_\_  
Signature Print name

<p>NOTE: 3902 CAN BE ORDERED WITH MAX. 4 INCH OFFSET.</p> <p>THERE IS NO WARRANTY ON SPECIAL ORDERS.</p> <hr style="border: 1px solid black;"/> <p>OFF-SET ON THIS ORDER MUST BE:</p> <p style="text-align: center;">_____ INCH</p> <p>HEIGHT OF PIPES ON THIS ORDER MUST BE</p> <p style="text-align: center;">_____ INCH</p>	
--	--

**THIS FORM MUST BE COMPLETED !**

**3037 and 2247 installation instructions**  
**Installation of these spouts must be performed by an**  
**experienced, licensed plumber for proper installation and**  
**warranty**  
**Installation of these spouts in a marine/outdoor environment**  
**will void the warranty**

**Tools needed:**

Power drill  
Measuring tape or ruler  
Pencil  
Pliers  
Adjustable wrench  
Clean rags  
Teflon tape  
Bucket

**Spout prep and installation:**

1. Ensure placement of spout on wall and proper  $\frac{3}{4}$ " plumbing with  $\frac{3}{4}$ " male stub-out for 3037 and  $\frac{3}{4}$ " female stub-out for 2247.
2. Taking into account diameter of 2  $\frac{7}{8}$ " on 3037 and 2  $\frac{1}{4}$ " on 2247, drill a hole in wall approximately 1" – 1  $\frac{1}{4}$ " in diameter for  $\frac{3}{4}$ " male or female stub-out.
3. Plumb in proper  $\frac{3}{4}$ " plumbing connections and valves in wall for male and female stub-out.
4. To avoid possible damage to your spout and voiding your warranty, be sure to flush out the hot and cold supply lines into bucket before spout hook-up. If debris is flushed into spout, this can cause a number of problems: No water flow from spout or clogged spout aerator.
5. Ensure #6 escutcheon for 3037 has rubber o-ring installed in center channel and is slid in place on #4 spout. Ensure #2 escutcheon for 2247 is attached to #1 spout threaded stem.
6. Thread 3037 spout clockwise onto properly prepared  $\frac{3}{4}$ " wall stub-out until spout is snug to wall.
7. Ensure wall mounting hardware for 2247 is mounted onto spout thread clockwise behind wall and  $\frac{3}{4}$ " #6 brass adapter with #7 washer installed is threaded clockwise onto properly prepared spout threaded

stem. Tighten spout to wall with #3 mounting nut clockwise until snug.

**Spout test:**

8. Turn hot and cold supply lines on and ensure a clean, steady flow of water from spout and there are no leaks around spout connections. Shut off water to supply lines. Spout is now successfully installed.

**Finish and care instructions for your spouts can be found at the following link:**

<https://herbeau.com/CleaningAll.pdf>

**Specification sheets for your spouts can be found at the following links:**

<http://www.herbeau.com/3037%20Royale%20Wall%20Spout.pdf>

<http://www.herbeau.com/2247%20Pompadour%20Wall%20Mount%20Tub%20Spout.pdf>



**Herbeau**<sup>®</sup>  
L'Art du Sanitaire depuis 1857

**Installation, calibration and maintenance instructions for  
3039, 2249 and 3639 1/2" thermostatic valve and trim**

**Note:**

**Thermostat may not work with an in-line water heater  
unless there is sufficient pressure and flow rate within the  
hot water system!!**

**Note: Lines must be flushed prior to installation of  
valve/cartridges for warranty coverage!!**

**Tools required:**

Adjustable wrench  
Large flat head screwdriver  
Medium flat head screwdriver  
Medium Phillips Screwdriver  
2.5mm or 3mm Allen key  
Caulk or silicon

**Information:**

Do not use any heat or torch on the valve or within close proximity to the valve. This may cause damage to the thermostatic cartridge.

**Note:**

The valve casing comes with a square plastic plate attached to front of valve with two Phillips screws. When ready to install rough, remove plate and set aside. Do "not" discard as this is the mud guard plate.



Herbeau®  
L'Art du Sanitaire depuis 1857



**Instructions:**

1. First, remove all valve rough parts from the 3039-R, 2249-R or 3639-R box and ensure all parts are accounted for.
2. Follow the instructions on the black plastic mud guard for cut-outs and installation depth.



# Herbeau®

L'Art du Sanitaire depuis 1857



3. Install the #1 rough into the wall and secure to rough ½” piping using the ½” male fittings. Ensure hot water is attached to left side with red tab and cold water to right side with blue tab.
4. Install the peripherals (i.e. spout, shower head, body sprays) to the casing #1, ½” exits.
5. Remove the #2 cartridge holding nut, thermostatic cartridge and ¼ turn check valve cartridges from rough. (Remove #1 thermostatic cartridge by pressing in and turning counter-clockwise.) Run hot and cold water through rough to flush out any remaining debris.
6. Re-install thermostatic cartridge (shown below) and check valve cartridges.



## Herbeau Creations of America

3600 Westview Drive, Naples, FL 34104

Phone (239) 417 5368, (800) 547 1608, Fax (800) 547 0084

E-mail: [support@herbeau.com](mailto:support@herbeau.com), WWW: <http://www.herbeau.com>



# Herbeau®

L'Art du Sanitaire depuis 1857

7. Open both screw driver spring check valve inlet ports and turn on the water and check the unit and peripherals for leaks.
8. Shut off the water at the main connection and empty the peripherals of any residual water.
9. Install #4 hollow square tube onto cartridge nipple as shown below.



10. Thread #3 round hollow tube into cartridge holding nut as shown below. The #3 and #4 tubes can be trimmed down to accommodate different wall depths. (An 8", #3 and #4 extension kit part #990082 available for extra deep walls.)

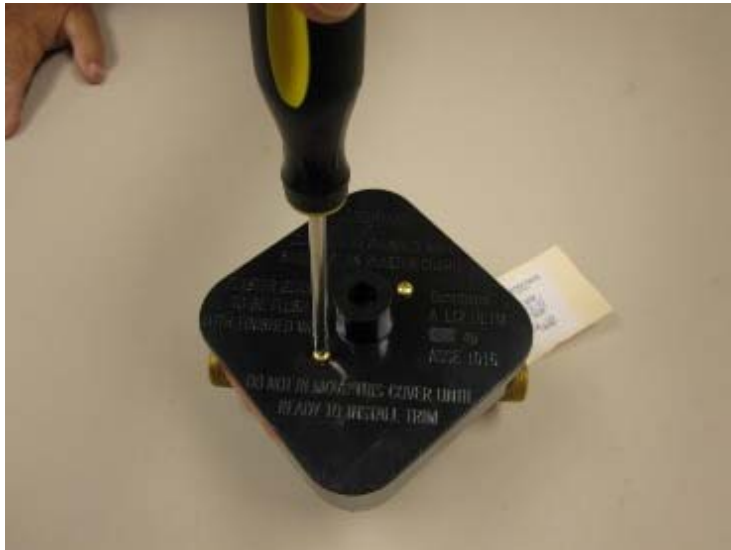




# Herbeau®

L'Art du Sanitaire depuis 1857

11. Install the plastic mud guard on the front of the casing per instructions on mud guard.



12. Close the wall

13. Remove all parts from the trim kit box 3039XX-T, 2249XX-T or 3639XX-T and ensure they are accounted for. (3039XX-T shown top of next page.)





# Herbeau®

L'Art du Sanitaire depuis 1857



16. Thread the #12 swivel bushing onto #9 threaded extension tube and tighten as shown top of next page.



# Herbeau®

L'Art du Sanitaire depuis 1857



17. Be sure the hot water heater is connected, clean and operational. Before you calibrate, set the hot water to approximately 130°- 140° Fahrenheit. **If there is no hot water, you cannot test the system for proper performance.**
18. Calibrate the thermostatic cartridge using the next seven steps:
19. Turn on the water.
20. Turn the square tube clockwise until it stops. Verify you have maximum cold water.
21. Turn the square tube counter-clockwise until it stops. Verify you have maximum hot water.
22. Turn the square tube clockwise again until it stops. (It may vary between 1 ¼ - 2 revolutions.)
23. Take the temperature of the water at one of the peripherals.
24. If the temperature of the water at the peripheral is less than 100 degrees F, turn the square tube counter-clockwise a quarter turn. Wait 60 seconds for the temperature to stabilize and take the temperature again. Continue until you reach 100 degrees F.
25. Shut off the water.
26. Install the pointer assembly #6 onto #12 swivel bushing with the red button at the middle of the 105 degree mark and tighten the three set screws on #6 pointer assembly.

## Herbeau Creations of America

3600 Westview Drive, Naples, FL 34104

Phone (239) 417 5368, (800) 547 1608, Fax (800) 547 0084

E-mail: [support@herbeau.com](mailto:support@herbeau.com), WWW: <http://www.herbeau.com>



# Herbeau®

L'Art du Sanitaire depuis 1857



27. For 3039XX-T and 3639XX-T, slip the bell housing #15 over #6 pointer assembly.
28. For 2249XX-T, the #16 handle escutcheon snaps over #6 and handle #17 fits tightly over plastic insert on #6. (To remove the knob for maintenance, pull firmly and evenly under the knob to pop it off of the plastic insert.)
29. For 3039XX-T and 3639XX-T, slip the #16 handle over #15 stem.
30. For 3039XX-T, set #17 washer into the top of #16 handle.
31. For 3039XX-T and 3639XX-T, thread the #18 screw through #16 handle and into #15 bell housing until tight.
32. For 3039XX-T and 3639XX-T, install ceramic insert assembly into the top of #16 handle.
33. For all trim kits, ensure that the red pointer tab does not go past the 105 degree mark without depressing the red button

## Herbeau Creations of America

3600 Westview Drive, Naples, FL 34104

Phone (239) 417 5368, (800) 547 1608, Fax (800) 547 0084

E-mail: [support@herbeau.com](mailto:support@herbeau.com), WWW: <http://www.herbeau.com>



Herbeau®  
L'Art du Sanitaire depuis 1857



**34.** Turn the water on again and double check settings. Installation and calibration are complete.



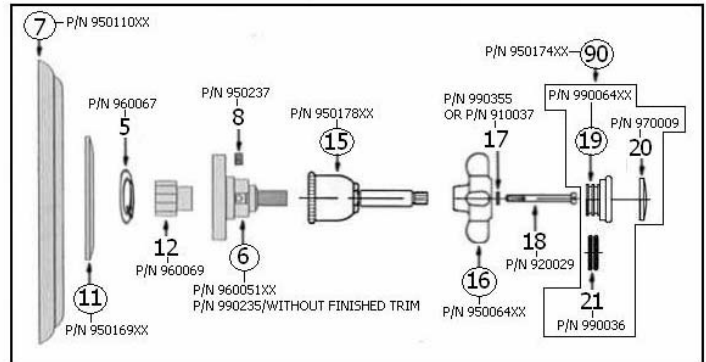
# Herbeau®

L'Art du Sanitaire depuis 1857

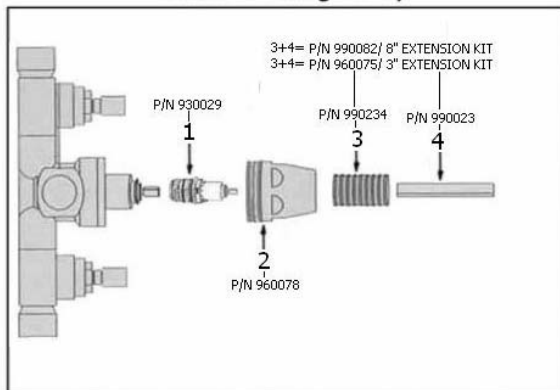
## 3039 - 'Royale' 1/2" Thermostatic Valve

\*P/N = PART NUMBER

### 3039(Finish)-T Trim only



### 3039-R Rough only



○ = FINISHED PARTS  
XX = TWO DIGIT FINISH CODE

Copyright©2017 Herbeau Creations. All rights reserved. All product and specifications are subject to change without notice. Herbeau Creations is not responsible for typographical and/or dimensional errors. Typographical errors are subject to correction.



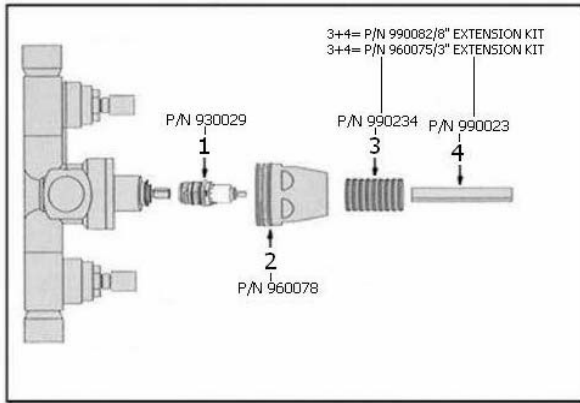
# Herbeau®

L'Art du Sanitaire depuis 1857

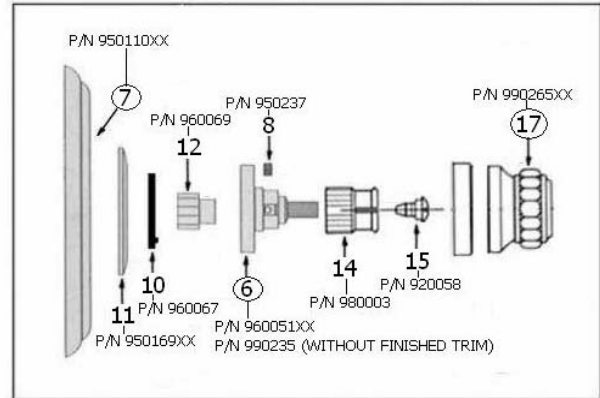
## 2249 - 'Pompadour' 1/2" Thermostatic Valve

\*P/N = PART NUMBER

### 2249-R Rough only



### 2249(Finish)-T Trim only



○ = FINISHED PARTS

XX = TWO DIGIT FINISH CODE

Copyright©2017 Herbeau Creations. All rights reserved. All product and specifications are subject to change without notice. Herbeau Creations is not responsible for typographical and/or dimensional errors. Typographical errors are subject to correction.

**Herbeau Creations of America**

3600 Westview Drive, Naples, FL 34104

Phone (239) 417 5368, (800) 547 1608, Fax (800) 547 0084

E-mail: [support@herbeau.com](mailto:support@herbeau.com), WWW: <http://www.herbeau.com>



# Herbeau®

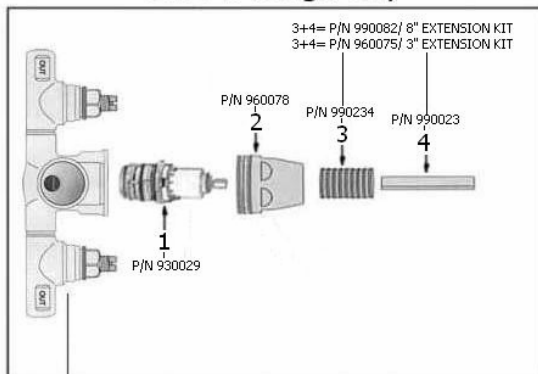
L'Art du Sanitaire depuis 1857

## 3639 - 'Monarque' 1/2" Thermostatic Valve

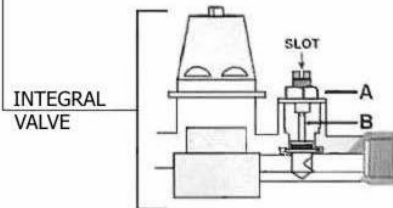
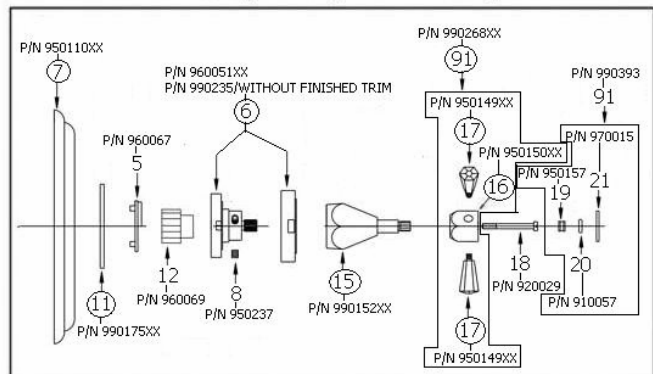
\*P/N = PART NUMBER

### EXPLODED VIEW

#### 3639-R Rough only



#### 3639(Finish)-T Trim only



○ = FINISHED PARTS  
XX = TWO DIGIT FINISH CODE

Copyright©2017 Herbeau Creations. All rights reserved. All product and specifications are subject to change without notice. Herbeau Creations is not responsible for typographical and/or dimensional errors. Typographical errors are subject to correction.



# Herbeau®

L'Art du Sanitaire depuis 1857

## Maintenance

1. **Cartridge cleaning:** If the cartridge is installed prior to flushing the lines you may inadvertently clog the cartridge. A dirty cartridge may lead to a reduction in the flow rate. It is then necessary to clean it with a brush after removing the #2 cartridge nut and #1 cartridge.
2. **Cleaning the cartridge:** Again, if the cartridge is installed prior to flushing the lines, you may inadvertently clog the cartridge. It will be necessary to remove the #2 cartridge nut and #1 cartridge from the body casing #1. (**Never take the cartridge apart or you will void all warranties!!**) Simply soak the entire cartridge in a 75/25 vinegar and water solution for 1 to 3 hours and re-install the #1 cartridge and #2 cartridge nut. 90% of the time, the valve will then work normally.
3. **These systems must be regularly cleaned each year as necessary by a licensed professional plumber and cleaning documented!** This will extend the life of the cartridge and is necessary for any warranty claims.



4. **EMPTYING IN CASE OF FROST:** When the valve is exposed to freezing conditions, it is essential to empty it:



# Herbeau®

L'Art du Sanitaire depuis 1857

- = Either by turning on a tap at the bottom of the outlet
- = Or by removing the cartridge and ¼ turn check valves.

## **Note:**

**Thermostat may not not work with an in line water heater unless there is sufficient pressure and flow within the hot water system!!**

Revised 07/03/2014

**Herbeau Creations of America**

3600 Westview Drive, Naples, FL 34104

Phone (239) 417 5368, (800) 547 1608, Fax (800) 547 0084

E-mail: [support@herbeau.com](mailto:support@herbeau.com), WWW: <http://www.herbeau.com>

**3044, 3045, 2248, 2255, 3644 and 3645 installation instructions**  
**Installation of these wall valves must be performed by an**  
**experienced, licensed plumber for proper installation and**  
**warranty**

**Installation of these wall valves in a marine/outdoor**  
**environment will void the warranty**

**Tools needed:**

Power drill  
Measuring tape or ruler  
Pencil  
Pliers  
Adjustable wrench  
Clean rags  
Teflon tape  
Bucket

**1/2" and 3/4" rough prep and installation:**

1. Prepare area in wall for hot and cold "T" connection to female 1/2" or 3/4" inlet and outlet adapters on valve rough.
2. Ensure there is one hole cut in the wall where rough is going to be placed approximately 1 3/4" in diameter but verify the trim wall escutcheon diameter listed on each specification sheet.
3. For proper set back of rough placement in wall, please reference the specification sheets for each series of roughs and trims. (i.e. 3044-3045 rough can be set back a maximum depth in the wall, measuring from the back of the rough valve to the outside edge of the wall 5 1/8" to a minimum of 4 3/4" without needing to cut down #3 and #4 brass extension pieces. Cutting #3 and #4 down can adjust wall depths for rough.)
4. Install rough with female adapters to hot or cold supply lines with appropriate materials. (Note arrow on rough valve body indicates direction of water flow inlet and outlet.)
5. To avoid possible damage to your accessories or wall valve cartridge and voiding your warranty, be sure to flush out the rough into bucket first without the main cartridge installed. To remove cartridge, unthread cartridge counter-clockwise and set aside. If debris is flushed into cartridge or accessories, this can cause a number of problems: No

- water flow from accessories, clogged accessory aerators or clogged/damaged cartridges.
6. With water supplies shut off, install cartridge back into main rough body by hand, threading clockwise until snug. Ensure cartridge is shut off by turning cartridge nipple fully clockwise.
  7. Turn main water supplies on and check for any leaks around cartridge and any water bypass to accessories. If there are no leaks, then turn cartridge nipple on counter-clockwise until there is a clean, steady flow of water from accessory or accessories.
  8. Turn cartridge off by turning cartridge nipple clockwise and ensure water flow has completely stopped.
  9. Slip female end of brass hexagon tube over cartridge nipple.
  10. Thread round brass extension clockwise onto cartridge until snug.
  11. It may be necessary to trim the round brass threaded extension and brass hexagon tubes down to desired length based on wall depth. (When cutting brass hexagon tube down, always cut from solid end and “not” female end as this will prevent you from attaching female end to cartridge nipple. Ensure at least ½” of threading is left on #4 round brass extension.)

### **Royale, Pompadour and Monarque trim installations:**

12. Ensure there is a rubber o-ring installed in the inside diameter groove of the Royale, Monarque or Pompadour escutcheon. This ensures the finished trim housing will not get scratched and there is a snug fit.
13. Thread the inner finished trim housing clockwise onto the brass male threaded extension end.
14. Slip escutcheon over inner trim housing until flat side is snug to wall.
15. For Royale trim, thread bell escutcheon onto inner trim housing clockwise. Slip cross handle over stem. Thread cross handle screw with washer into cross handle clockwise until snug and install ceramic insert into top of cross handle. (Old style ceramic insert is held in by double sided adhesive tape and new style insert is set into finished finial that plugs into handle top by lubricating rubber o-rings on finial and pushing finial into handle top until snug.)
16. For Pompadour trim, thread dome escutcheon clockwise over inner trim housing. Attach white plastic geared handle separator onto inner trim housing nipple with small brass screw clockwise until snug. Apply a small amount of plumber’s grease into handle interior and press Pompadour handle onto geared handle separator until snug.

17. For Monarque trim, thread handle dome clockwise onto inner trim housing. Place handle stem over inner trim housing nipple. Attach cross handle onto stem with screw and washer clockwise until snug. (Apply a small amount of plumber's grease to rubber o-rings on ceramic insert finial to ease insertion.)
18. Check all handles for proper operation by turning handles counter-clockwise for water on and clockwise for water off. Assemblies are now successfully installed.

**Finish and care instructions for your wall valves and trims can be found at the following link:**

<https://herbeau.com/CleaningAll.pdf>

**Specification sheets for your wall valves and trims can be found at the following links:**

<https://herbeau.com/3044%20Royale%20Wall%20Valve%20Three%20Quarter%20Inch.pdf>

<https://herbeau.com/3045%20Royale%20Wall%20Valve%20One%20Half%20Inch.pdf>

<https://herbeau.com/2248%20Pompadour%20Wall%20Valve%201.2in.pdf>

<https://herbeau.com/2255%20Pompadour%20Wall%20Valve%20Three%20Quarter%20Inch.pdf>

<https://herbeau.com/3644%20Monarque%20Wall%20Valve%20Three%20Quarter%20Inch.pdf>

<http://www.herbeau.com/Specs/3645.pdf>



# Herbeau®

L'Art du Sanitaire depuis 1857

## **Installation, calibration and maintenance instructions for 3049, 2273 and 3649 3/4" thermostatic valve and trim**

### **Limited Warranty**

Herbeau Creations of America (HCA) warrants the quality of its thermostatic products (except for finishes) to be free of defects in material and workmanship for a period of one year from the date of purchase as indicated by the purchaser's receipt. Product defects attributable to abuse, misuse, improper installation, hard water, marine/outdoor environment, improper maintenance or accidental damage are not covered by any warranty. This warranty is limited to defective parts replacement only. Labor charges and/or damages incurring during installation, repair, removal or replacement are not covered. Any incidental or consequential damages resulting from any defects in material are not included.

Some states do not allow the exclusion or limitation of consequential damages; therefore if such exclusion or limitation is applicable, the above limitation may not apply to you

### **Note:**

**Thermostat may not work with an in-line water heater unless there is sufficient pressure and flow within the hot water system!!**

**Note: Lines must be flushed prior to installation of valve/cartridges for warranty coverage!!**  
**MAXIMUM TEMPERATURE IS 115 DEGREES F.**

### **Tools required:**

Adjustable wrench  
Large flat head screwdriver  
Medium flat head screwdriver  
2.5mm or 3mm Allen key  
Caulk or silicon

### **Information:**

Do not use any heat or torch on the valve or within close proximity to the valve. This may cause damage to the thermostatic cartridge.

**Herbeau Creations of America**  
3600 Westview Drive, Naples, FL 34104  
Phone (239) 417 5368, (800) 547 1608, Fax (800) 547 0084  
E-mail: [support@herbeau.com](mailto:support@herbeau.com), WWW: <http://www.herbeau.com>



# Herbeau®

L'Art du Sanitaire depuis 1857

## Note:

The valve casing comes without the cartridge installed and has a blank cover plate installed for water line flushing maintenance.



## Instructions:

1. First, remove all valve rough parts from the 3049-R, 2273-R or 3649-R box and ensure all parts are accounted for.
2. With blank cover plate installed and tightened, install the empty casing, #1, into the wall and secure to rough piping using the 3/4" male fittings. Ensure hot water is attached to left side with red tab and cold water to right side with blue tab.
3. Install the peripherals (i.e. spout, shower head, body sprays) to the casing #1.
4. Turn on the water and check the unit for leaks.
5. Shut off the water at the main connection and empty the peripherals of any residual water.
6. Remove the blank cover plate by unthreading the two flat head screws holding the blank cover plate on. **(Do not discard the blank cover plate.)**

### **Herbeau Creations of America**

3600 Westview Drive, Naples, FL 34104

Phone (239) 417 5368, (800) 547 1608, Fax (800) 547 0084

**E-mail:** [support@herbeau.com](mailto:support@herbeau.com), **WWW:** <http://www.herbeau.com>



# Herbeau®

L'Art du Sanitaire depuis 1857



7. Install the #13 plastic mud guard on the front of the casing so it extends beyond the finished wall by ½”.



# Herbeau®

L'Art du Sanitaire depuis 1857



8. Cut the plastic mud guard flush with the finished wall. Flush the supply lines completely and carefully to keep foreign matter out of the cartridge. (Install the cartridge only after the hot water heater is working.) Remove any debris and water from inside of the empty casing.
9. Install the cartridge with cover plate, #3, and tighten both #8 flat head bolts tightly.



# Herbeau®

L'Art du Sanitaire depuis 1857



- 10.** Thread #9 threaded extension on to #3 cover plate and slip #10 square adapter into #9 and onto #3 plate nipple. (Parts #9, #10 and #13 can be cut down to size to adapt to the wall depth.)
- 11.** Finish the wall.
- 12.** Remove all parts from the trim kit box 3049XX-T, 2273XX-T or 3649XX-T and ensure they are accounted for.

## **Herbeau Creations of America**

3600 Westview Drive, Naples, FL 34104

Phone (239) 417 5368, (800) 547 1608, Fax (800) 547 0084

**E-mail:** [support@herbeau.com](mailto:support@herbeau.com), **WWW:** <http://www.herbeau.com>



# Herbeau®

L'Art du Sanitaire depuis 1857



13. Install the temperature indicator plate #11 onto #7 wall plate. (Wall plate #7 is installed with “Herbeau” at the top and two tab holes at the 12 and 6 o’clock positions. #11 plate is installed onto #7 with “85” degree mark at approximately 12 o’clock position.)

## Herbeau Creations of America

3600 Westview Drive, Naples, FL 34104

Phone (239) 417 5368, (800) 547 1608, Fax (800) 547 0084

E-mail: [support@herbeau.com](mailto:support@herbeau.com), WWW: <http://www.herbeau.com>



Herbeau®  
L'Art du Sanitaire depuis 1857

14. #5 scold stop plate is installed onto #11 plate with two round tabs as shown with the scold stop ¼ circle at the bottom left quadrant.





# Herbeau®

L'Art du Sanitaire depuis 1857

15. Thread the #12 swivel bushing onto #9 threaded extension tube and tighten.



16. Calibrate the thermostatic cartridge using the next seven steps:  
17. Turn on the water.  
18. Turn the square tube clockwise until it stops.  
19. Turn the square tube counter-clockwise until it stops.  
20. Turn the square tube clockwise again until it stops. (It may vary between 1 ¼ - 2 revolutions.)  
21. Take the temperature of the water at one of the peripherals.  
22. If the temperature of the water at the peripheral is less than 100 degrees F, turn the square tube counter-clockwise a quarter turn. Wait 60 seconds for the temperature to stabilize and take the temperature again. Continue until you reach 100 degrees F.  
23. Shut off the water.

## Herbeau Creations of America

3600 Westview Drive, Naples, FL 34104

Phone (239) 417 5368, (800) 547 1608, Fax (800) 547 0084

E-mail: [support@herbeau.com](mailto:support@herbeau.com), WWW: <http://www.herbeau.com>



# Herbeau®

L'Art du Sanitaire depuis 1857

24. Install the pointer assembly #6 onto #12 swivel bushing with the red button at the middle of the 105 degree mark and tighten the three set screws on #6 pointer assembly.



25. For 3049XX-T and 3649XX-T, slip the bell housing #15 over #6 pointer assembly.
26. For 2273XX-T, the #16 handle escutcheon snaps over #6 and handle #17 fits tightly over plastic insert on #6. (To remove the knob for maintenance, pull firmly and evenly under the knob to pop it off of the plastic insert.)
27. For 3049XX-T and 3649XX-T, slip the #16 handle over #15 stem.
28. For 3049XX-T and 3649XX-T, set #17 washer into the top of #16 handle.
29. For 3049XX-T and 3649XX-T, thread the #18 screw into #16 handle.
30. For 3049XX-T and 3649XX-T, install ceramic insert #20 into the top of #16 handle.
31. For all trim kits, ensure that the red pointer tab does not go past the 105 degree mark without depressing the red button

## Herbeau Creations of America

3600 Westview Drive, Naples, FL 34104

Phone (239) 417 5368, (800) 547 1608, Fax (800) 547 0084

E-mail: [support@herbeau.com](mailto:support@herbeau.com), WWW: <http://www.herbeau.com>



Herbeau®  
L'Art du Sanitaire depuis 1857



**32.** Turn the water on again and double check settings. Installation and calibration are complete.



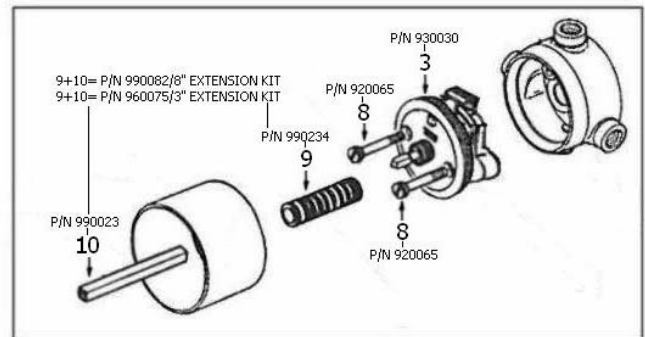
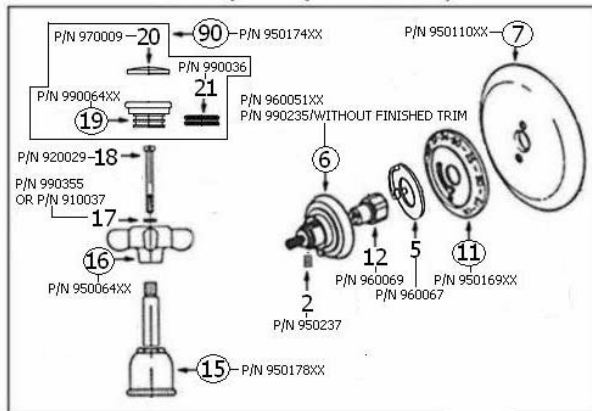
# Herbeau®

L'Art du Sanitaire depuis 1857

## 3049 - 'Royale' 3/4" Thermostatic Valve

\*P/N = PART NUMBER

### 3049(Finish)-T Trim only



### 3049-R Rough only

○ = FINISHED PARTS  
 XX = TWO DIGIT FINISH CODE

Copyright©2017 Herbeau Creations. All rights reserved. All product and specifications are subject to change without notice. Herbeau Creations is not responsible for typographical and/or dimensional errors. Typographical errors are subject to correction.



# Herbeau®

L'Art du Sanitaire depuis 1857

## Maintenance

1. **Filter cleaning:** If the cartridge is installed prior to flushing the lines you may inadvertently clog the filters. Dirty filters may lead to a reduction in the flow rate. It is then necessary to clean them with a brush after removing the #3 cover plate with cartridge from the body casing #1. Brush the outside of the filters only!!
2. **Cleaning the cartridge:** Again, if the cartridge is installed prior to flushing the lines, you may inadvertently clog the filters. It will be necessary to remove the #3 cover plate with cartridge from the body casing #1. (**Never take the cartridge apart or you will void all warranties!!**) Simply soak the entire cartridge in a 75/25 vinegar and water solution for 1 to 3 hours and re-install the plate with cartridge. 90% of the time, the valve will then work normally.
3. **EMPTYING IN CASE OF FROST:** When the valve is exposed to freezing conditions, it is essential to empty it:
  - ⋮ Either by turning on a tap at the bottom of the outlet
  - ⋮ Or by opening the cover plate with cartridge #3 attached

### **NOTE TO: HOMEOWNER & LICENSED PLUMBER**

#### **WARRANTY REQUIRED 3/4" THERMOSTATIC CARTRIDGE CLEANING**

Please reference page 6 of the Factory instructions, "3/4" THERMOSTATIC MIXING VALVE TECHNICAL GUIDE:

THIS CARTRIDGE **MUST BE CLEANED ON A YEARLY BASIS** DUE TO POSSIBLE CALCIFICATION CLOGGING OF CARTRIDGE FROM HARD WATER, BY A LICENSED PLUMBER TO ENSURE POSSIBLE WARRANTY ELIGIBILITY OF THE CARTRIDGE. UPON WARRANTY CLAIM BY END USER OR RETAILER, HERBEAU CREATIONS OF AMERICA WILL REQUIRE A COPY OF THE YEARLY CLEANING SERVICE RECEIPT TO ENSURE THAT THE REQUIRED MAINTENANCE & CLEANING HAS BEEN FULFILLED THESE CARTRIDGES WILL NOT FAIL AS LONG AS THEY ARE PROPERLY MAINTAINED AND CALIBRATED AS STATED IN THE INSTRUCTIONS AND WARRANTY GUIDE. MISUSE AND NON-FLUSHING OF SUPPLY LINES BEFORE INSTALLING & CALIBRATING IS NOT COVERED UNDER WARRANTY.

**NOTE: WARRANTY APPLIES ONLY TO ORIGINAL PURCHASER**

⋮

**Herbeau Creations of America**  
3600 Westview Drive, Naples, FL 34104  
Phone (239) 417 5368, (800) 547 1608, Fax (800) 547 0084  
**E-mail:** [support@herbeau.com](mailto:support@herbeau.com), WWW: <http://www.herbeau.com>



Herbeau®  
L'Art du Sanitaire depuis 1857

**Note:**

**Thermostat may not not work with an in line water heater unless there is sufficient pressure and flow within the hot water system!!**

Revised 9/8/2016

**BASIC TROUBLE-SHOOTING OF CARTRIDGE.**

#1 Remove Washers

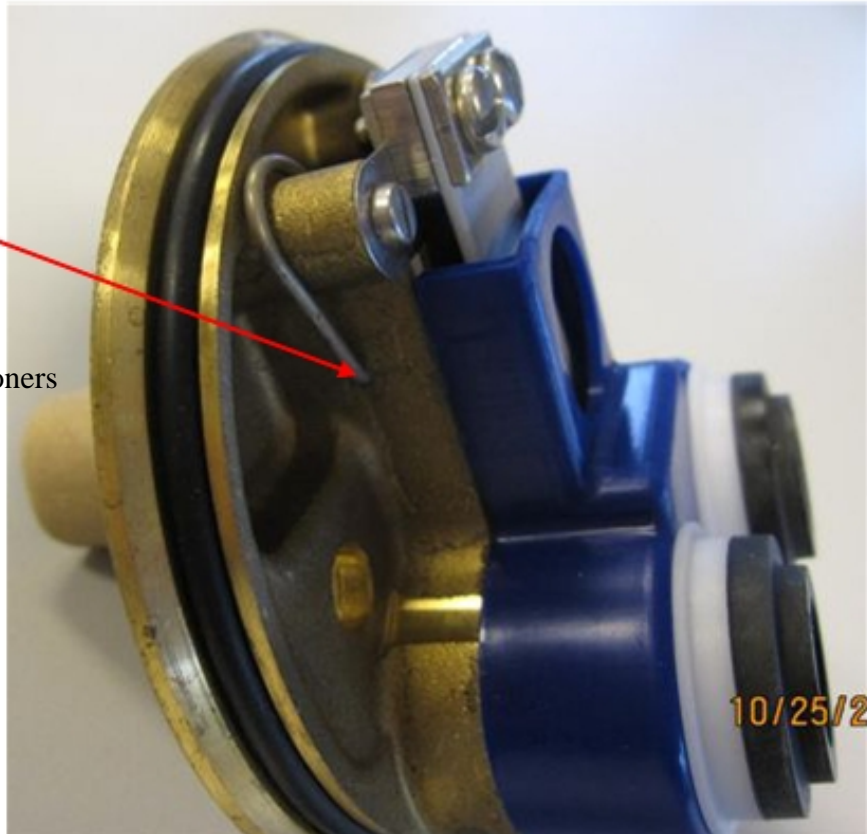
Verify Check valves are Operating properly.  
(Lightly push them in.)  
Check valves are located in the center.



Re-install washers and Screens.

#2

Verify stainless steel tensioners are properly engaged to cover body on both sides.

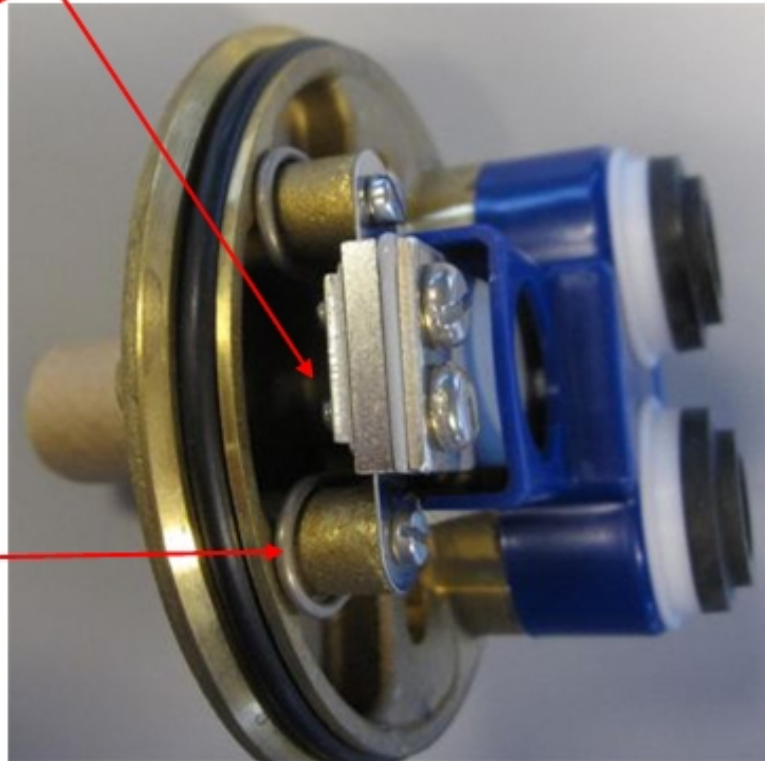




PAGE# 13

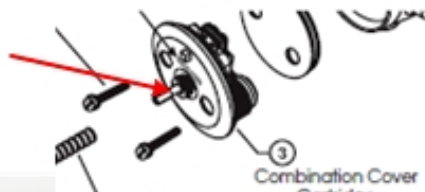
#3

Verify nothing is impeding the square cartridge stem from actuating the bi-metallic strip by turning the square cartridge stem.



#4

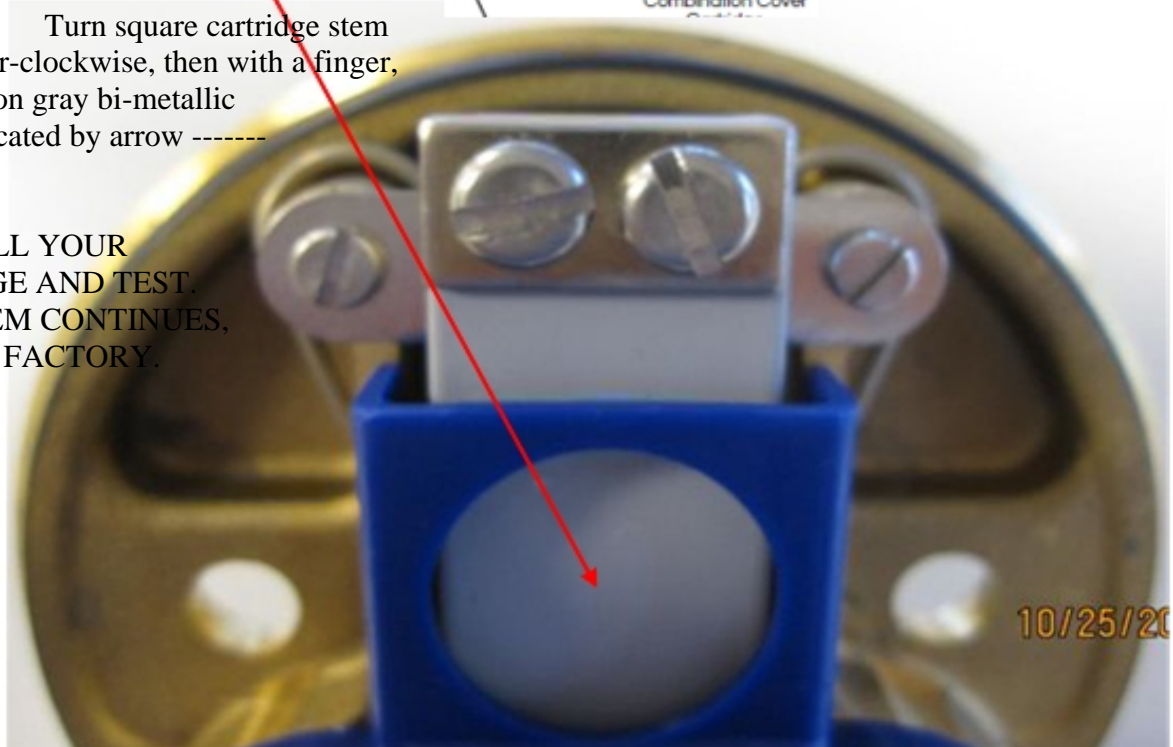
To break up any possible mineral build-up, use a flat head screwdriver and slide tensioner across cartridge stand-off post.



#5

Turn square cartridge stem fully counter-clockwise, then with a finger, push down on gray bi-metallic strip as indicated by arrow -----

RE-INSTALL YOUR CARTRIDGE AND TEST. IF PROBLEM CONTINUES, CONTACT FACTORY.





Herbeau®  
L'Art du Sanitaire depuis 1857

PAGE# 14

**Herbeau Creations of America**  
3600 Westview Drive, Naples, FL 34104  
Phone (239) 417 5368, (800) 547 1608, Fax (800) 547 0084  
**E-mail:** [support@herbeau.com](mailto:support@herbeau.com), WWW: <http://www.herbeau.com>

16

### **3063 installation instructions**

**Installation of this diverter must be performed by an experienced,  
licensed plumber for proper installation and warranty**

**Installation of this diverter in a marine/outdoor environment will void  
the warranty**

#### **Tools needed:**

Power drill or hole saw

Measuring tape or ruler

Pencil

Pliers

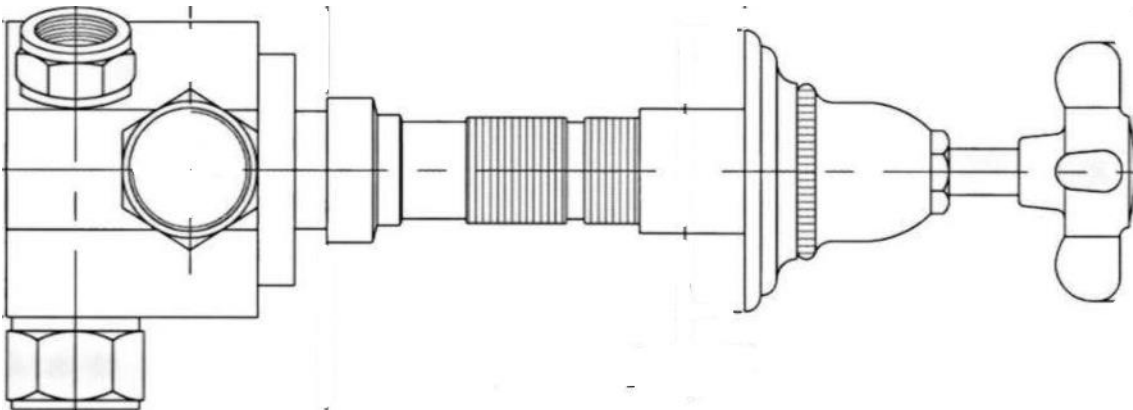
Teflon tape

Adjustable wrench

Clean rags

- 1. During installation you must ensure that the diverter is flushed into bucket thoroughly to prevent any contaminants from entering into the valve.**
- 2. While setting into the wall, the rough must be set in the position as indicated in drawing below with the inlets on each side.**
- 3. This valve has two  $\frac{3}{4}$ " Female inlets on each side, one of which can be blocked off with a screw cap if using only one inlet for a thermostatic valve.**
- 4. There is one  $\frac{3}{4}$ " female outlet for a tub filler**
- 5. There is one  $\frac{1}{2}$ " female outlet on top for a shower head, body sprays or a hand shower.**
- 6. The depth of the trim installation can be slightly modified for different wall thicknesses up to a maximum of 3". The adjusting is performed by cutting down the #2 round threaded brass extension and the #4 brass hex tube to varying lengths. The #2 round brass threaded tube should only be trimmed down on the threaded end and the #4 hex tube should only be trimmed down on the solid end.**
- 7. After the rough is installed and you are ready to install the trim parts, follow the next steps.**
- 8. Ensure there is a rubber o-ring installed inside of the inside diameter groove of the #5 escutcheon. This ensures the finished trim housing will not get scratched and there is a snug fit.**

9. Thread the #3 inner finished trim housing clockwise onto the #2 brass male threaded extension end.
10. Slip #5 escutcheon over #3 inner trim housing until flat side is snug to wall.
11. Thread #6 bell escutcheon onto #3 inner trim housing clockwise.
12. Slip #7 stem through #6 bell housing and onto #3 inner trim housing male nipple.
13. Slip #8 cross handle over #7 stem, place #9 washer onto #10 handle screw and thread #10 handle screw clockwise into center of #8 cross handle until snug.
14. Put a small amount of plumber's grease on #11 and 12 ceramic insert finial rubber o-ring and slip ceramic insert finial into top of cross handle until snug.
15. Check handle for proper operation. Turn on water supply and ensure diverter switches between valves correctly.
16. 3063 is now successfully installed.



**Finish and maintenance instructions for your 3063 trim can be found at the following link:**

<https://herbeau.com/CleaningAll.pdf>

**Specification sheets for your 3063 can be found at the following link:**  
<https://herbeau.com/3063%20Royale%20Wall%20Mounted%20Four%20Port%20Diverter%20Valve.pdf>

## **3077 TRIM INSTALLATION**

### **TOOLS NEEDED:**

Slotted Screwdriver      Plumber's Grease

Phillips Screwdriver

Small Adjustable Wrench

1. Remove black plastic wall guide and set aside:



2. Remove #2 white plastic stem from rough with Phillips screwdriver and set aside:



3. Take #1 mounting plate and place over center of rough with counter-sink holes facing up. Thread two #2 slotted screws into plate and leave them slightly loose:



4. Take #4 bell and ensure #9 stem is inserted into the back of #4 bell as shown below left. Insert the assembly through the center of #1 mounting plate and fit it onto the rough nipple. Now finish screwing #2 slotted screws down tight to secure mounting plate to rough. (This aligns bell & stem.) Remove #4 bell & #9 stem and set aside for next step:



5. Position #3 wall plate over #2 mounting plate center post. Make sure you align it with the "Herbeau France" lettering at the top and Froid (cold) and Chaud (hot) are aligned with the cold and hot rough inlets. Thread #13 locking nut over center post and tighten with adjustable wrench so wall plate is secure:

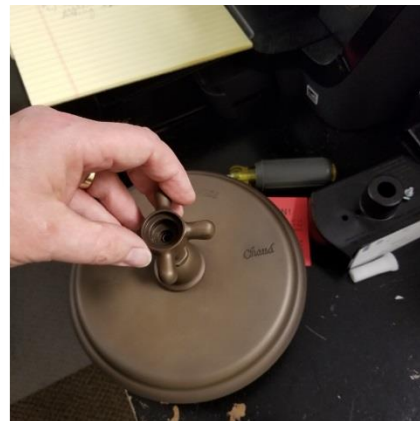




6. Install #4 bell & #9 stem into center of #3 wall plate and turn the stem fully clockwise. (Note that #4 bell & #9 stem will sit slightly above the wall plate so it can turn freely without scratching the wall plate.):



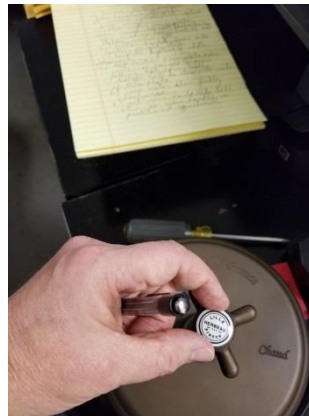
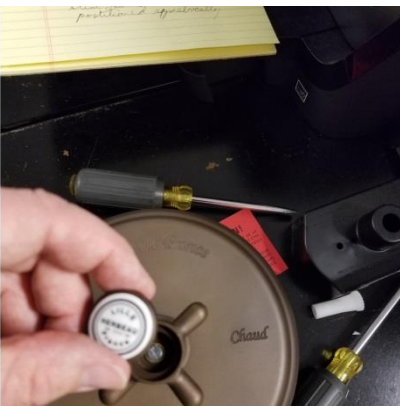
7. Install #10 cross handle onto #4 bell stem ensuring that cross handle is placed symmetrically:



8. Set #7 washer into center of #10 cross handle and thread #6 slotted handle screw into cross handle tightly with slotted screwdriver.



9. Take #91 logo insert and apply a small amount of plumber's grease to the rubber o-rings on the plug. Align correctly and insert the logo plug into the center of the cross handle:



10. Trim is now installed.

**3080, 3081, 3680 and 3681 installation instructions**  
**Installation of these pop-up assemblies must be performed by**  
**an experienced, licensed plumber for proper installation and**  
**warranty**  
**Installation of these pop-up assemblies in a marine/outdoor**  
**environment will void the warranty**

**Tools needed:**

Plumber's putty  
Slotted screwdriver  
Hole saw  
Adjustable wrench

**Pop-up prep and installation:**

1. Cut a ½" hole in counter the correct distance from the pop-up in sink if not using existing hole on a three hole sink install. Distance from center of pop-up to center of pop-up activation knob is 5 ¾". (There is a 17" extension for the #13 horizontal rod available for greater installation distances between pop-up drain and pop-up assembly.)
2. Remove #3 drain assembly from #11 body by unthreading counter-clockwise.
3. Remove #7 mounting nut counter-clockwise and pull off #4, #5 and #6 mounting parts and set aside.
4. If necessary, place an appropriate size ring of plumber's putty around lip of sink drain hole where #3 will sit for proper seal.
5. Set #3 into sink drain properly and set #2 pop-up with #8 and #9 attached to its bottom into #3. Ensure #9 eyelet hole is pointing at side opening in #11. This is where the horizontal pop-up rod will slide through. Ensure #2 drain plug and #1 rubber o-ring seal securely with #3 drain assembly.
6. Underneath sink, slide #4 white ring, #5 rubber grommet with small side up and #6 ring up onto bottom of #3. Thread #7 mounting nut clockwise onto #3 until assembly is secure to bottom of sink.
7. Thread #11 and #12 back onto #3 clockwise until snug, ensuring that #10 plastic washer is seated in the top of #11 body.
8. Remove #14 drain nut by unthreading counter-clockwise.

9. Slip #13 horizontal rod through back of #14 nut so ball end of rod sits behind nut.
10. Insert the #13 horizontal rod back into the #11 pop-up body and make sure it slips through the eyelet of the #9 pop-up stem. Thread the #14 nut back on the #11 main body clockwise to secure #13 rod in place.
11. Toggle #13 rod up and down to ensure it's engaged with #9 pop-up stem and moves #2 drain plug up and down completely.
12. Loosen #17 mounting connection screws so rods can slide through holes on #15 and #16.
13. Slide #13 rod through #15 round nut to the desired length and secure #16 square nut with #17 screw to the #15 round nut.
14. Remove mounting hardware from pop-up rod assembly and set #26 and #18 with #25 escutcheon over 1/2" pop-up hole.
15. Secure assembly by sliding #24 rubber washer and then #23 plate up onto #21 pop-up threaded mounting rod. Thread #22 hex nut clockwise onto #21 threaded mounting rod under counter until assembly is secure.
16. Ensure that #18 vertical pop-up rod slides through the top of #16 square nut and secure it with other #17 screw.
17. Ensure that #2 pop-up drain pops up to allow water to drain from sink when #26 and #18 pop-up rod is pushed down.
18. Ensure that when #26 and #18 rod is pulled up that #2 pop-up drain sits securely into drain hole and holds water. Assembly is now successfully installed.

**To view cleaning and maintenance instructions for your pop-up assemblies, please use the following link:**

<https://herbeau.com/CleaningAll.pdf>

**To view specification sheets or information on your pop-up assemblies, please use the following links:**

<https://herbeau.com/3080%20Royale%20Pop-Up%20Waste.pdf>

**3401, 3402, 3403, 3404, 3405, 3406, 3407, 3701 and 3702  
installation instructions**

**Installation of these exposed thermostatic shower systems must  
be performed by an experienced, licensed plumber for proper  
installation and warranty**

**Installation of these thermostatic shower systems in a  
marine/outdoor environment will void the warranty**

**Thermostatic cartridges in these systems must have a verifiable  
yearly maintenance cleaning by a licensed plumber for any  
valid warranty claim on the thermostatic cartridge within the  
warranty period**

**Tools needed:**

Power drill  
Measuring tape or ruler  
Pencil  
Pliers  
Adjustable wrench  
Clean rags  
Plumber's grease  
Digital thermometer  
Bucket

**Shower prep and installation:**

1. These shower systems have two  $\frac{3}{4}$ " male connections for the hot and cold valves with the exception of the 3407 which also has a  $\frac{3}{4}$ " female return into the wall at the bottom of the unit for the addition of up to four body sprays. (Body sprays are not included with the 3407 and must be purchased separately.)
2. Locate a position on the wall for cutting out stub-out holes for  $\frac{3}{4}$ " female connectors to the hot and cold  $\frac{3}{4}$ " male connections on the shower system. Space the holes  $6 \frac{1}{2}$ " center to center per specs. On the 3407, the  $\frac{3}{4}$ " female return connection for the bottom valve is centered per the spec sheets at  $6 \frac{7}{8}$ " down from the center of the return stub-out. Please verify these measurements on the available 3407 specs.
3. To avoid possible damage to your shower system and voiding your warranty, be sure to flush out the hot and cold supply lines into bucket

before shower valve hook-up. If debris is flushed into system, this can cause a number of problems: No water flow from accessories, clogged/damaged thermostatic cartridge or clogged/damaged volume control cartridges. Debris in system, calcium build-up, improper thermostatic cartridge calibration and lack of yearly maintenance are the major causes of thermostatic cartridges going out of calibration and failing.

4. Install the “Z” fittings supplied for the hot and cold inlets into the stub-outs with the appropriate thread sealing material. Using the spec sheets as a guide, attach the two hot and cold escutcheons and valves along with the main thermostatic body, threading them onto the “Z” fittings until snug.
5. The shower system will most likely come partially disassembled. If so, it may be necessary to attach the top main adjustable shower arm column, hand shower and shower head if included on your model. Please follow specification sheets for reference when assembling the system. All connections are threaded on clockwise and unthreaded counter-clockwise. All models except for the 3404 have a shower bar that can be cut down to varying lengths but do have a maximum height of 51 1/8” from lower connection point at top most volume control valve to top attachment knob on shower bar.
6. Not including the hot and cold inlet escutcheon mounts, there are two other escutcheon mounting points for the main system except for the 3404 which has one. The main round mounting plate just above the thermostatic valve is attached to the wall by four finished screws supplied with system and upper finished escutcheon is attached to wall mount plate with a top and bottom set screw. When installing top wall mount plate with supplied screw anchor kit, ensure plate is flat to wall with curved top and bottom facing out.
7. If the shower system has a hand shower, then there is another screw anchor kit supplied with the finished mounting escutcheon and holder for the hand shower. This finished mounting escutcheon is also mounted to the supplied mounting bracket with two set screws, one on the top and one on the bottom. Ensure this wall bracket is also flat to wall with curved top and bottom facing out.
8. When mounting the hand shower hose if supplied with model, ensure there are hose washers installed in each end of the hose before attaching. Hose is threaded onto hand shower and main body connection clockwise by hand until snug.

## **Calibration and testing:**

9. When installation is complete, turn on main hot and cold water supplies to unit and check for any leaks. (Ensure hot and cold integrated valves on hot and cold system inlets are turned on counter-clockwise.)
10. To begin calibration of the thermostatic valve, remove thermostatic cross handle "Herbeau" logo insert by pulling tab finial out of center of cross handle.
11. Unthread center cross handle screw counter-clockwise and remove screw and washer.
12. Unthread bell escutcheon counter-clockwise and remove.
13. To remove scold stop mechanism with scold stop button, unthread scold stop set screw or screws counter-clockwise with Allen wrench and slide scold stop mechanism off of center stem.
14. Slowly turn the volume control of one of the peripherals counter-clockwise to on position to measure temperature of water coming out of peripheral selected.
15. Turn the exposed hollow square tube on the thermostatic body clockwise 2 turns or until it stops.
16. Turn the hollow square tube counter-clockwise 2 turns or until it stops. (This identifies left and right maximum stops.)
17. Turn the hollow square tube clockwise approximately 1 ¼ to 2 revolutions, wait 60 seconds for the water temperature to stabilize and take the water temperature at the selected peripheral.
18. If the water temperature is less than 100 degrees F., turn the hollow square tube counter-clockwise a quarter turn, wait 60 seconds for the water temperature to stabilize and take the water temperature again.
19. Shut the volume control off to the peripheral by turning the cross handle clockwise.
20. Carefully re-install the scold stop button assembly with the scold stop button pointing at the middle of the 105 degree mark and tighten up the set screws on the scold stop assembly clockwise.
21. Reverse steps 10, 11 and 12 to re-install the thermostat handle assembly.
22. Turn on peripheral again and check various water temperatures at peripheral to ensure they match the temperature selector. Ensure the handle on the thermostat does not turn past 105 degrees F. without having to push in the scold stop button first.
23. Ensure there is proper water flow from all peripherals.

24. Your exposed thermostatic shower system is now successfully installed.

**Finish and care instructions for your shower system can be found at the following link:**

<https://herbeau.com/CleaningAll.pdf>

**Specification sheets for your shower systems can be found at the following links:**

<https://herbeau.com/3401%20Royale%20Exposed%20Thermostatic%20Tub%20&%20Shower%20Set.pdf>

<https://herbeau.com/3402%20Royale%20Exposed%20Thermostatic%20Shower%20System.pdf>

<https://herbeau.com/3403%20Royale%20Exposed%20Thermostatic%20Tub%20&%20Shower%20System.pdf>

[\[Royale%20Exposed%20Tub%20&%20Shower%20Thermostatic%20Mixer%20Wall%20Mounted.pdf\]\(https://herbeau.com/3404-Royale%20Exposed%20Tub%20&%20Shower%20Thermostatic%20Mixer%20Wall%20Mounted.pdf\)](https://herbeau.com/3404-</a></p></div><div data-bbox=)

<https://herbeau.com/3406%20Royale%20Exposed%20Thermostatic%20Shower.pdf>

<https://herbeau.com/3407%20Royale%20Exposed%20Thermostatic%20Shower.pdf>

<https://herbeau.com/3701%20Monarque%20Exposed%20Thermostatic%20Tub%20&%20Shower%20Set.pdf>

<https://herbeau.com/3702%20Monarque%20Exposed%20Thermostatic%20Shower.pdf>

**4102, 4110, 4116, 4121, 4131, 4207, 4208, 4209 and 4213  
installation instructions**

**Installation of these faucets must be performed by an  
experienced, licensed plumber for proper installation and  
warranty**

**Installation of these faucets in a marine/outdoor environment  
will void the warranty**

**NOTE:**

**WHEN REMOVING AND RE-INSTALLING BLACK PVC  
DIVERter BLOCK, MAKE SURE THAT CONNECTIONS  
TO THREADED SUPPLY LINE AND HAND SPRAY HOSE  
ARE NOT REVERSED. IF THEY ARE, THERE WILL BE  
NO WATER FLOW TO HAND SPRAY OR SPOUT!!!!**

**Tools needed:**

Power drill  
Measuring tape or ruler  
Pencil  
Pliers  
Adjustable wrench  
Clean rags  
Plumber's grease  
Bucket

**Faucet prep and installation:**

1. Cut one 1 3/4" hole in counter for main faucet body.
2. Cut one 1 1/4" hole in counter for hand spray. (Keep in mind that hand spray hose is 48" in length for proper distancing from faucet body.)
3. Ensure there are proper hot and cold lines with 3/8" male fittings to connect to the hot and cold flexible female supply hoses.
4. Ensure there are hot and cold shut-off valves within reach of the faucet if possible for emergency shut-off and maintenance.
5. To avoid possible damage to your faucet and voiding your warranty, be sure to flush out the hot and cold supply lines into bucket before faucet hook-up. If debris is flushed into faucet, this can cause a number of problems: No water flow from spout, clogged spout aerator or clogged/damaged cartridges.

6. Remove hoses from diverter block by unthreading counter-clockwise. (Be careful not to lose the hose washers.)
7. Unthread diverter block by unthreading counter-clockwise from main threaded supply line.
8. Remove main threaded supply line rubber o-ring from groove.
9. Unthread threaded main supply line mounting hardware counter-clockwise and remove brass washer and mounting bracket if uses on faucet.
10. Carefully set faucet body with rubber washer underneath faucet escutcheon over 1 3/4" counter hole. (Be careful when placing main faucet threaded supply line through hole.)
11. Underneath counter, slip mounting bracket and rubber washer, if used, up onto main threaded supply line and thread brass mounting nut clockwise until mounting hardware and faucet are snug to counter.
12. Install threaded supply line rubber o-ring back into groove on threaded supply line.
13. For black plastic new style diverter block, thread diverter block with connection labeled 3/8 G clockwise onto threaded main supply line until snug and rubber o-ring is sealing female connection on top of diverter block.
14. Thread flexible supply line back onto male elbow on diverter block marked 1/2" G, ensuring washer is in place.
15. Thread hand spray hose clockwise onto male connection of backflow preventer and thread backflow preventer clockwise onto male connection on bottom of diverter block labeled M15 X 1. (Ensure hose and backflow preventer washers are in place before attaching.)
16. Thread hot and cold flexible supply line hoses clockwise onto hot and cold water supply lines until snug.

**Hand spray install:**

17. To install hand spray, start by threading #51 nut clockwise over #50 stem approximately 1".
18. Slip #52 rubber and metal trim over top of #51 nut on #50 stem, ensuring cup side of metal washer is facing up and rubber washer sits inside of metal cup.
19. Lay #53' rubber washer under #53 finished hand spray escutcheon clockwise until #50 stem top thread is just below top of escutcheon.
20. Thread the nut side of #50 stem up into #53 finished hand spray escutcheon clockwise until #50 stem top thread is just below top of escutcheon.

21. Tighten assembly by threading #51 nut clockwise until escutcheon assembly is secure.
22. Slip the hand spray hose up through #50 threaded stem and thread the hand spray end of the hand spray hose clockwise onto the hand spray elbow until snug. (Be sure to have hand spray hose washer installed in hose before attaching.)
23. Set hand spray into escutcheon and ensure it sits securely in the hand spray holder.

**Faucet and hand spray test:**

24. Remove the spout and hand spray aerator covers and filters to allow any particulates to be flushed straight out of the spout and hand spray.
25. Ensure hot and cold valves or single lever on faucet is in the off position.
26. Turn the hot and cold water supply lines on slowly and ensure there are no leaks anywhere on or around faucet or hand spray.
27. Turn hot and cold water handles or single lever faucet handle to on position and ensure a clean, steady stream of water from the faucet spout.
28. Activate hand spray by either pushing the hand spray button or lever, depending on model and ensure a clean, steady stream of water from the hand spray nozzle and water flow from the spout stops.
29. Release button or lever on hand spray and ensure water at faucet spout resumes to full flow and water from the hand spray stops.
30. Shut off hot and cold handles or faucet lever handle. Re-attach the spout and hand spray aerator filters and covers. Faucet is now successfully installed.

**YEARLY MAINTENANCE**

We recommend that once a year, on the 4102, 4110, 4121 and 4131 faucets that the cartridge nut is removed once a year and the threads on the nut and body be cleaned and re-lubricated with Anti Seize or Plumbers grease. This will help ensure that the threads do not seize up due to calcium build-up.

**Finish and care instructions for your faucets can be found at the following link:**

<https://herbeau.com/CleaningAll.pdf>

**Specification sheets for your faucets can be found at the following links:**

<https://herbeau.com/4102%20De%20Dion%20Single%20Lever%20Mixer%20with%20Spray.pdf>

<https://herbeau.com/4110%20Flamande%20Deck%20Mounted%20Mixer%20with%20Hand%20Spray.pdf>

<https://herbeau.com/4121%20Royale%20Single%20Lever%20Mixer%20with%20Hand%20Spray.pdf>

<https://herbeau.com/4131%20Monarque%20Single%20Lever%20Mixer%20with%20Hand%20Spray.pdf>

<https://herbeau.com/4207%20Valence%20Single%20Hole%20Mixer%20with%20Hand%20Spray.pdf>

<https://herbeau.com/4208%20Ostende%20Single%20Hole%20Mixer%20with%20Hand%20Spray.pdf>

<https://herbeau.com/4209%20Namur%20Single%20Hole%20Mixer%20with%20Hand%20Spray.pdf>

## **4104 Installation instructions**

**Installation of this faucet must be performed by an experienced, licensed plumber for proper installation and warranty**

**Installation of this faucet in a marine/outdoor environment will void the warranty**

### **Tools needed:**

Power drill  
Measuring tape or ruler  
Pencil  
Pliers  
Adjustable wrench  
Clean rags  
Plumber's grease  
Bucket

### **Faucet prep and installation:**

1. Cut one 1 3/4" hole in counter for main faucet body.
2. Cut one 1 1/4" hole in counter for hand spray. (Keep in mind that hand spray hose is 48" in length for proper distancing from faucet body.)
3. Ensure there are proper hot and cold lines with 3/8" male fittings to connect to the hot and cold flexible 3/8" female supply hoses on faucet.
4. Ensure there are hot and cold shut-off valves within reach of the faucet if possible for emergency shut-off and maintenance.
5. To avoid possible damage to your faucet and voiding your warranty, be sure to flush out the hot and cold supply lines into bucket before faucet hook-up. If debris is flushed into faucet, this can cause a number of problems: No water flow from spout, clogged spout aerator, seized up diverter or clogged/damaged cartridge.
6. Remove faucet mounting plate #46 by unthreading #44 nuts counter-clockwise and then pull off #4 washers and #46 plate.
7. Set faucet body onto faucet hole in counter with #31 gasket installed between faucet escutcheon and counter. Make sure supply hoses and mounting rods are installed in faucet.
8. Re-install mounting plate by sliding mounting plate up over hoses and mounting rods. Put washers back onto rods and thread #44 mounting nuts on rods clockwise until faucet is mounted securely onto counter.

9. The #91 Estelle handle assembly can be re-positioned to four different positions by unthreading the #1, #2 and #3 handle top finial assembly and lifting the #91 handle assembly off of the top of the #86 cartridge stem. The handle can then be mounted back on top of the #86 cartridge stem at the 3, 6, 9 or 12 o'clock positions. When mounted at the desired position, thread #2 finial assembly back into the top of the #91 handle clockwise until snug.
10. Ensure hand spray hose and back flow preventer washers are in place. Thread #78 hand spray hose clockwise onto male connection of the #37 back flow preventer and thread back flow preventer onto male hand spray connector on bottom of faucet.
11. Thread hot and cold flexible line hoses clockwise onto hot and cold water supplies.

### **Hand spray install:**

12. To install hand spray, start by threading #51 nut clockwise over #50 stem approximately 1".
13. Slip #52 rubber washer and metal trim over top of #51 hex nut on #50 stem, ensuring cup side of metal trim is facing up and rubber washer is set into top of metal trim cup.
14. Lay #53' rubber washer under #53 finished hand spray escutcheon and place over hand spray hole in counter.
15. Thread #50 stem up into #53 escutcheon until #50 stem is just below top of escutcheon.
16. Tighten assembly by threading #51 nut clockwise until escutcheon assembly is secure to counter.
17. Slip #78 hand spray hose up through #50 threaded stem and thread the hand spray end of the hose clockwise onto the hand spray elbow. (Be sure to have hand spray hose washers installed in hose before attaching.)
18. Set hand spray into escutcheon and ensure it sits in the holder securely.

### **Faucet hand spray test:**

19. Ensure lever handle on faucet is in the off position.

20. Remove the spout and hand spray aerator filter to allow any particulates to be flushed straight out of the spout and hand spray. This is done by unscrewing the spout aerator cover which has two flat sides so a wrench can be attached. To remove hand spray aerator unscrew the end cap.
21. Turn the hot and cold water supply lines on slowly and ensure there are no leaks anywhere on or around faucet or hand spray.
22. Turn lever handle on faucet to on position and ensure a clean, steady stream of water from the faucet spout.
23. Activate hand spray by either pushing the hand spray button or lever, depending on model and ensure a clean, steady stream of water from the hand spray nozzle and water flow from the spout stops.
24. Release button or lever on hand spray and ensure water at faucet spout goes back to full flow and water flow from the hand spray stops.
25. Shut off faucet lever handle. Re-attach spout and hand spray aerator filter and cover. Faucet is now successfully installed.

**Finish and care instructions for your faucet can be found at the following link:**

<https://herbeau.com/CleaningAll.pdf>

**Specification sheets for your faucet can be found at the following link:**

<https://herbeau.com/4104%20Estelle%20Single%20Lever%20Mixer%20with%20Spray.pdf>

**4106 and 4107 installation instructions**  
**Installation of these faucets must be performed by an**  
**experienced, licensed plumber for proper installation and**  
**warranty**  
**Installation of these faucets in a marine/outdoor environment**  
**will void the warranty**

**Tools needed:**

Power drill  
Measuring tape or ruler  
Pencil  
Pliers  
Adjustable wrench  
Clean rags  
Plumber's grease  
Bucket

**Faucet prep and installation:**

1. Determine where on the wall you are going to mount the faucet.
2. Cut one 1 ¼" – 1 ½" hole in wall to allow the two 30" x 3/8" male fittings to connect to the 3/8" female flexible supply lines.
3. Ensure there are proper hot and cold supply lines with 3/8" male fittings to connect to the 3/8" female flexible supply lines.
4. Ensure there are proper hot and cold supply line shut-off valves within reach of the faucet for emergency shut-off and maintenance.
5. To avoid possible damage to your faucet and voiding your warranty, be sure to flush out the hot and cold supply lines into bucket before faucet hook-up. If debris is flushed into faucet, this can cause a number of problems: No water flow from spout, clogged spout aerator or clogged/damaged cartridge.
6. Ensure the two 3/8" braided supply lines are securely threaded into the back of the faucet. Facing the front of the faucet, left line is hot and right line is cold.
7. Slide both braided supply line hoses through the wall hole.
8. It may be necessary to place a wood shim behind wall where center of body wall bell escutcheon will be mounted to secure mounting of the faucet. Place #73 or #21 wall mount plate in center with horizontal channel for mounting rod placed horizontally in line with the middle of the faucet wall escutcheon. The narrow upper catch channel must

- be at the top for proper faucet body locking. Secure the plate with the mounting screw kit supplied.
9. Slide mounting rod #20 or #72 through one of the side middle holes on faucet wall bell escutcheon, horizontal channel of mounting plate, the other side of middle hole of faucet wall bell escutcheon and then lock down with two #19 or #71 finished nuts.
  10. Lock down top of faucet wall bell escutcheon by threading #19 or #71 nut and thread into top hole of faucet wall bell escutcheon so it locks the top of the faucet wall bell escutcheon to the upper wall plate lip.
  11. Thread hot and cold flexible supply line hoses onto hot and cold water supply lines by hand until snug.

**Faucet test:**

12. Ensure faucet handle is in the off position.
13. Turn the hot and cold water supply lines on slowly and ensure there are no leaks anywhere on or around faucet.
14. Turn faucet handle on and ensure a clean, steady stream of water from the faucet spout.
15. Shut faucet handle off. Faucet is now successfully installed.

**Finish and care instructions for your faucets can be found at the following link:**

<https://herbeau.com/CleaningAll.pdf>

**Specification sheets for your faucets can be found at the following links:**

<http://www.herbeau.com/4106%20Estelle%20Single%20Lever%20Mixer%20Wall%20Mounted.pdf>

<http://www.herbeau.com/4107%20DeDion%20Single%20Lever%20Mixer%20Wall%20Mounted.pdf>

**4108 and 4109 installation instructions**  
**Installation of these faucets must be performed by an**  
**experienced, licensed plumber for proper installation and**  
**warranty**  
**Installation of these faucets in a marine/outdoor environment**  
**will void the warranty**

**Tools needed:**

Power drill  
Measuring tape or ruler  
Pencil  
Pliers  
Adjustable wrench  
Clean rags  
Plumber's grease  
Bucket

**Faucet prep and installation:**

1. Determine where on the wall you are going to mount the faucet.
2. If mounting the faucet on the wall or the sink wall, take care not to mount too low as this can cause abnormal stress on the hand spray hose if the hose is pulled up at an extreme angle repetitively. The hose may not be covered under warranty if it's determined the faucet has been mounted at an extremely low angle, causing undue stress on the hose and causing it to fracture or split and unravel.
3. Cut one 1 ¼" – 1 ½" hole in the wall to allow the two 30" x 3/8" flexible braided supply lines to fit through.
4. Ensure there are proper hot and cold supply lines with 3/8" male fittings.
5. Ensure there are hot and cold shut-off valves within reach of the faucet for emergency shut-off and maintenance.
6. To avoid possible damage to your faucet and voiding your warranty, be sure to flush out the hot and cold supply lines into bucket before faucet hook-up. If debris is flushed into faucet, this can cause a number of problems: No water flow from spout, clogged spout aerator, clogged hand spray diverter or clogged/damaged cartridge.

7. Ensure the two 3/8" braided supply lines are securely threaded into the back of the faucet. Facing the front of the faucet, hot is left and cold is right.
8. Slide both braided supply line hoses carefully through the wall hole from step 3.
9. Where center of body of faucet will be mounted, it may be necessary to place a wood shim behind wall to ensure secure mounting of the faucet. Place #73 wall mount plate in center with horizontal channel for mounting rod placed horizontally in line with the middle of the faucet wall escutcheon. Narrow upper catch channel on wall mount plate must be at the top for proper faucet body locking. Secure plate to wall with mounting screw kit supplied.
10. Place faucet up against plate and line up left and right dome.
11. Slide mounting rod #72 through one of the middle holes on faucet wall escutcheon and completely through horizontal channel of mounting plate and lock down both ends of rod with two #71 finished nuts.
12. Lock down top of faucet escutcheon by threading #30 stem and #71 nut into top hole of body escutcheon so it locks the top of the faucet escutcheon to the upper wall plate lip.
13. Attach hot and cold faucet supply lines to hot and cold outlet supply lines.
14. Select location within reach of the faucet for the hand spray mounting bracket. Bear in mind that the hand spray hose is 2' long so distance is not too far away from faucet.
15. With mounting screw kit included with faucet, mount hand spray wall plate #80 onto wall with curved ends of plate on top and bottom facing out.
16. Secure hand spray escutcheon #85 onto wall plate with #81 set screws on top and bottom.
17. Ensuring that hand spray hose washers are inserted into both female ends of hand spray hose, attach faucet end of hose to hand spray hose male connection on the bottom of the faucet by threading hose on clockwise by hand until snug.
18. Attach hand spray end of hose onto elbow of hand spray by threading on clockwise by hand until snug.
19. Ensure hand spray sits securely in hand spray holder.

### **Faucet test:**

20. Ensure faucet handle is in the off position.
21. Remove the spout and hand spray aerator filter to allow any particulates to be flushed straight out of the spout and hand spray. This is done by unscrewing the spout aerator cover which has two flat sides so a wrench can be attached. To remove hand spray aerator unscrew the end cap.
22. Turn hot and cold water supply lines on slowly and ensure there are no leaks anywhere on or around faucet or hand spray.
23. Turn faucet handle on and ensure a clean, steady stream of water from the faucet spout.
24. Activate hand spray by depressing button or lever on hand spray, depending on model, and ensure a clean, steady stream of water from the hand spray nozzle and water flow from the spout stops.
25. Release button or lever on hand spray.
26. Shut off faucet handle. Re-attach spout and hand spray aerator filter and cover. Faucet is now successfully installed.

**Finish and care instructions for your faucets can be found at the following link:**

<https://herbeau.com/CleaningAll.pdf>

**Specification sheets for your faucets can be found at the following links:**

<https://herbeau.com/4109%20Estelle%20Single%20Lever%20Mixer%20Wall%20Mounted%20with%20Hand%20Spray.pdf>

## **4204 installation instructions**

**Installation of this faucet must be performed by an experienced, licensed plumber for proper installation and warranty**

**Installation of this faucet in a marine/outdoor environment will void the warranty**

### **Tools needed:**

Power drill  
Dry wall saw  
Measuring tape or ruler  
Pencil  
Pliers  
Slotted screwdriver and/or Phillips screwdriver  
Adjustable wrench  
Clean rags  
Plumber's grease  
Bucket

### **Faucet prep and installation:**

1. Determine where on the wall you are going to mount the faucet.
2. Cut one 1 ¼" – 1 ½" hole in wall to allow the two 30" x 3/8" flexible braided supply lines to fit through.
3. Ensure there are proper hot and cold supply lines with 3/8" male fittings to connect to the 3/8" female faucet flexible supply lines.
4. If possible, ensure there are hot and cold shut-off valves within reach of the faucet for emergency shut-off and maintenance.
5. To avoid possible damage to your faucet and voiding your warranty, be sure to flush out hot and cold supply lines into bucket before faucet hook-up. If debris is flushed into faucet, this can cause a number of problems: No water flow from spout, clogged spout aerator or clogged/damaged cartridges.
6. There is a horseshoe shaped wood mounting block, #24, supplied with this faucet if needed for backing and anchoring of four #16, 2 ¼" long finished wood screws supplied with faucet.
7. There is one #17, 12" PVC tube supplied with this faucet for protection of braided supply lines behind wall if needed.

8. Ensure the two 3/8" braided supply lines are securely threaded into the back of the faucet. Facing the front of the faucet, left line is hot and right line is cold.
9. If using the #24 wood mounting block, mount the block behind the wall to proper studding. Position the horseshoe shaped block so the #19 braided supply line hoses slip through the horseshoe opening of the block.
10. This faucet normally comes pre-assembled. Slide both braided supply hoses through the wall hole and thread the four #16 finished wood mounting screws into the faucet wall escutcheon until faucet is secure to wall and #24 wood mounting block.
11. Ensure all faucet connections are tight.
12. Attach hot and cold faucet braided supply lines to hot and cold supply lines.

**Faucet test:**

13. Ensure hot and cold handles of faucet are in the up or off position.
14. Slowly turn hot and cold supply lines on and ensure there are no leaks on or around faucet.
15. Slowly turn hot and cold faucet handles down to on position and ensure a clean, steady flow of water from the spout.
16. Turn faucet handles in the up position to off. Faucet is now successfully installed.

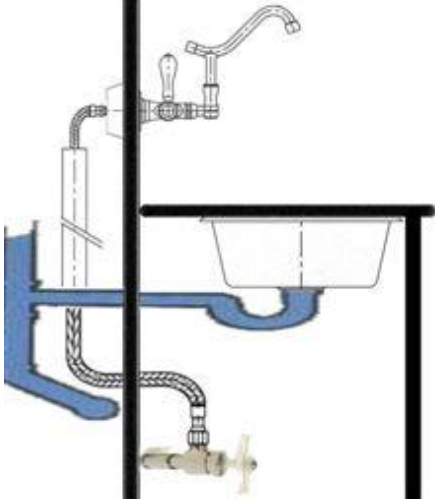
**To view cleaning and maintenance instructions for your faucet, please use the following link:**

<https://herbeau.com/CleaningAll.pdf>

**To view specification sheets for your faucet, please use the following link:**

<https://herbeau.com/4204%20Dixmude%20Single%20Hole%20Mixer%20Wall%20Mounted.pdf>

TYPICAL INSTALL FOR 4204



## **4214 installation instructions**

**Installation of this faucet must be performed by an experienced, licensed plumber for proper installation and warranty**

**Installation of this faucet in a marine/outdoor environment will void the warranty**

### **Tools needed:**

Power drill  
Measuring tape or ruler  
Pencil  
Pliers  
Adjustable wrench  
Clean rags  
Plumber's grease  
Bucket

### **Faucet prep and installation:**

1. Cut two 1 3/8" diameter holes in counter for valves, spaced between 8" – 25" center of holes and one 1 1/4" hole in the middle for the spout body. (Due to faucets having flexible valve to spout hoses, these faucets can have an 8" – 25" spread.)
2. Cut one 1 1/4" diameter hole in counter for the hand spray, taking into account the length of the 48" hand spray hose for distancing of hole.
3. Ensure there are hot and cold lines with 1/2" female connections to connect to the hot and cold lines.
4. Ensure there are hot and cold shut-off valves within reach of the faucet if possible for emergency shut-off and maintenance.
5. To avoid possible damage to your faucet and voiding your warranty, be sure to flush out the hot and cold supply lines into bucket before faucet hook-up. If debris is flushed into faucet, this can cause a number of problems: No water flow from spout, clogged spout aerator, clogged diverter, clogged hand spray aerator or clogged/damaged cartridges.

6. If not already done, please remove mounting hardware from hand spray, valves and spout assembly. The mounting hardware consists of #24 brass nuts, #22 rubber and metal washers and #14, #21, #50 threaded stems.
7. Remove #35 diverter block assembly if already installed on #14 threaded stem.
8. Mount the spout assembly by placing the #6 rubber deck mounted washer under #15 spout escutcheon and place the spout assembly on deck over spout hole.
9. Re-attach #35 black plastic diverter block assembly connection marked 3/8 G to #14 main threaded supply line, attach braided supply line hoses to #40 brass diverter T that is attached to connection on black block marked 1/2" G and attach hand spray hose to connection on black block marked M15x1. Thread all connections until snug.
10. Mount #21 hot and cold valves to counter by first placing #6 rubber washers under #3 mounting escutcheons and place over holes in counter.
11. Thread #24 mounting nuts clockwise onto top of #21 threaded valves approximately 1" and slip #22 metal ring and rubber washer on top of #24 nuts.
12. Thread valves clockwise underneath counter up into #3 escutcheons and tighten #24 nuts clockwise until assemblies are tight to counter.
13. Ensure #30, 1/2" adapters with #31 washers placed in tops are threaded clockwise onto bottom of #21 threaded valves until snug.
14. Place #31 washers into ends of #18 flexible supply lines and thread the supply lines clockwise by hand onto #21 valves and T-block #40 of #35 diverter assembly.
15. To mount the hand spray assembly, place #53 rubber washer under #60 hand spray escutcheon and place over hand spray hole in counter.
16. Thread #24 nut clockwise onto top of #50 hand spray stem approximately 1" and slip #22 metal ring and rubber washer over #24 nut with #22 metal cup facing up with #22 rubber washer set on top of #22 cup.
17. Thread #50 hand spray stem clockwise up into #60 hand spray escutcheon until #50 is a couple of threads within top of #60 escutcheon.
18. Thread #24 nut clockwise up under counter on #50 stem until hand spray assembly is snug to counter.
19. Place #29 washers into both ends of #36 hand spray hose and thread one end clockwise by hand onto bottom of M15X 1 connection on #35

- diverter assembly until snug. Feed other end up through #50 hand spray stem and thread clockwise by hand onto #49 hand spray threaded stem until snug.
20. Set hand spray handle assembly into hand spray holder and ensure hand spray handle sits securely into hand spray holder.
  21. Properly attach ½” hot and cold supply lines to ½” hot and cold faucet adapters.

**Faucet test:**

22. Ensure hot and cold handles on faucet are in the parallel, off position.
23. Turn hot and cold water supplies on.
24. Ensure there are no leaks on or around faucet or hand spray.
25. Slowly turn hot and cold handles on faucet to on position by turning hot handle counter-clockwise and cold handle clockwise.
26. Ensure there is a clean, steady stream of water coming from the spout.
27. Depress lever on hand spray and ensure there is a clean, steady flow of water from the hand spray aerator and water flow from the spout stops.
28. Release lever on hand spray and confirm water flow from hand spray stops and water flow to spout resumes.
29. Turn hot and cold knobs off by turning hot handle clockwise and cold handle counter-clockwise. Faucet is now successfully installed.

**To view cleaning and maintenance instructions for your faucet, please use the following link:**

<https://herbeau.com/CleaningAll.pdf>

**To view specification sheets for your faucet, please use the following link:**

<https://herbeau.com/4214%20Lille%204%20Hole%20Deck%20Mounted%20Kitchen%20Mixer%20with%20Hand%20Spray.pdf>

**Instructions for new black plastic diverter:**

1. First, place a bucket under the sink to catch all residual water.
2. Using an adjustable wrench, loosen and remove the two braided lines counter-clockwise that run to the brass "T" attached to the side of the black plastic diverter block.
3. Once removed, drain the lines into a bucket to remove all residual water.
4. Unthread the hand spray hose counter-clockwise that's attached to the male threaded fitting attached to the other end of the black plastic diverter block marked M15 x 1.
5. Unthread the black plastic diverter block with brass fitting counter-clockwise from the main threaded water feed line on the bottom of the faucet.
6. Once removed, replace the new black plastic diverter block and brass fittings by reversing steps 1-5.

**4517 Soap & Lotion Dispenser installation instructions**  
**Installation of this Soap & Lotion Dispenser in a**  
**marine/outdoor environment will void the warranty**  
**NOTE: FITS COUNTERS 1 ¼” THICK OR LESS. FOR**  
**ANYTHING OVER 1 ¼” USE EXTENSION “EXT-4517”**

**Tools needed:**

Power drill

Measuring tape or ruler

Pencil

Pliers or adjustable wrench

**Soap & Lotion Dispenser prep and installation:**

1. Locate area on counter to install Soap & Lotion Dispenser. Ensure there is enough space under counter to mount 7 ½” tall dispenser bottle.
2. Cut a 1 ¼” hole in counter for dispenser.
3. The #1 head should already have #3 pump assembly with #2 ball bearing installed in top of straw. If not, push top part of #3 plastic pump up into the bottom of #1 head until secure. #2 ball bearing is already secure in the top of #3 pump, held in by a small horizontal metal rod.
4. #4 is actually three separate parts. If they are all separated, slip top smooth part of #4 finished deck escutcheon up into bottom of #1 head.
5. Set #1 and #4 assembly into 1 ¼” counter hole.
6. Underneath counter, take unfinished brass threaded stem from #4 assembly and thread top part that has only 4-5 internal fine threads clockwise up onto threaded part of finished stem until snug.
7. Take #5 hex mounting nut with flat side facing up and thread clockwise up onto unfinished brass threaded stem until assembly is snug to counter.
8. Fill bottle with thinned out soap if necessary to prevent clogging in pump assembly. To thin out soap, add a small amount of water and mix in carefully by stirring slowly with spoon. (Do not shake mixture!!!) Soap being too thick is the major cause of pump clogs. Thread bottle clockwise up onto unfinished threaded stem until snug. Soap & Lotion Dispenser is now successfully installed.

**Note: Thin out soap with water if necessary or pump may clog!!!**

**NOTE: THERE IS A 6" LONG THREAD AND PUMP STRAW EXTENSION AVAILABLE FOR COUNTERS THAT ARE MORE THAN 1 ¼" THICK: CATALOG PART # EXT-4517.**

**Finish and care instructions for your Soap & Lotion Dispenser can be found at the following link:**

<https://herbeau.com/CleaningAll.pdf>

**Specification sheets and information for your Soap & Lotion Dispenser and available extension can be found at the following links:**

<https://herbeau.com/4517%20Soap%20&%20Lotion%20Dispenser.pdf>

## **4518 installation instructions**

**Installation of this cold water dispenser must be performed by an experienced, licensed plumber for proper installation and warranty**

**Installation of this cold water dispenser in a marine/outdoor environment will void the warranty**

**NOTE: DISPENSES COLD WATER ONLY!!!**

### **Tools needed:**

Power drill  
Measuring tape or ruler  
Pencil  
Pliers  
Adjustable wrench  
Clean rags  
Bucket

### **Cold water dispenser prep and installation:**

1. Locate position on counter top to mount cold water dispenser. Drill hole in counter between 1/2" minimum and 1 1/4" maximum.
2. Ensure there is a cold water source with 1/4" connection below counter to attach to cold water dispenser connection.
3. Ensure there is a shut-off valve accessible, if possible, for controlling water flow to the water dispenser for emergency shut-off or maintenance.
4. To avoid possible damage to your cold water dispenser and voiding your warranty, be sure to flush out the supply line into bucket before dispenser hook-up. If debris is flushed into dispenser, this can cause a number of problems: Low or no water flow from dispenser or clogged aerator.
5. Remove mounting hardware from dispenser if still attached and slip dispenser with deck escutcheon attached to it over hole in counter.
6. Re-attach mounting hardware by sliding washers first onto mounting stem clockwise until unit is secure to counter.
7. Attach supplied 1/4" compression nipple with nut and compression collar onto dispenser line and incoming supply line and ensure connections are tight.

**Dispenser test:**

8. Turn cold water supply line to dispenser on and ensure there are no leaks on or around dispenser line connections.
9. Depress black lever on dispenser and ensure a clean, steady flow of water from the spout. Lever can be lifted and locked into up position for constant water flow. Release dispenser lever and ensure water flow from spout stops. Cold water dispenser is now successfully installed.

**Finish and care instructions for your cold water dispenser can be found at the following link:**

<https://herbeau.com/CleaningAll.pdf>

**Specification sheets for your cold water dispenser can be found at the following link:**

<https://herbeau.com/4518%20Water%20Dispenser%20Faucet.pdf>