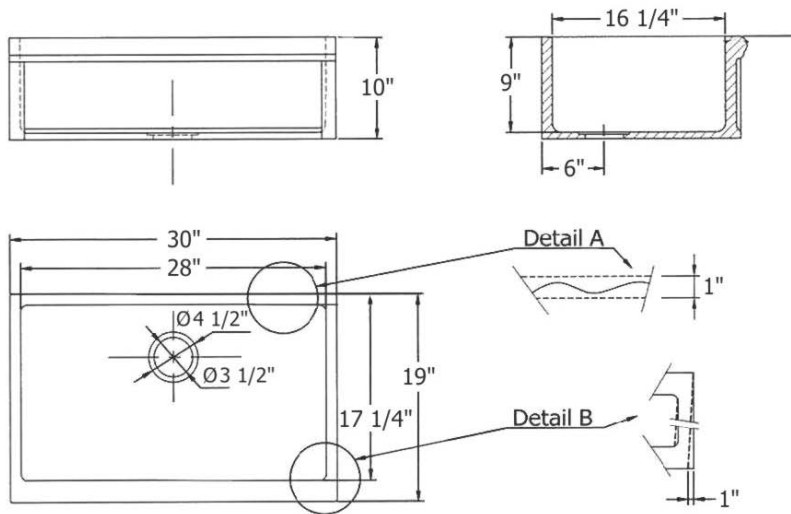


4603 – Fireclay Farmhouse Sink



Part #

Description

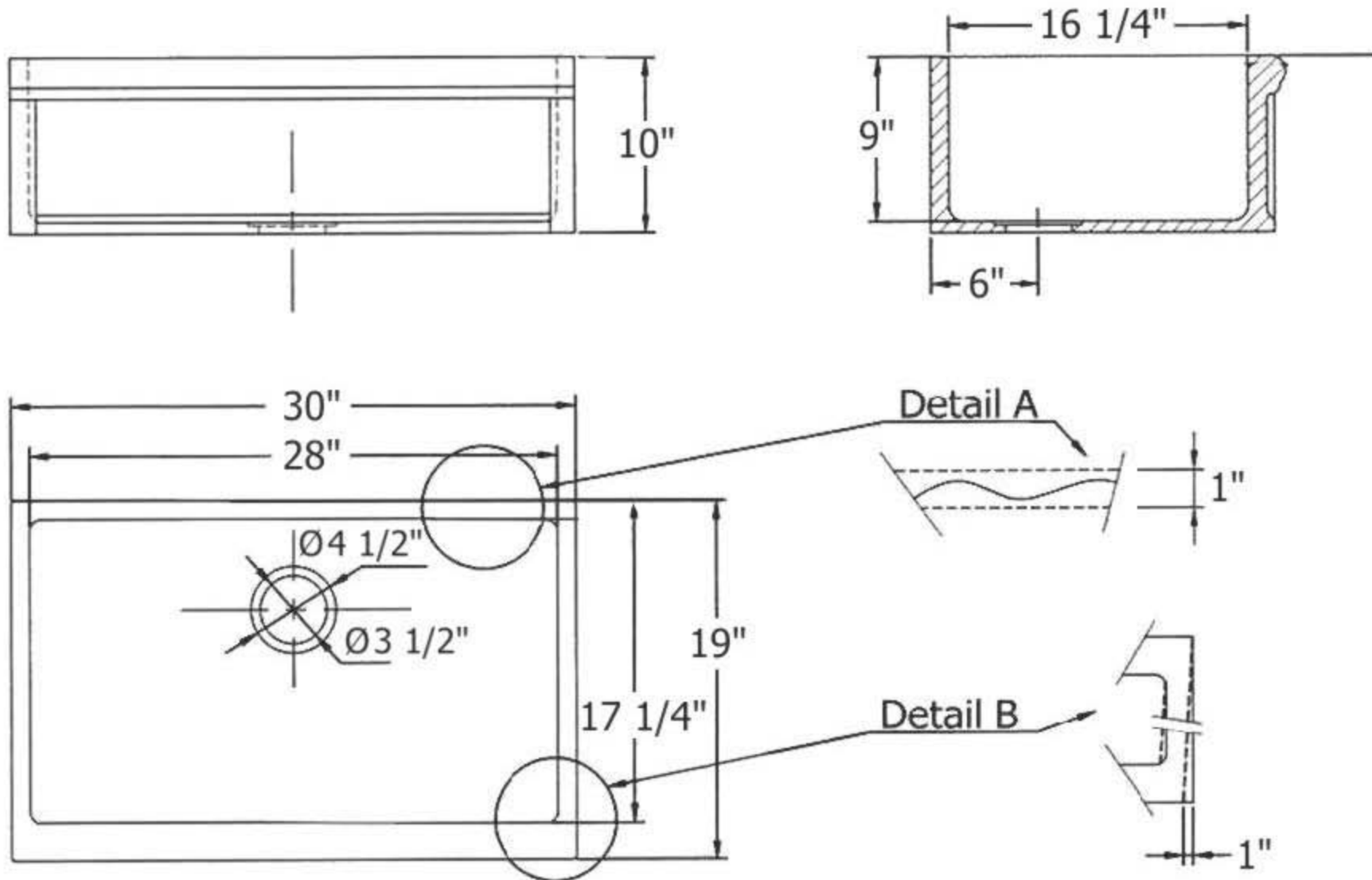
Technical Information

- Please order 3 1/2" Basket Strainer (**4511**) or if garbage disposal is used, order Flange (**4513**) and Stopper (**4514**).
- Sides of sink are mostly unglazed but are glazed approximately 1 1/2" in so sink can be partially bumped out.
- All hand paint patterns are available on White and French Ivory backgrounds.
- Available in Moustier Polychrome (**01**), Moustier Bleu (**02**), Moustier Rose (**03**), Vieux Rouen (**04**), Sceau Rose (**05**), Sceau Bleu (**06**), Berain Rose (**07**), Berain Vert (**08**), Berain Bleu (**09**), Romantique (**10**), Rouen Marly (**11**), White (**20**), Avesnes (**21**) and French Ivory (**30**).
- Please See Cleaning Instructions: <http://herbeau.com/FireclayCleaning.pdf> For Finish Care and Maintenance Information.



Herbeau®
L'Art du Sanitaire depuis 1857

4603 - Fireclay Farmhouse Sink



Note: Due to the nature of Fireclay, variations of up to 1/4" in size can occur. Cabinets and/or countertops should be cut to actual sink measurements after sink is on site.