

4116 - 'Lille' Single Lever Kitchen Mixer with Hand Spray Deck Mounted

		Part#	Description
		19	Brass Washer
		20	Threaded Stem
		21	Tightening Plate
		22	Brass Washer
		23	Hexagon Nut
		24	Threaded Stem
		25	Lille Metal Handle
		27	Rubber O-Ring
		28	Braided 90° Supply Hose
		29	3/8" Washer
30	Backflow Restrictor		
31	Braided H/S Hose		
32	Washer		
33	Rubber O-Ring		
34	Rubber O-Ring		
35	1/2" Washer		
36	Flat Rubber Washer		
49	Hand Spray Base		
50	Threaded Stem		
51	Brass Hex Nut		
52	Metal Ring & Rubber Washer		
53	Flat Rubber Washer		
57	Metal Hand Spray Handle		
60	Hand Spray Escutcheon		
62	Head Assembly For H/S		
63	Hexagon Nut		
64	4 Piece Grill Kit		
65	Plastic Spray Inserts		
67	Screw		
93	Black Plastic Diverter Block Kit		
95	Diverter Brass Adapter Kit		
<u>Technical Information</u>		Part#	Description
<ul style="list-style-type: none"> • IAPMO: NSF/ANSI 61, NSF/ANSI 372 & ASME A112.18.1/CSA B125.1 certified. • New style metal handles. • Maximum flow rate is 1.2 GPM with low flow restrictor. • Faucet uses Flühs ceramic cartridge. • Main faucet body requires 1 3/8" hole drilling. • Hand spray requires 1 1/4" hole drilling. • Available finishes are French Weathered Brass (47), Polished Chrome (48), SoliBrass (49), Lacquered Matte Black Nickel (50), Polished Brass (55), Polished Nickel (56), Brushed Nickel (57), Satin Nickel (60), Antique Lacquered Copper (67), Antique Lacquered Brass (68), Weathered Brass (70), Lacquered Polished Black Nickel (71) and Lacquered Polished Copper (80). • Please See Cleaning Instructions: http://herbeau.com/CleaningAll.pdf For Finish Care and Maintenance Information. 		01	Lille Spout - Ecobross
		02	Aerator Washer
		03	Aerator Filter
		04	Aerator Cover
		05	Split Nylon Clip
		06	Rubber O-Ring
		07	Plastic Washer
		08	Brass Dome
		09	Swan Nut
		10	Body
		11	Single Lever Ceramic Cartridge
		12	Cartridge Holding Nut
		13	Lille Handle Support
		14	Round Screw
		15	Body Valve & Supply Lines
		16	Lower Escutcheon
		17	Brass Connector
		18	3/8" X 12" Flexible Supply Line With O-Ring
18	Optional 3/8" X 30" Flexible Supply Line With O-Ring		

Please follow example when ordering parts for 'Lille' Single Lever Mixer

- To order part #14 – Round Handle Screw

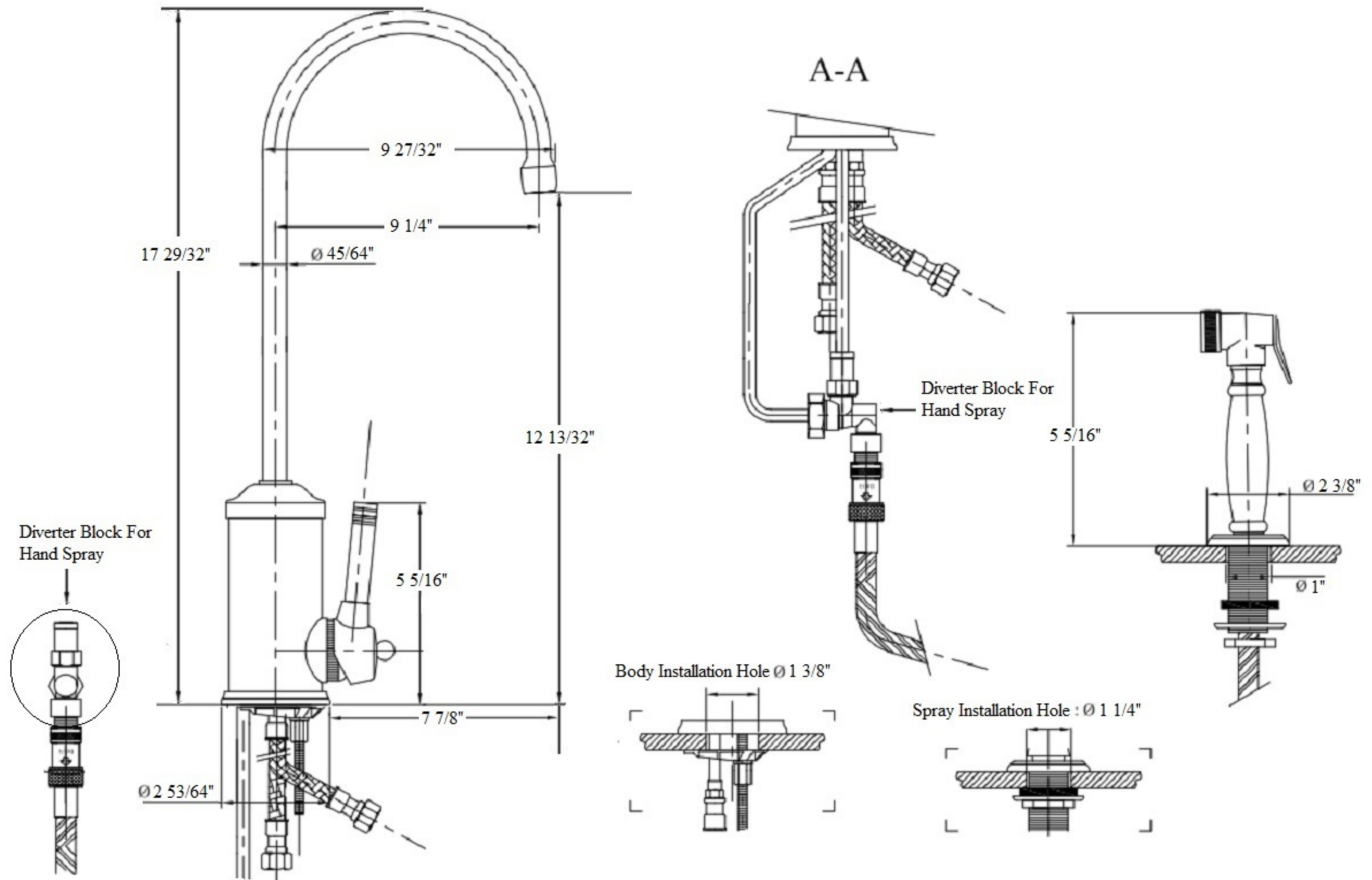
○ 920012xx

- Please substitute finish number needed in place of **xx**



Herbeau[®]
L'Art du Sanitaire depuis 1857

4116 - 'Lille' Single Lever Kitchen Mixer with Hand Spray Deck Mounted



4116 - 'Lille' Single Lever Kitchen Mixer with Hand Spray Deck Mounted

*P/N = PART NUMBER

