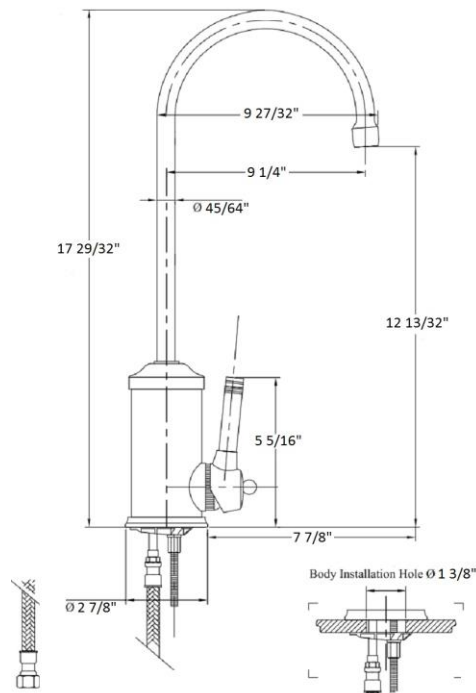


4115 - 'Lille' Single Lever Mixer Deck Mounted



Technical Information

- IAPMO: NSF/ANSI 61, NSF/ANSI 372 & ASME A112.18.1/CSA B125.1 certified.
- Faucet uses Flühs ceramic cartridge.
- New style metal handle.
- Requires 1 3/8" hole drilling.
- Maximum flow rate is 1.2 GPM with low flow restrictor.
- Available finishes are French Weathered Brass (**47**), Polished Chrome (**48**), SoliBrass (**49**), Lacquered Matte Black Nickel (**50**), Polished Brass (**55**), Polished Nickel (**56**), Brushed Nickel (**57**), Satin Nickel (**60**), Antique Lacquered Copper (**67**), Antique Lacquered Brass (**68**), Weathered Brass (**70**), Lacquered Polished Black Nickel (**71**) and Lacquered Polished Copper (**80**).
- Please See Cleaning Instructions: <http://herbeau.com/CleaningAll.pdf> For Finish Care and Maintenance Information.

Part #	Description
01	Lille Spout - Ecobross
02	Aerator Washer
03	Aerator Filter
04	Aerator Cover
05	Nylon Clip
06	Rubber O-Ring
07	Plastic Washer
08	Brass Dome
09	Swan Nut
10	Body
11	Single Lever Ceramic Cartridge
12	Cartridge Holding Nut - Hex
13	Lille Handle Support
14	Round Screw
15	Inner Valve Body
16	Lower Escutcheon
17	Flat Rubber Washer
18	12" X 3/8" Flexible Supply Hose With O-Ring
18	Optional 30" X 3/8" Flexible Supply Hose With O-Ring
19	Brass Washer
20	Threaded Stem
20	Optional 12" Threaded Stem
21	Mounting Plate
22	Brass Washer
23	Hex Nut
24	Threaded Stem
25	Lille Metal Handle
26	Rubber O-Ring
27	Rubber O-Ring

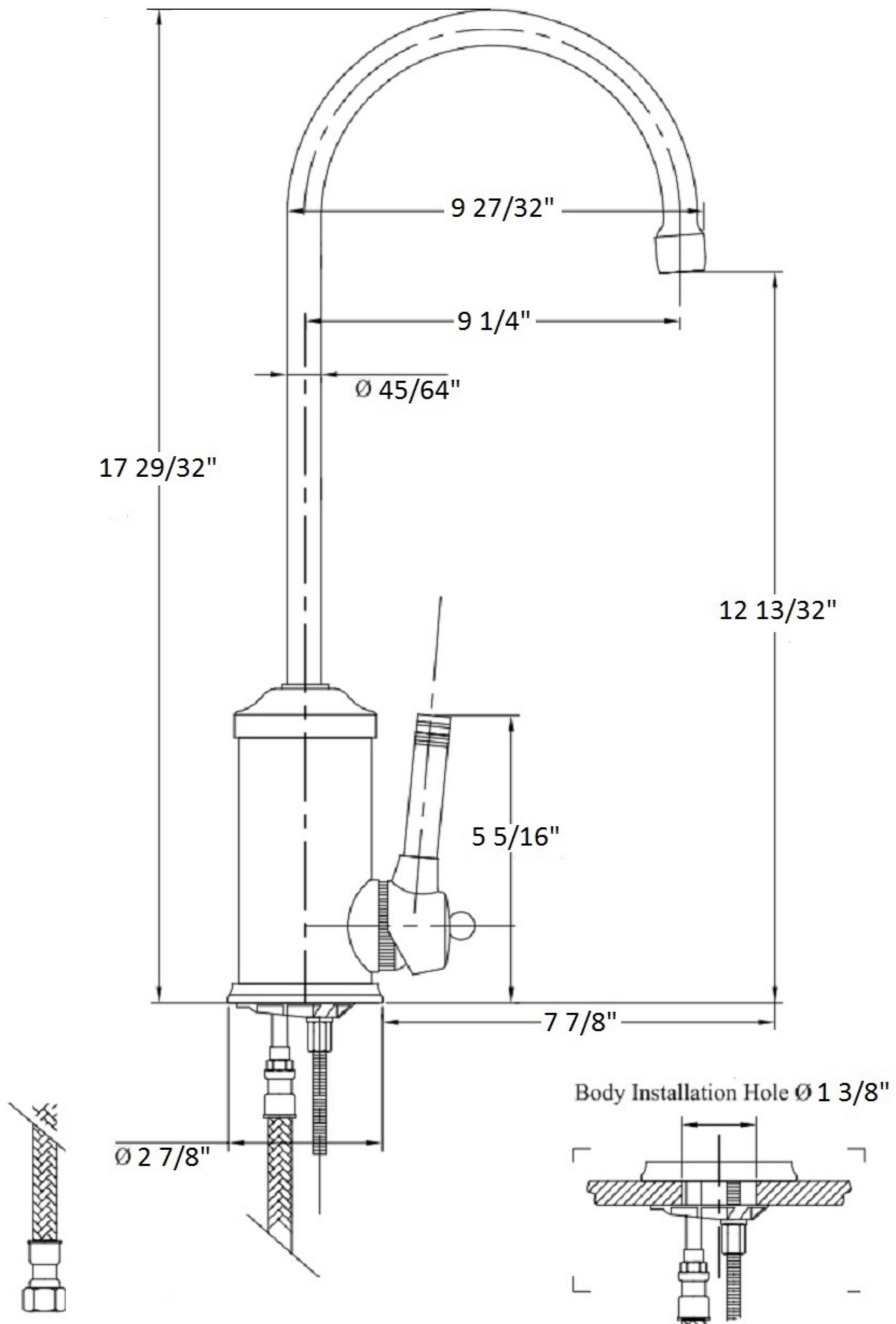
Please follow example when ordering parts for 'Lille' Mixer

- To order part#01 – Lille Spout
 - 990527**xx**
- Please substitute finish number needed in place of **xx**



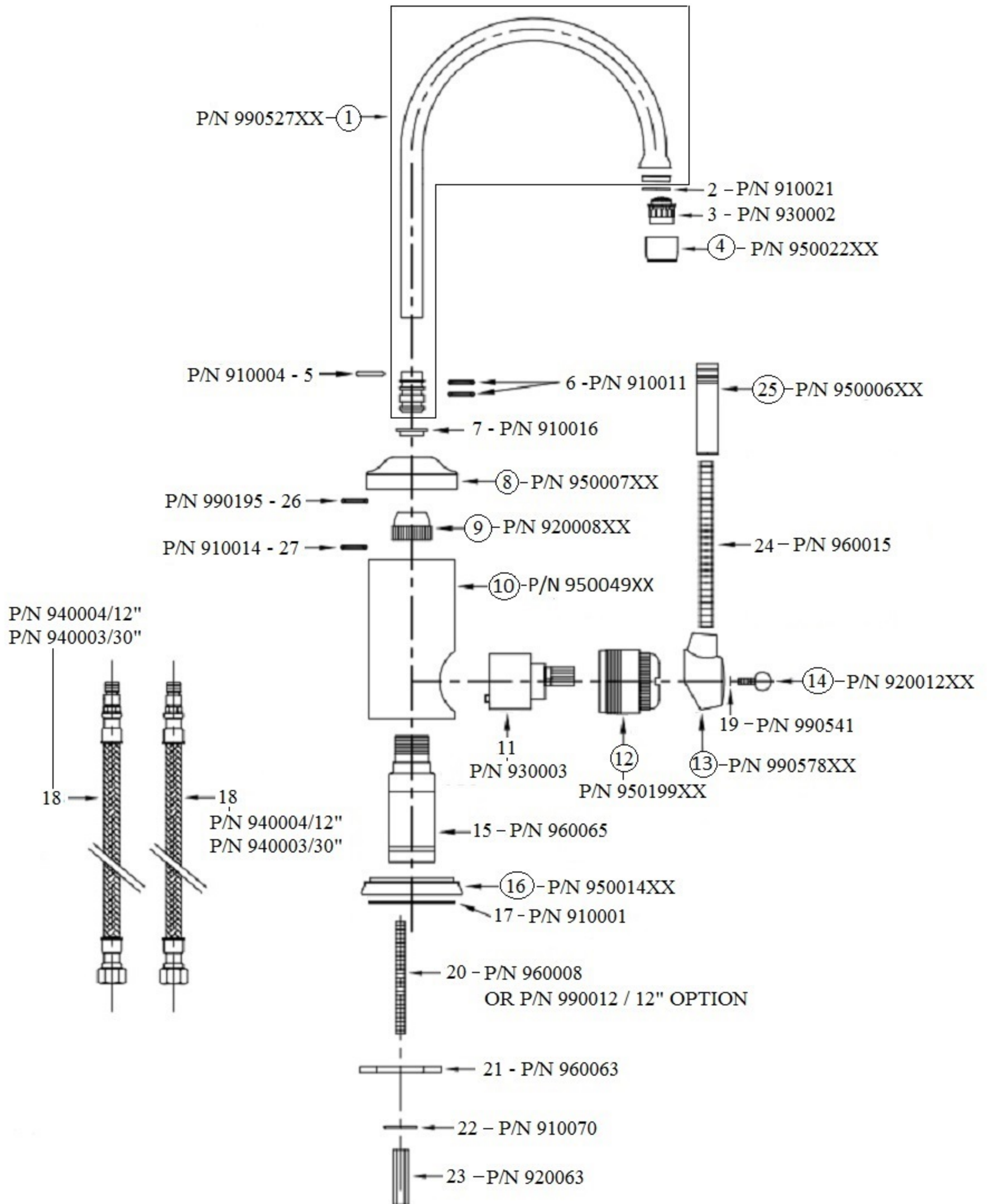
Herbeau®
L'Art du Sanitaire depuis 1857

4115 - 'Lille' Single Lever Deck Mount Mixer



4115 - 'Lille' Single Lever Deck Mount Mixer

*P/N = PART NUMBER



○ = FINISHED PARTS

XX = TWO DIGIT FINISH CODE