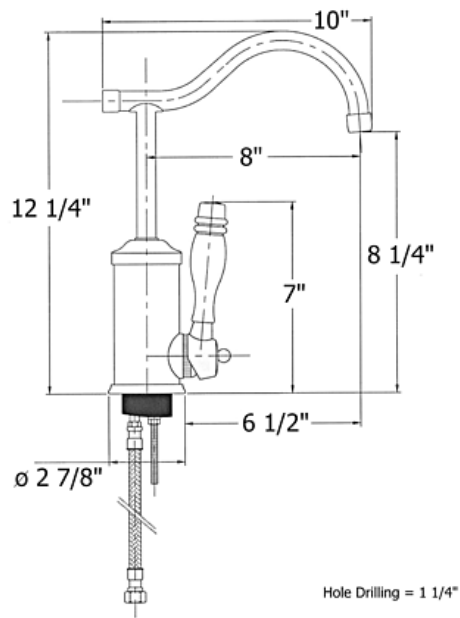


4105 - 'Flamande' Single Lever Mixer



Technical Information

- IAPMO: NSF/ANSI 61, NSF/ANSI 372 & ASME A112.18.1/CSA B125.1 certified.
- Uses Flühs ceramic cartridge.
- Requires 1 1/4" hole drilling.
- Maximum flow rate is 1.2 GPM with low flow restrictor.
- If counter is thicker than 1 3/4", Part #18 (Threaded Stem) must be special ordered in a longer size.
- Available finishes are French Weathered Copper & Brass (46), French Weathered Brass (47), Polished Chrome (48), SoliBrass (49), Lacquered Matte Black Nickel (50), Polished Brass (55), Polished Nickel (56), Brushed Nickel (57), Polished Copper & Brass (58), Weathered Copper & Brass (59), Satin Nickel (60), Antique Lacquered Copper & Brass (67), Antique Lacquered Brass (68), Weathered Brass (70), Lacquered Polished Black Nickel (71) and Lacquered Polished Copper (80).
- Faucet ships with wood handle (63). Specify (20) for ceramic handle.
- Please See Cleaning Instructions: <http://herbeau.com/CleaningAll.pdf> For Finish Care and Maintenance Information.

| Part # | Description |
|--------|--|
| 01 | Screw Thread |
| 02 | Aerator Washer |
| 03 | Aerator Filter |
| 04 | Aerator Cover/Spout Tip |
| 05 | Nylon Clip |
| 06 | Rubber O-Ring |
| 07 | Plastic Washer |
| 08 | Brass Dome |
| 09 | Swan Nut |
| 10 | Body |
| 11 | Single Lever Ceramic Cartridge |
| 12 | Cartridge Holding Nut - Hex |
| 13 | Handle Base |
| 14 | Round Screw |
| 15 | Inner Valve Body |
| 16 | Lower Escutcheon |
| 17 | Flat Rubber Washer |
| 18 | 3/8" X 12" Flexible Supply Hose |
| 18 | Optional 3/8" X 30" Flexible Supply Hose |
| 19 | Washer |
| 20 | Threaded Stem |
| 20 | Optional 12" Long Threaded Stem |
| 21 | Mounting Plate |
| 22 | Brass Washer |
| 23 | Hex Mounting Nut |
| 24 | Threaded Stem |
| 24 | Finished Screw For Ceramic |
| 25 | Ceramic Insert |
| 25 | Finished Metal Washer |
| 26 | Decorative Finished Nut |
| 26 | Rubber O-Ring |
| 27 | Wood or Ceramic Handle |
| 91 | Flamande Spout Assembly |
| 94 | Handle Assembly Wood or White Porcelain |

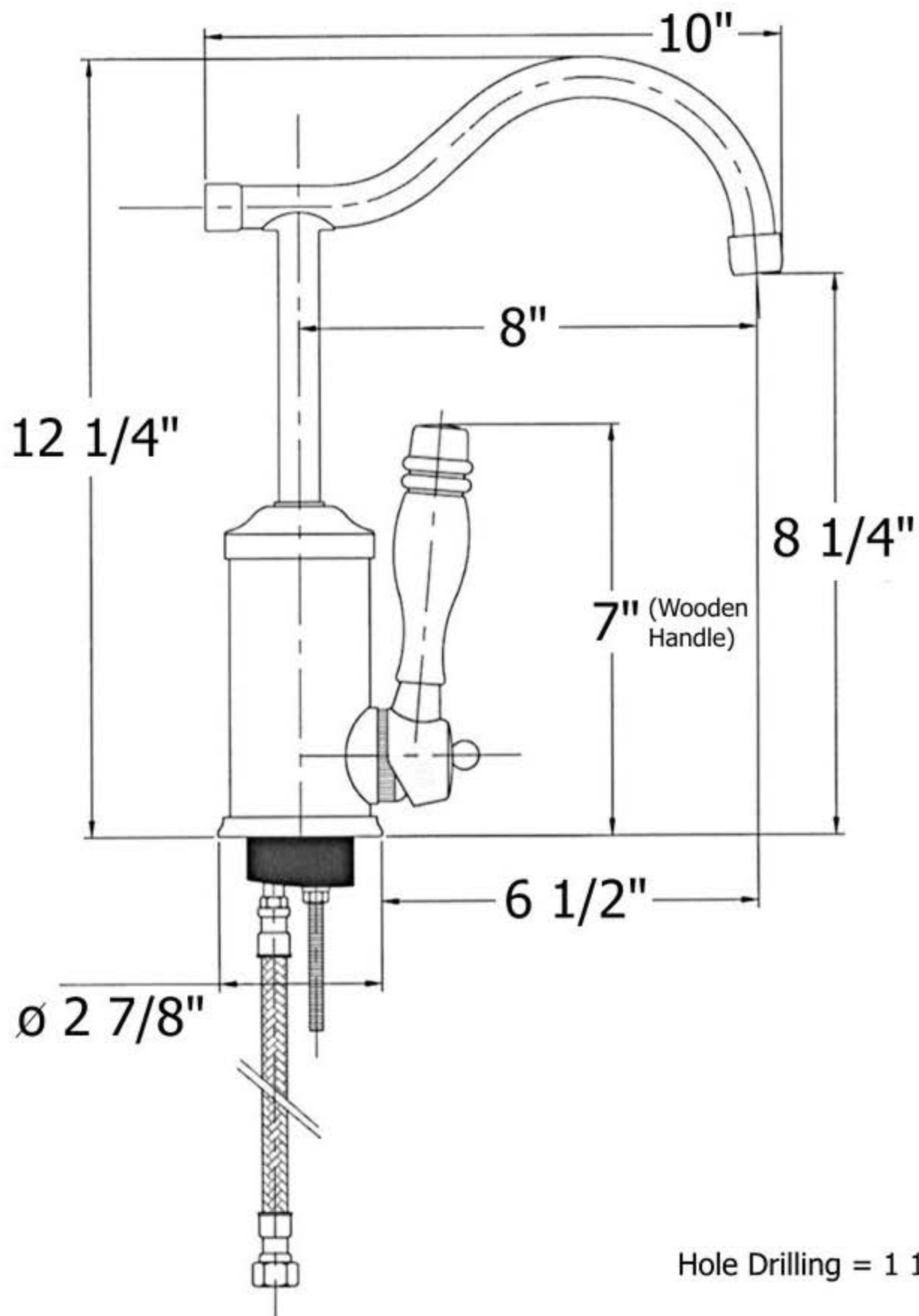
Please follow example when ordering parts for 'Flamande' Mixer

- To order part#09 – Swan Nut
 - 920008xx
- Please substitute finish number needed in place of **xx**



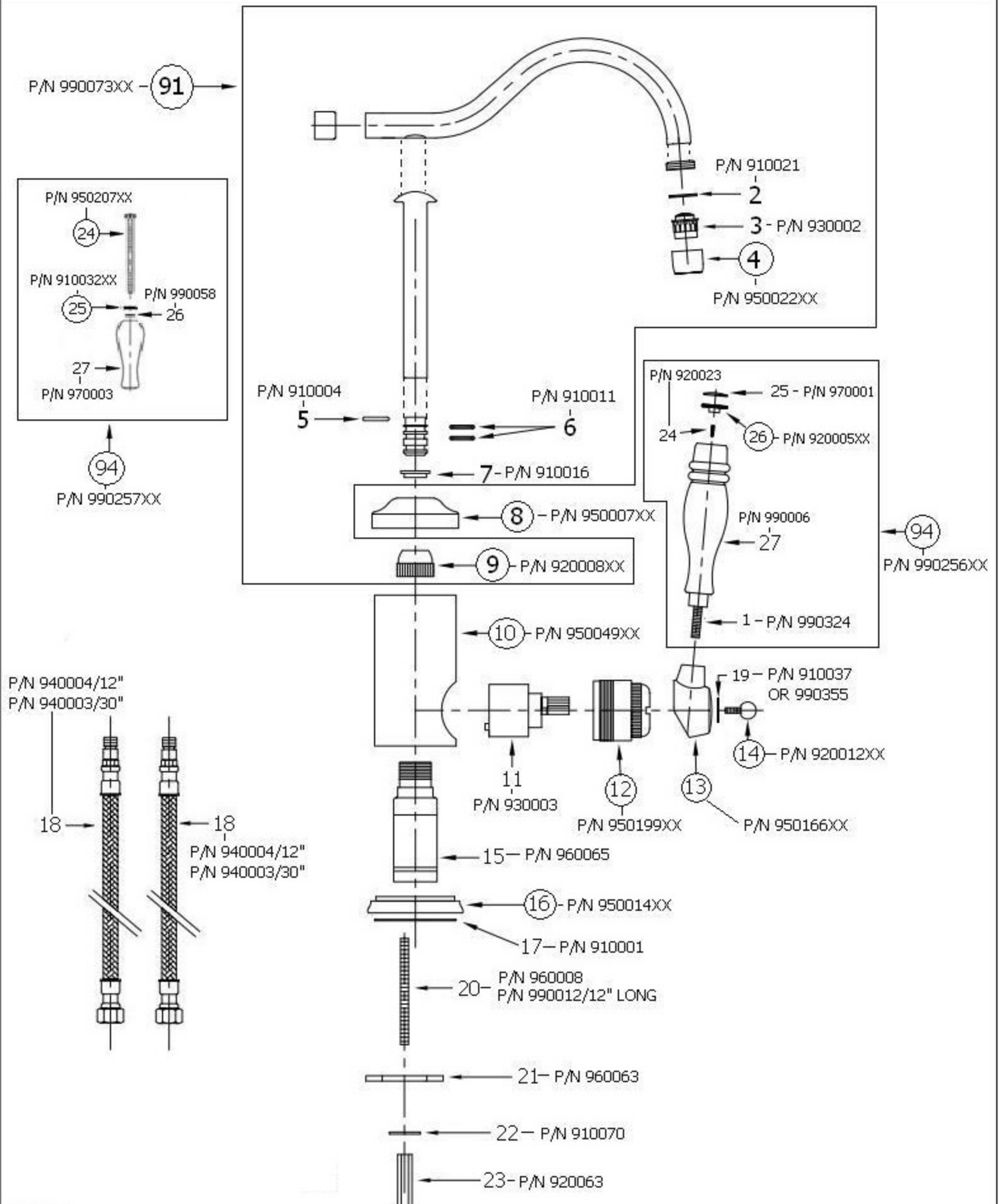
Herbeau[®]
L'Art du Sanitaire depuis 1857

4105 - 'Flamande' Single Lever Mixer



4105 - 'Flamande' Single Lever Mixer

*P/N = PART NUMBER



○ = FINISHED PARTS

XX = TWO DIGIT FINISH CODE