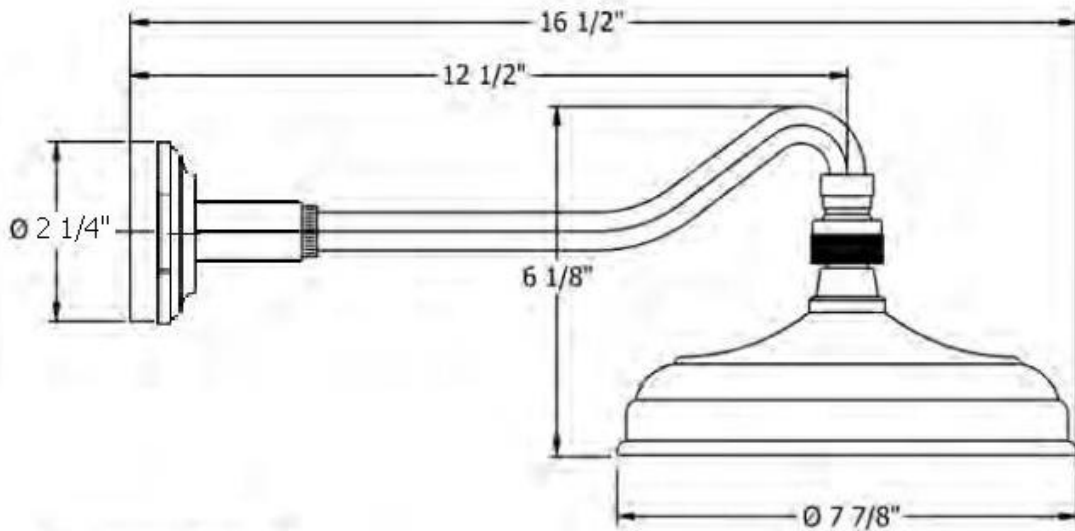


3665 - 'Monarque' Adjustable Showerhead, Arm & Flange



Technical Information

- Swiveling head.
- Shower head: 8" diameter.
- Shower arm connection: 1/2" female.
- Projection: 16 1/2".
- Size: 6 1/8" high.
- Maximum flow rate is 1.8 GPM with low flow restrictor.
- Available finishes are French Weathered Brass (**47**), Polished Chrome (**48**), SoliBrass (**49**), Lacquered Matte Black Nickel (**50**), Old Gold (**52**), Old Silver (**53**), Polished Brass (**55**), Polished Nickel (**56**), Brushed Nickel (**57**), Satin Nickel (**60**), Antique Lacquered Copper (**67**), Antique Lacquered Brass (**68**), Weathered Brass (**70**), Lacquered Polished Black Nickel (**71**) and Lacquered Polished copper (**80**).
- Please See Cleaning Instructions:
<http://herbeau.com/CleaningAll.pdf> For Finish Care and Maintenance Information.

Part#

01
02
03
04
05
06
11

Description

Wall Escutcheon
Rubber O-Ring
Monarque Shower Arm
Head Swivel Kit
1/2" Washer
Low Flow Restrictor
Showerhead

Please follow example when ordering parts for 'Monarque' Adjustable Showerhead, Arm & Flange

- To order part #03 – Monarque Shower Arm

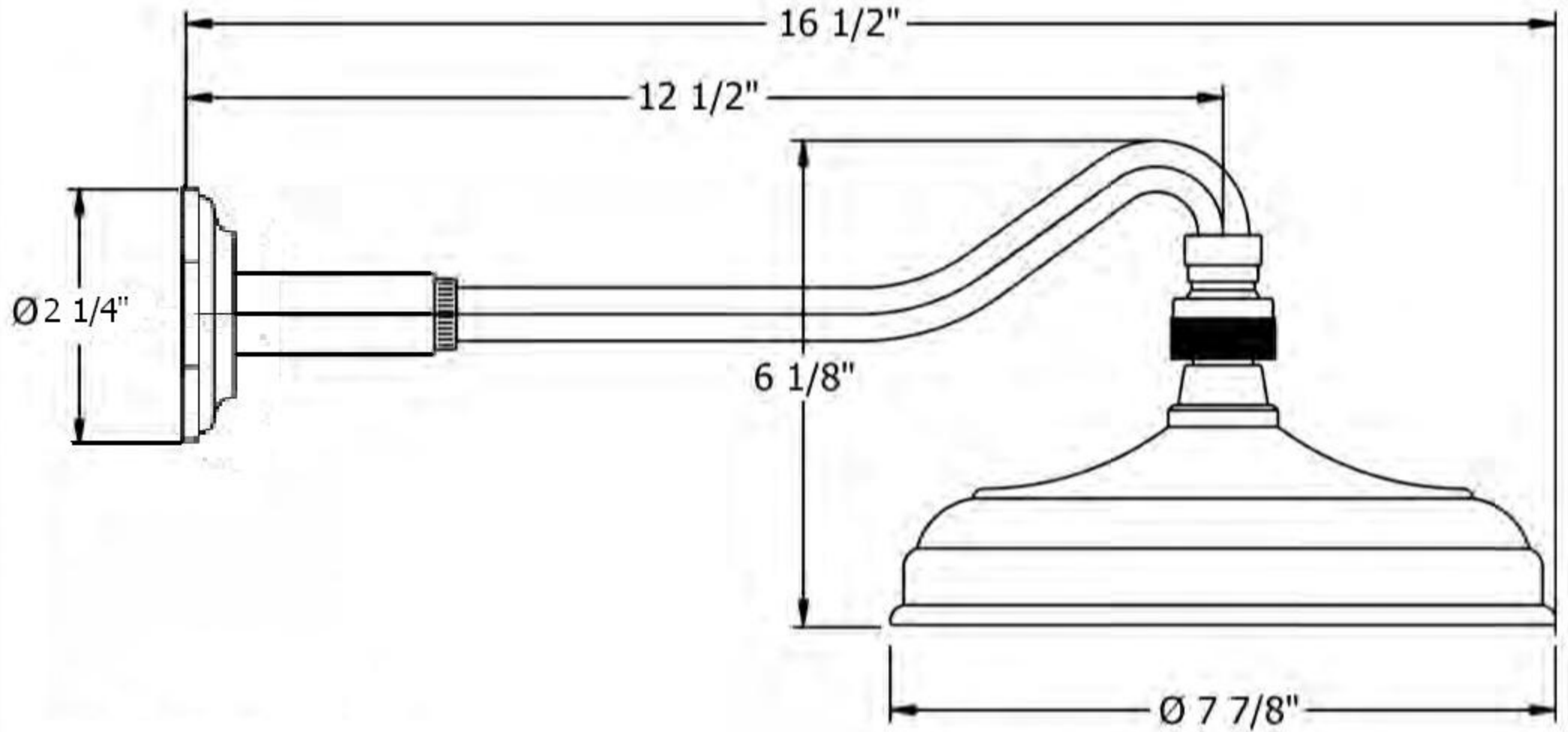
○ 990176xx

- Please substitute finish number needed in place of **xx**



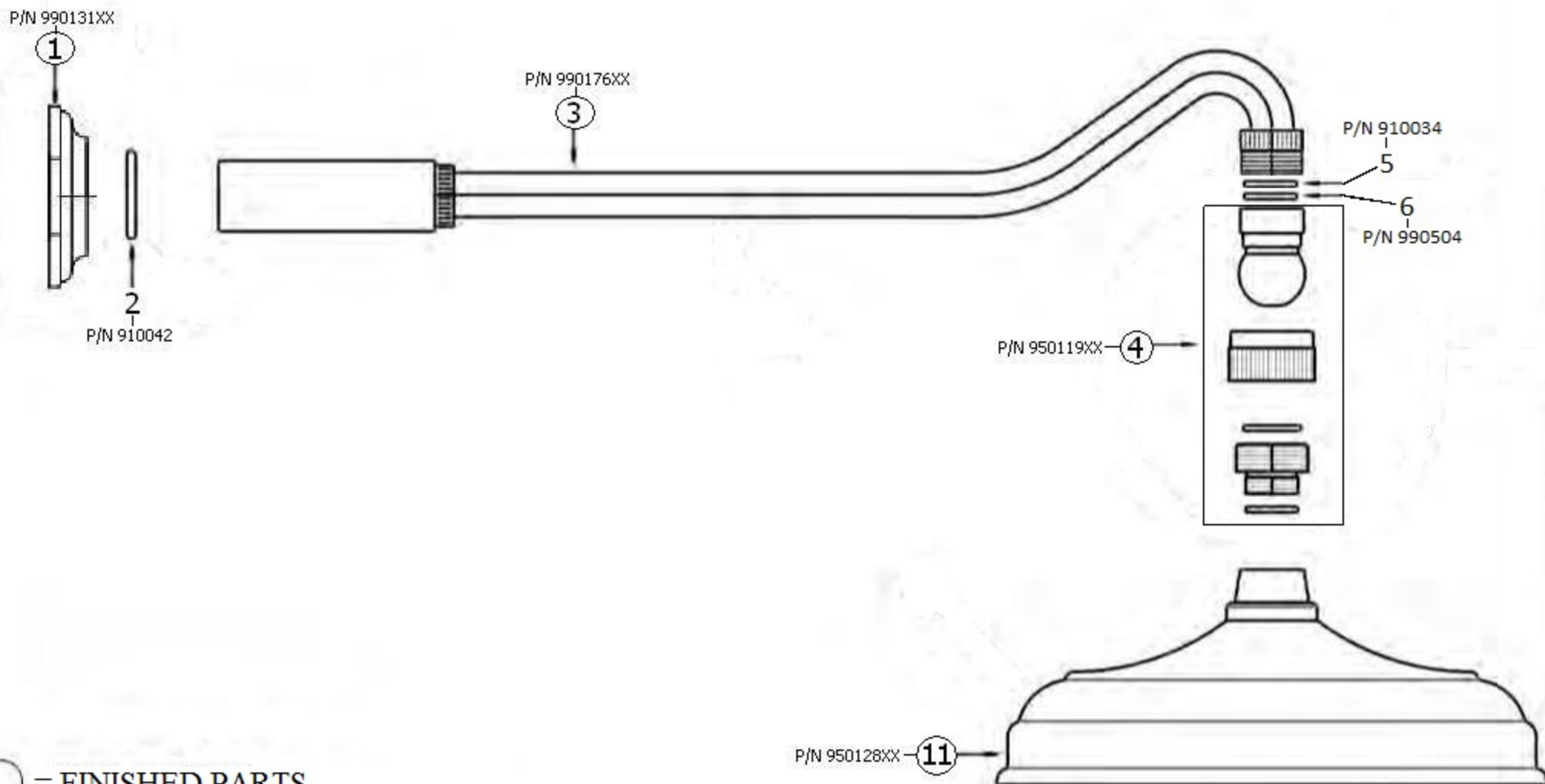
Herbeau[®]
L'Art du Sanitaire depuis 1857

3665 - 'Monarque' Adjustable Showerhead, Arm & Flange



3665 - 'Monarque' Adjustable Showerhead, Arm & Flange

*P/N = PART NUMBER



○ = FINISHED PARTS

XX = TWO DIGIT FINISH CODE