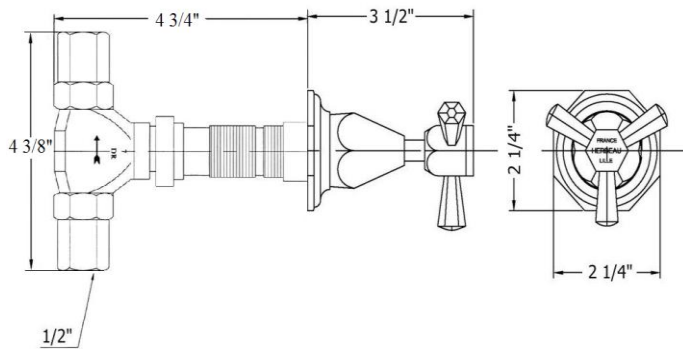


# 3645 - 'Monarque' Wall Valve 1/2"



Part#	Description
15	Ceramic Insert
16	Flat Rubber Washer
85	1/2 Turn Ceramic Cartridge
90	Monarque Insert Assembly
91	Monarque Handle Assembly

## Technical Information

- IAPMO: NSF/ANSI 61, NSF/ANSI 372 & ASME A112.18.1/CSA B125.1 (CEC)-2012 - Mechanical Plumbing Products Program Certified.
- 1/2 turn ceramic Flühs cartridge.
- 1/2" female connections.
- Controls volume only.
- Available finishes are French Weathered Brass (**47**), Polished Chrome (**48**), SoliBrass (**49**), Lacquered Matte Black Nickel (**50**), Old Gold (**52**), Old Silver (**53**), Polished Brass (**55**), Polished Nickel (**56**), Brushed Nickel (**57**), Satin Nickel (**60**), Antique Lacquered Copper (**67**), Antique Lacquered Brass (**68**), Weathered Brass (**70**), Lacquered Polished Black Nickel (**71**) and Lacquered Polished Copper (**80**).
- Please See Cleaning Instructions: <http://herbeau.com/CleaningAll.pdf> For Finish Care and Maintenance Information.

Part#	Description
01	1/2 Turn Cartridge Housing
02	1/2" Brass Adapter
03	Brass Hexagon Tube
04	Brass Extension
03+04	6" Extension Kit
05	Rubber O-Ring
06	Wall Escutcheon
07	Inner Trim Housing
08	Monarque Cartridge Dome
09	Handle Stem
10	Monarque Handle Center
11	Monarque Horizontal Handle Stem
12	Handle Screw
13	Monarque Insert Holder
14	Rubber O-Ring

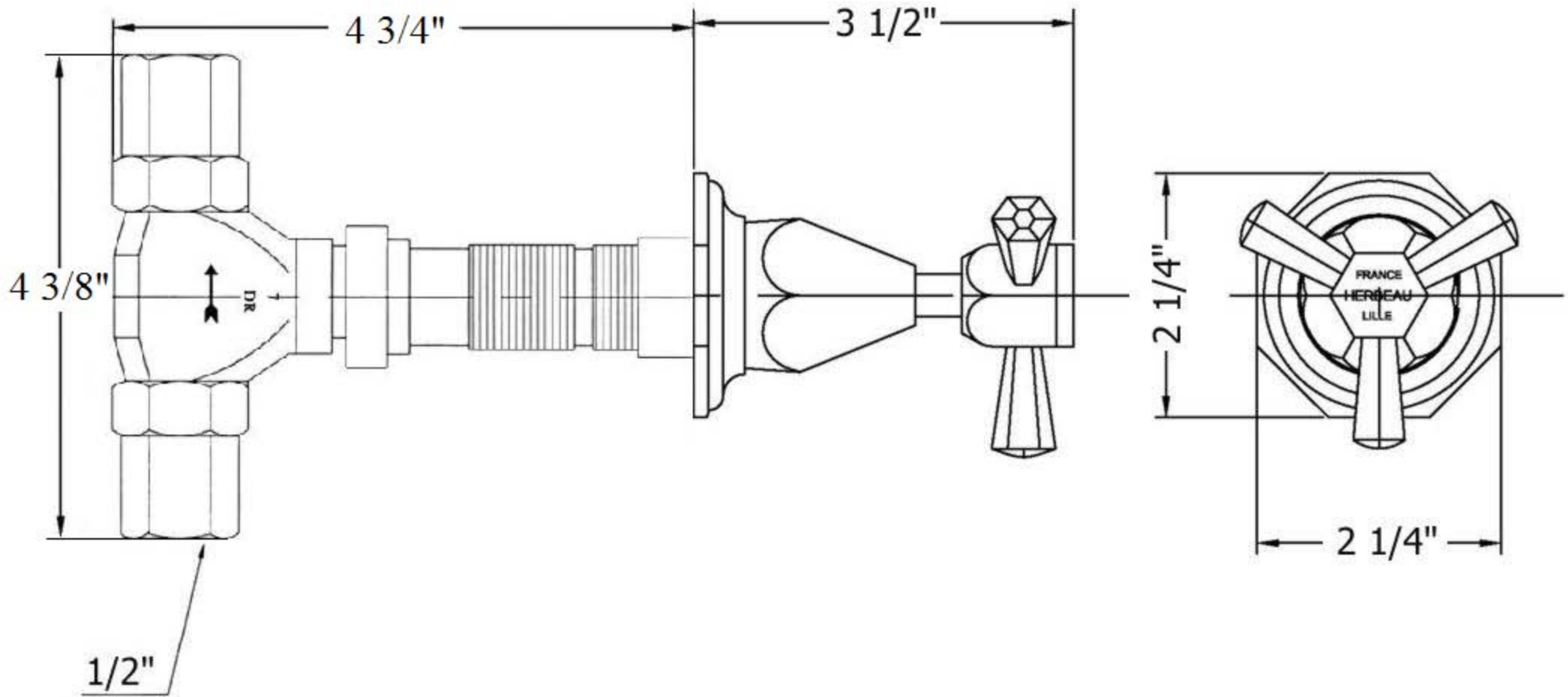
Please follow example when ordering parts for 'Monarque' Wall Valve 1/2"

- To order part #08 – Monarque Cartridge Dome
  - 990097xx
- Please substitute finish number needed in place of XX



Herbeau®  
L'Art du Sanitaire depuis 1857

# 3645 - 'Monarque' Wall Valve 1/2"

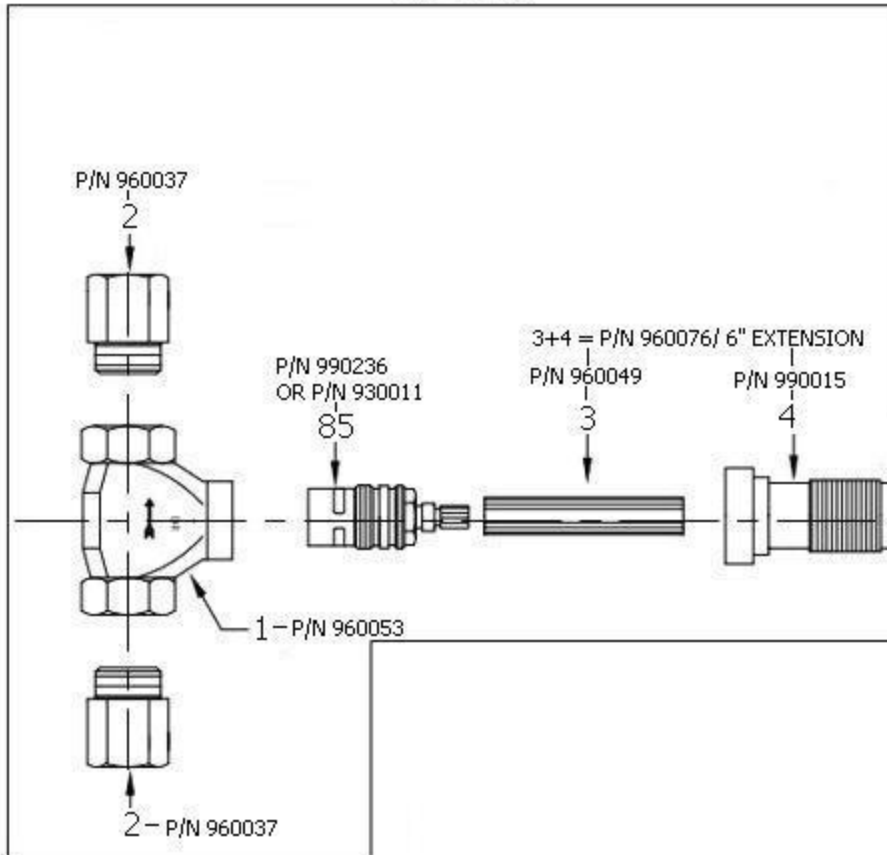


# 3645 - 'Monarque' Wall Valve 1/2"

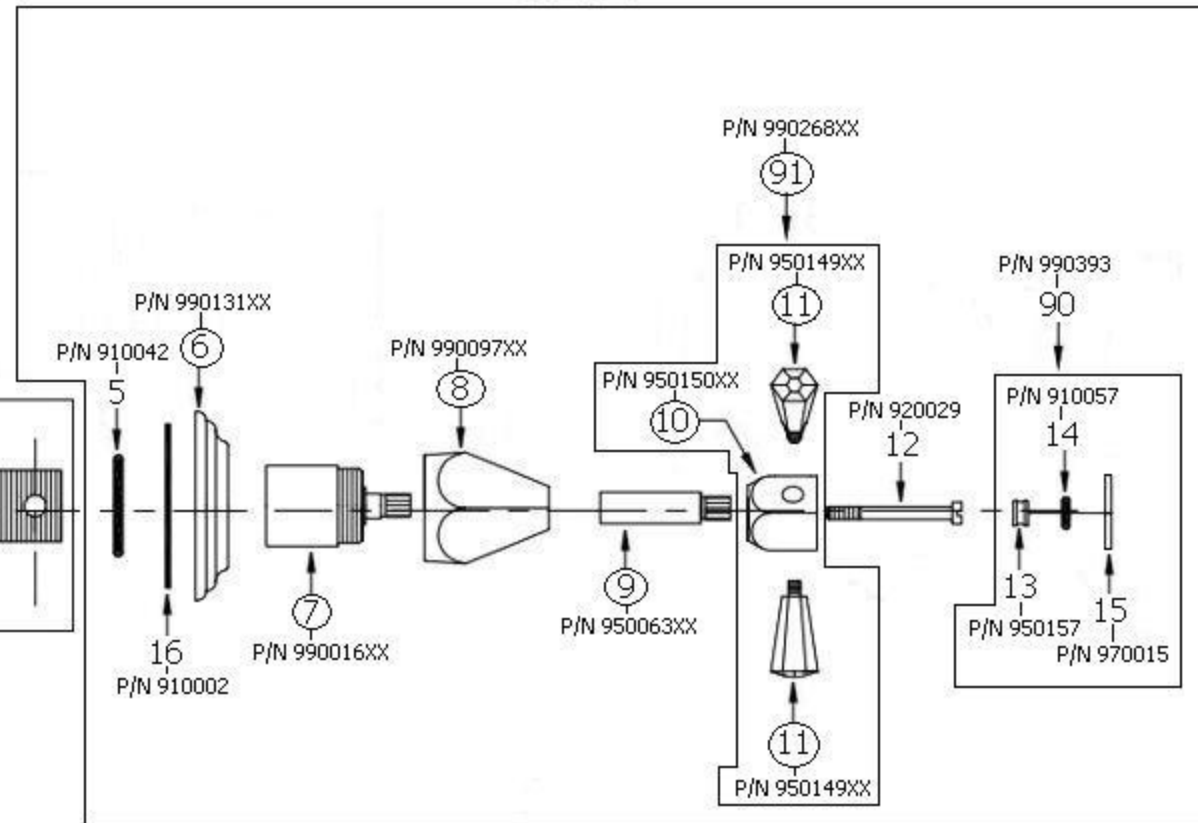
P/N 990236 AND 930011 WILL BOTH FIT ALL MODELS OF 3645.

\*P/N = PART NUMBER

## 3645-R



## 3645-T



○ = FINISHED PARTS

XX = TWO DIGIT FINISH CODE