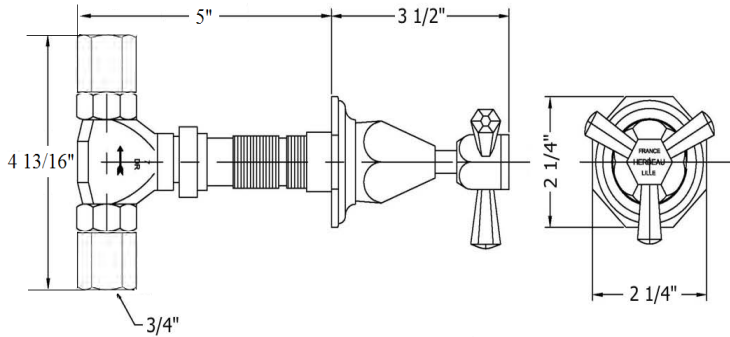


3644 - 'Monarque' Wall Valve 3/4"



Part#	Description
13	Monarque Insert Holder
14	Rubber O-Ring
15	Ceramic Insert
16	Flat Rubber Washer
85	3/4" Ceramic Cartridge
90	Monarque Insert Assembly
91	Monarque Handle Assembly

Technical Information

- 3/4" female connection.
- Controls volume only.
- Available finishes are French Weathered Brass (47), Polished Chrome (48), SoliBrass (49), Lacquered Matte Black Nickel (50), Old Gold (52), Old Silver (53), Polished Brass (55), Polished Nickel (56), Brushed Nickel (57), Satin Nickel (60), Antique Lacquered Copper (67), Antique Lacquered Brass (68), Weathered Brass (70), Lacquered Polished Black Nickel (71) and Lacquered Polished Copper (80).
- Please See Cleaning Instructions: <http://herbeau.com/CleaningAll.pdf> For Finish Care and Maintenance Information.

Part#	Description
01	Valve Body
02	3/4" Adapter
03	Brass Hexagon Tube
04	Brass Extension
03+04	6" Extension Kit
05	Rubber O-Ring
06	Wall Escutcheon
07	Inner Trim Housing
08	Monarque Cartridge Dome
09	Handle Stem
10	Monarque Handle Center
11	Monarque Horizontal Handle Stem
12	Handle Screw

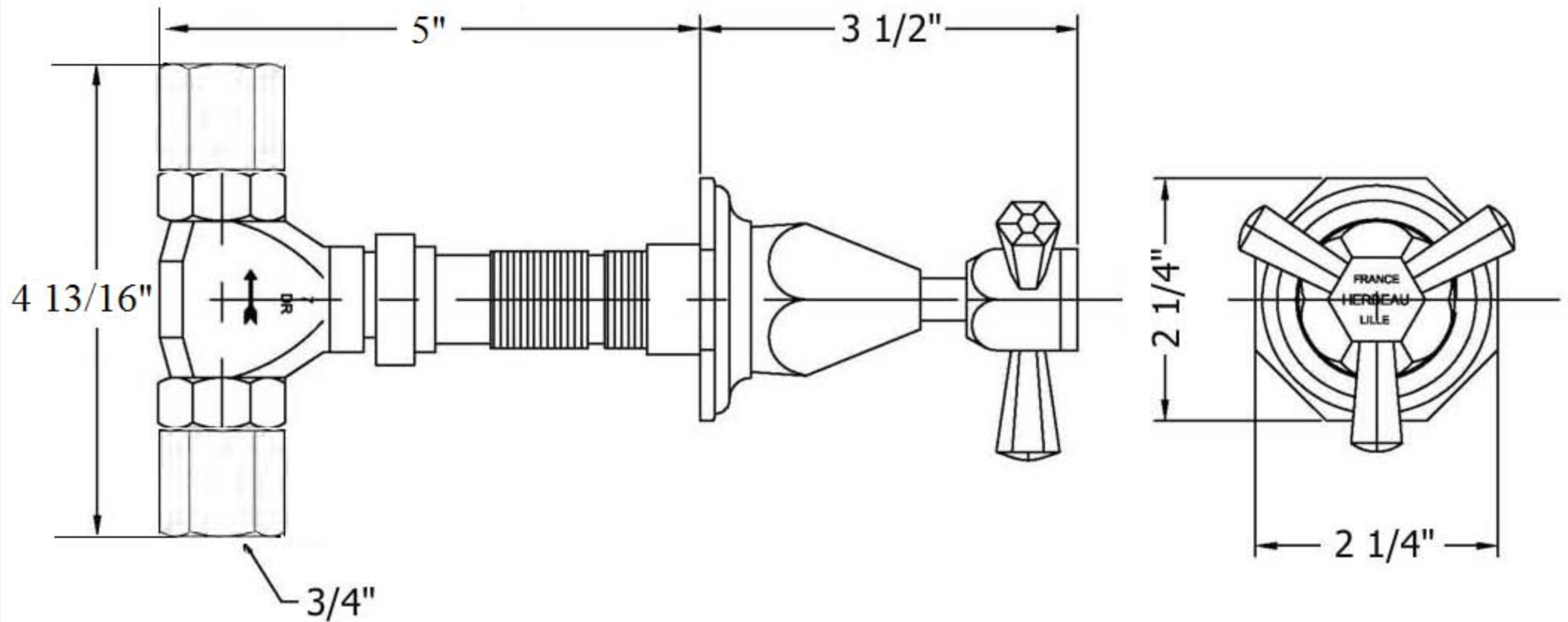
Please follow example when ordering parts for 'Monarque' Wall Valve

- To order part #08 – Monarque Cartridge Dome
 - 990097xx
- Please substitute finish number needed in place of xx



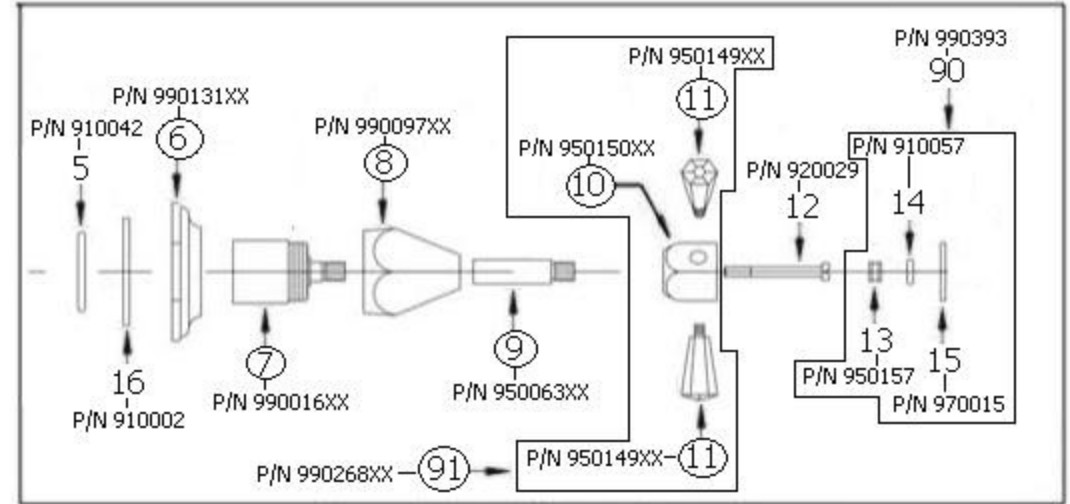
Herbeau[®]
L'Art du Sanitaire depuis 1857

3644 - 'Monarque' Wall Valve 3/4"



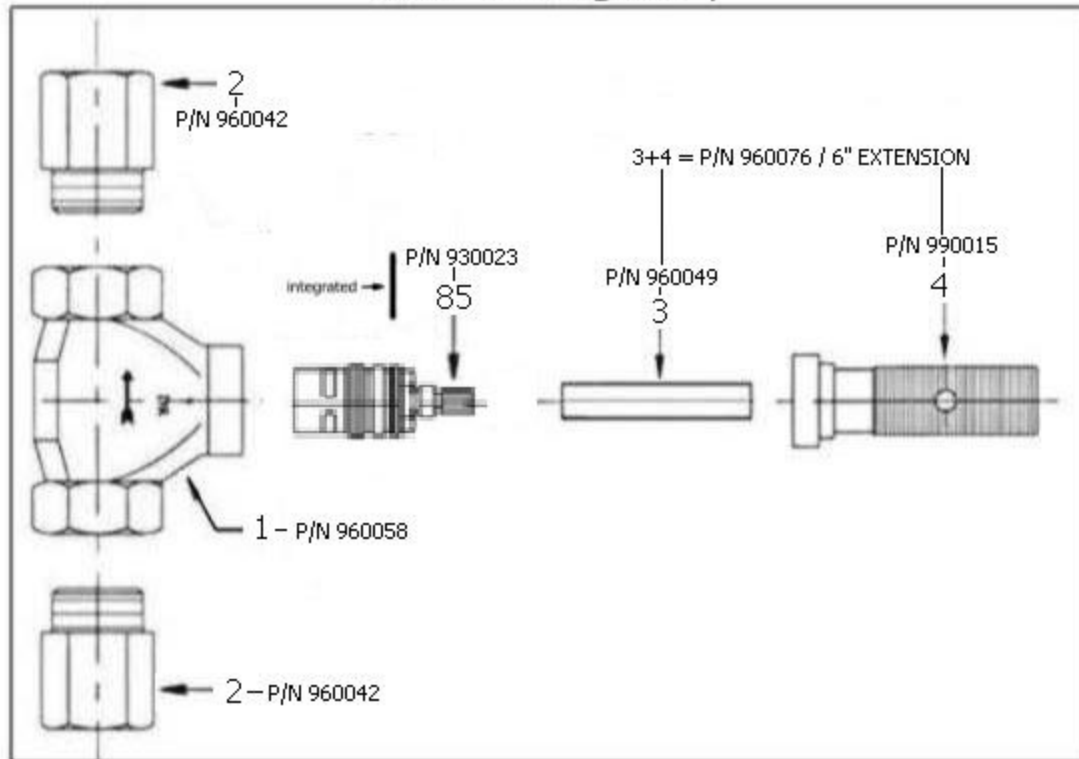
3644 - 'Monarque' Wall Valve 3/4"

*P/N = PART NUMBER



3644(Finish)-T Trim only

3644-R Rough only



○ = FINISHED PARTS
XX = TWO DIGIT FINISH CODE