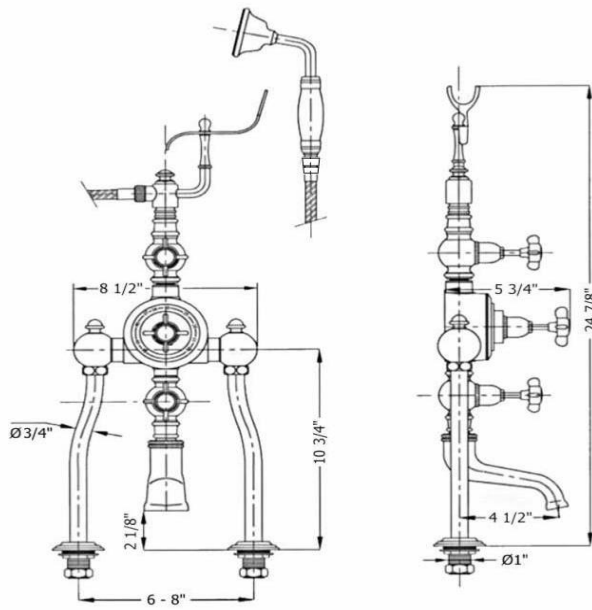


3405 - 'Royale' Exposed Thermostatic Tub & Shower Mixer Deck Mounted



FLOWRATES
 TUB SPOUT:
 = APPROX. 5.38 GPM
 HANDSPRAY:
 = APPROX. 1.8 GPM

FLOW RATES LISTED
 ABOVE ARE BASED ON
 USE OF 3/4" SUPPLY
 LINES AND WILL VARY
 DEPENDING ON WATER
 PRESSURE.

Part#	Description
31	F3/4" - M3/4" NPT Adapter
40	Valve Body
42	1/2 Turn Ceramic Ecobross Cartridge
44	Bell Escutcheon
45	Handle Stem
46	Cross Handle
47	Washer
48	Handle Screw
49	Finished Insert Holder
50	Black Logo Ceramic Insert
51	H/S Holder Body
52	Rubber O-Ring
53	M3/4" - M1/2" Reducer
60	3405 Main Body
61	Thermostat Stop Plate
62	Finished Dial Plate
63	Square Tube
64	Swivel Bushing
65	Complete Finished Scold Stop Kit
71	Valve Button
72	Integral Stop
73	Bell Escutcheon & Stem
90	Royale Finished Ceramic Insert Black Logo
92	Complete Hand Shower With Ceramic Handle
93	3/4" Thermostatic Cartridge With Plate

Technical Information

- Tub filler flow rate is 5.38 GPM.
- Personal hand shower maximum flow rate is 1.8 GPM with new low flow restrictor.
- Flow rates are based on use of 3/4" supply lines and will vary depending on water pressure.
- Uses Flühs ceramic volume control cartridges.
- Integral shut-off valves.
- 3/4" connections.
- 5' hand shower hose.
- Available finishes are French Weathered Brass (47), Polished Chrome (48), SoliBrass (49), Lacquered Matte Black Nickel (50), Old Gold (52), Old Silver (53), Polished Brass (55), Polished Nickel (56), Brushed Nickel (57), Satin Nickel (60), Antique Lacquered Copper (67), Antique Lacquered Brass (68), Weathered Brass (70), Lacquered Polished Black Nickel (71) and Lacquered Polished Copper (80).
- Please See Cleaning Instructions: <http://herbeau.com/CleaningAll.pdf> For Finish Care and Maintenance Information.

Part#	Description
01	Finished Knob
02	Hand Shower Holder
06	Screw
08	Brass Handle Screw
09	Low Flow Restrictor
10	Hand Spray Column
11	Nut
12	Escutcheon Connector
13	1/2" Washer
14	5' Complete Finished Hand Spray Hose
15	Rubber O-Ring
16	Ceramic Handle
17	White Rubber Ring
19	Rubber O-Ring
20	Spout Connector
22	Tub Spout
23	Flat Rubber Washer
24	3405 Deck Riser
25	Escutcheon
27	Metal Ring & Rubber Washer
28	3/4" Washer
29	Brass Hex Nut

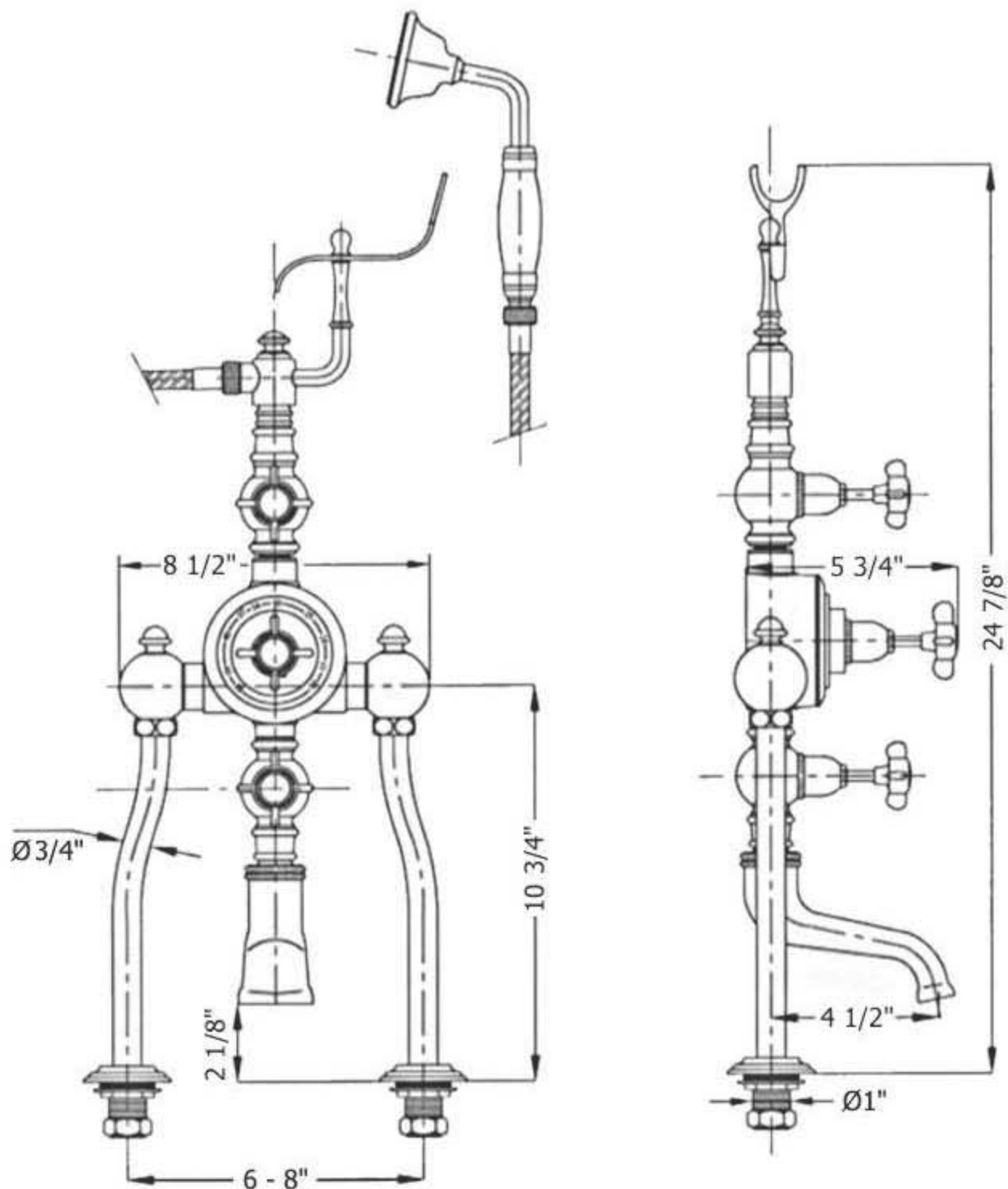
Please follow example when ordering parts for 'Royale' Exposed
Thermostatic Tub & Shower Mixer

- To order part#46 – Cross Handle
 - 950064**xx**
- Please substitute finish number needed in place of **xx**



Herbeau[®]
L'Art du Sanitaire depuis 1857

3405 - 'Royale' Exposed Thermostatic Tub & Shower Mixer Deck Mounted



FLOWRATES

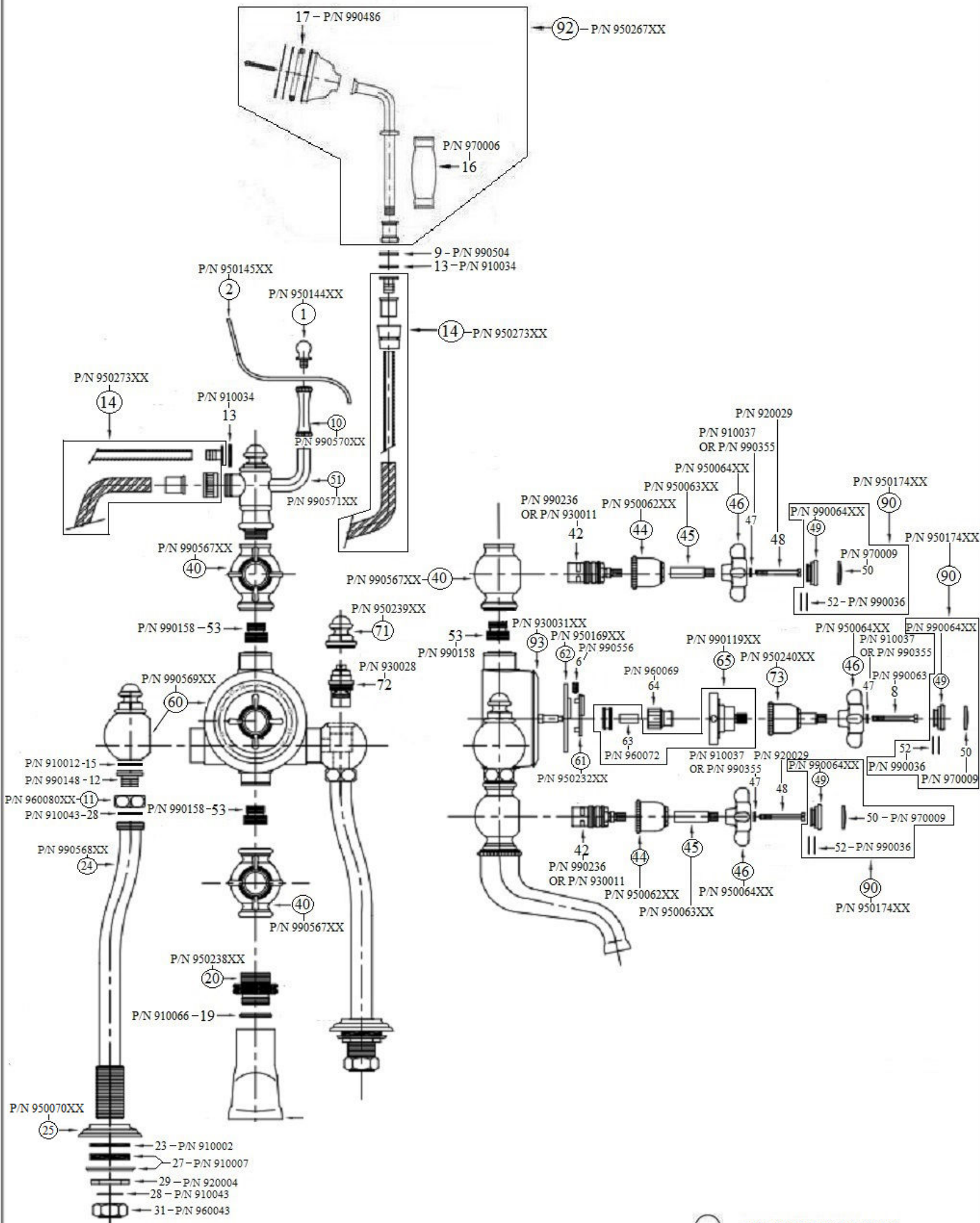
TUB SPOUT:
= APPROX. 5.38 GPM
HANDSPRAY:
= APPROX. 1.8 GPM

FLOW RATES LISTED
ABOVE ARE BASED ON
USE OF 3/4" SUPPLY
LINES AND WILL VARY
DEPENDING ON WATER
PRESSURE.

3405 - 'Royale' Exposed Thermostatic Tub & Shower Mixer Deck Mounted

**CARTRIDGE PART # 990236 IS FOR UNITS AFTER 9/2009.
CARTRIDGE PART# 930011 FITS ALL YEARS OF 3405.**

*P/N = PART NUMBER



○ = FINISHED PARTS
XX = TWO DIGIT FINISH CODE