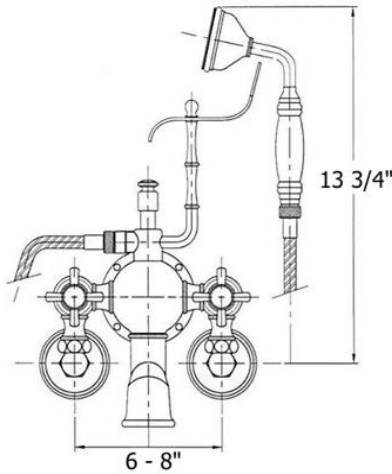
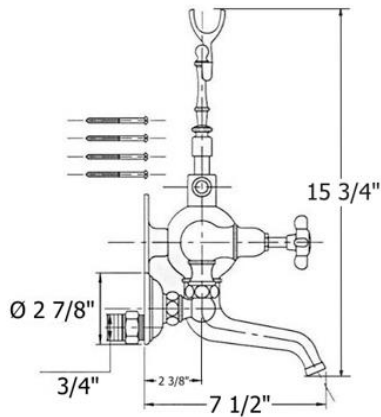


3031 - 'Royale' Exposed Tub & Shower Mixer Wall Mounted



Technical Information

- Maximum flow rate for tub spout is 9.14 GPM.
- Maximum flow rate for hand shower is 1.8 GPM with low flow restrictor.
- Adjustable 6" to 8".
- 3/4" male connection.
- 1/2 turn ceramic Flühs cartridges.
- Available finishes are French Weathered Brass (47), Polished Chrome (48), SoliBrass (49), Lacquered Matte Black Nickel (50), Old Gold (52), Old Silver (53), Polished Brass (55), Polished Nickel (56), Brushed Nickel (57), Satin Nickel (60), Antique Lacquered Copper (67), Antique Lacquered Brass (68), Weathered Brass (70), Lacquered Polished Black Nickel (71) and Lacquered Polished Copper (80).
- Please See Cleaning Instructions: <http://herbeau.com/CleaningAll.pdf> For Finish Care and Maintenance Information.

| Part# | Description |
|-------|-----------------------------------|
| 01 | Finished Knob |
| 02 | Hand Shower Holder |
| 03 | Ceramic Insert |
| 04 | Escutcheon 3/4" |
| 05 | Male - Male Adapter |
| 06 | Socket Adapter |
| 07 | Rubber O-Ring |
| 08 | Bracket Stem |
| 09 | Low Flow Restrictor |
| 13 | 1/2" Washer |
| 14 | 4' Hand Shower Hose |
| 16 | Ceramic Handle |
| 17 | White Rubber H/S Ring |
| 18 | Faucet Body |
| 19 | Rubber O-Ring |
| 20 | Spout Connector |
| 22 | Tub Spout |
| 23 | 3/4" Washer |
| 24 | Wall Connector |
| 35 | Bell Escutcheon |
| 36 | Handle Stem |
| 37 | Cross Handle |
| 38 | Washer |
| 39 | Handle Screw |
| 40 | Finished Insert Holder |
| 41 | Ceramic Insert Hot/Cold |
| 42 | Rubber O-Ring |
| 52 | Back Flow Restrictor |
| 54 | Wall Mount Screws |
| 55 | Royale Wall Plate F/3031 |
| 56 | Hex Nut |
| 57 | Threaded Stem |
| 85 | 1/2 Turn Ceramic Cartridge |
| 90 | Royale Finished Ceramic Insert |
| 91 | Diverter Kit |
| 92 | Complete Hand Shower With Ceramic |

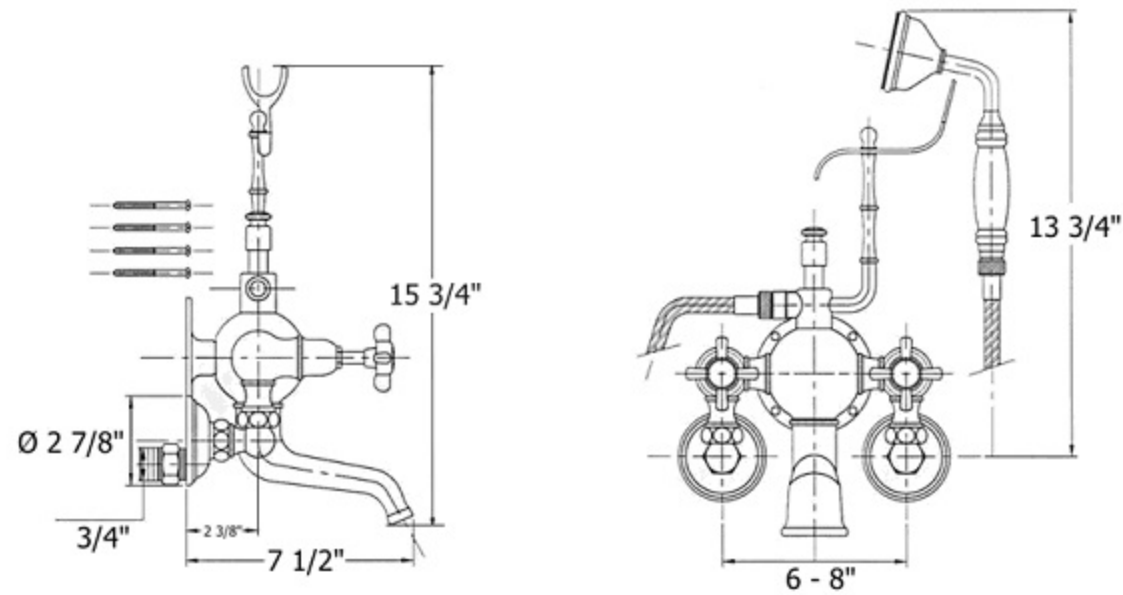
Please follow example when ordering parts for 'Royale' Tub /Shower Mixer

- To order part#01 – Finished Knob
 - 950144xx
- Please substitute finish number needed in place of XX



Herbeau[®]
L'Art du Sanitaire depuis 1857

3031 - 'Royale' Exposed Tub & Shower Mixer Wall Mounted

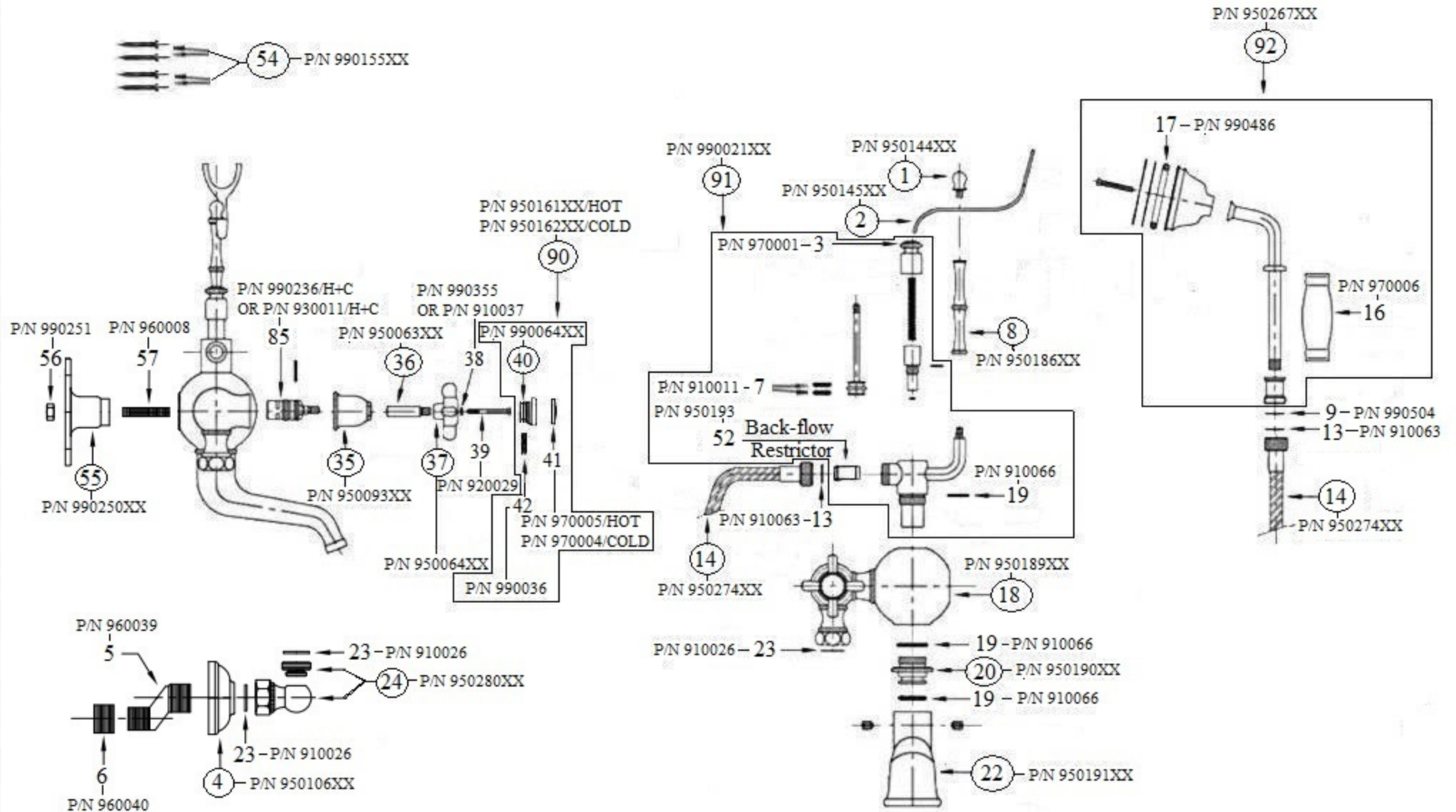


3031 - 'Royale' Exposed Tub & Shower Mixer Wall Mounted

*P/N = PART NUMBER

*P/N 990236 FITS POST 9/2009 MODELS OF 3031 ONLY

*P/N 930011 FITS ALL VERSIONS OF 3031



○ = FINISHED PARTS

XX = TWO DIGIT FINISH CODE