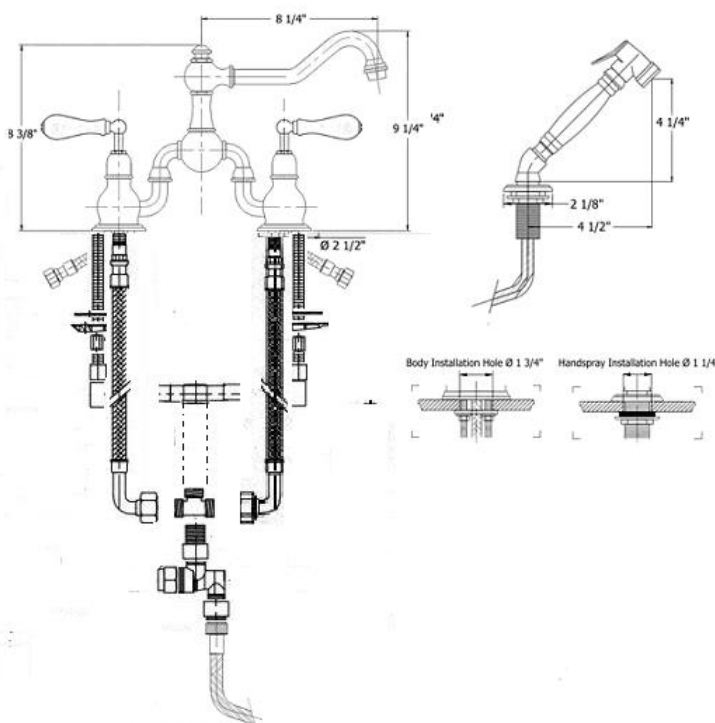


3027P - 'Royale' Two Hole Kitchen Mixer with Hand Spray



Part#	Description
29	Brass Horse Shoe
30	Brass Mounting Nut
31	Round Brass Connector
33	1/2" Washer
34	Copper T-Rough
35	3/8" Washer
36	3/8" T-Connector
37	Elbow Nut – Ecobross
46	Backflow Restrictor
48	Braided H/S Hose
49	Threaded Pipe
50	Threaded Stem
50	4 3/8" Extended Threaded Stem
51	Brass Hex Nut
52	Metal Ring & Rubber Washer
53	Flat Rubber Washer
54	Hand Spray Elbow
55	Rubber O-Ring
56	Hand Spray Coupler
57	Finished Wood or White Ceramic Handle
58	Threaded Supply Line
59	Finished H/S Flange
60	Hand Spray Escutcheon
61	Top Connector
62	H/S Head Assembly
63	Hex Nut
64	Plastic Aerator Inserts
64	4 Piece Grill Kit
67	Finished Aerator Screw
85	1/4 Turn Ecobross Ceramic Hot/Cold Cartridge
91	Diverter Brass Adapter Kit
92	Complete Hand Spray Kit
93	Black Plastic Diverter Block Kit
94	New Black Plastic Diverter Kit F/3027/3327

Technical Information

- IAPMO: NSF/ANSI 61, NSF/ANSI 372 & ASME A112.18.1/CSA B125.1 certified.
- 1/4 turn Flühs ceramic cartridges.
- Faucet valves require 1 3/4" hole drilling.
- Hand spray requires 1 1/4" hole drilling.
- 3/8" braided female supply line hoses.
- Maximum flow rate is 1.2 GPM.
- 8" C.T.C.
- Swiveling spout.
- Available with "20" white ceramic or "63" finished wood handles.
- For complete hand spray, hose & escutcheon mount, order part# 450763XX or 450720XX.
- Available finishes are French Weathered Brass (47), Polished Chrome (48), SoliBrass (49), Lacquered Matte Black Nickel (50), Polished Brass (55), Polished Nickel (56), Brushed Nickel (57), Satin Nickel (60), Antique Lacquered Copper (67), Antique Lacquered Brass (68), Weathered Brass (70), Lacquered Polished Black Nickel (71) and Lacquered Polished Copper (80).
- Please See Cleaning Instructions On Herbeau Website: <http://herbeau.com/CleaningAll.pdf> For Finish Care and Maintenance.

Part#	Description
01	Top Knob
02	Finished Washer
03	Spout 8 1/4" - Ecobross
04	Aerator Washer
05	Aerator Filter
06	Aerator Cover
07	Sealing Screw
08	Spout O-Ring
09	Body – Ecobross
10	Bridge Union
11	Rubber O-Ring
12	Vertical Handle Screw
13	Finished Ball
14	Finished Wood or White Ceramic Handle
15	Finished Metal Washer
16	Handle Screw
17	Handle Escutcheon
18	Handle Stem
19	Bell Escutcheon
20	Rubber Horse Shoe Washer
21	Valve Body With Elbow
22	Escutcheon
23	Rubber Washer
24	90° Elbow Supply Hose
25	12" X 3/8" Supply Hose
26	1/2" Washer
27	Threaded Supply Line
28	Rubber O-Ring

Please follow example when ordering parts for 'Royale' Two Hole Kitchen Mixer With Hand Spray

- To order part #03 – Spout
 - 950100**xx**
- Please substitute finish number needed in place of **xx**



Herbeau[®]
L'Art du Sanitaire depuis 1857

3027P - 'Royale' 2 Hole Kitchen Mixer with Hand Spray

