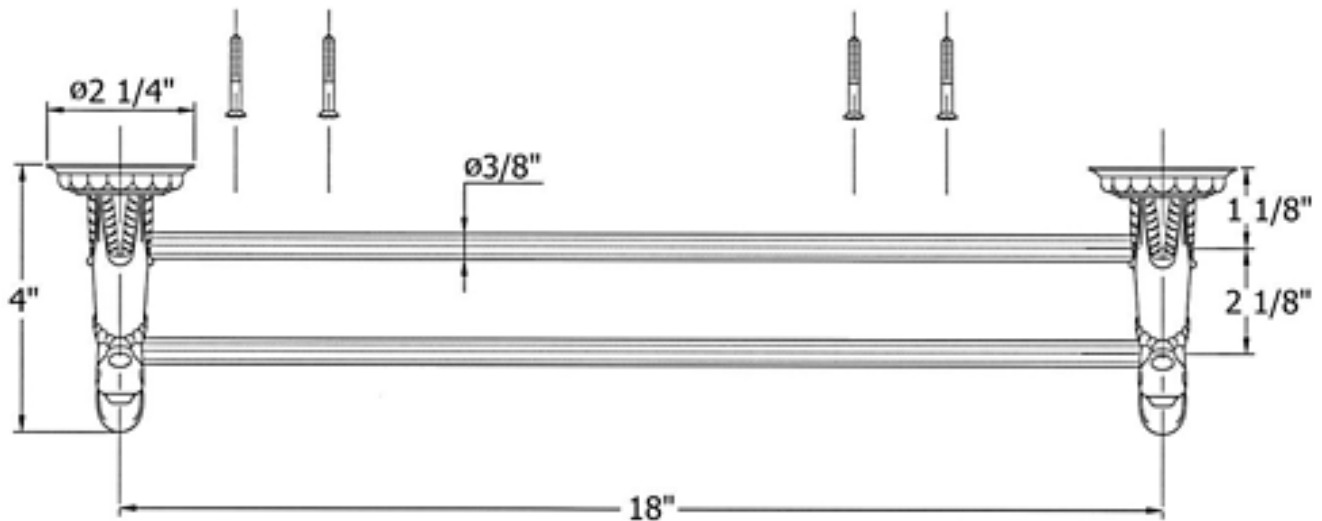


2321 – ‘Pompadour’ 18” Double Towel Bar



Technical Information

- Bar can be cut to size.
- Available finishes are French Weathered Brass (47), Polished Chrome (48), SoliBrass (49), Lacquered Matte Black Nickel (50), Old Gold (52), Old Silver (53), Polished Brass (55), Polished Nickel (56), Brushed Nickel (57), Satin Nickel (60), Antique Lacquered Copper (67), Antique Lacquered Brass (68), Weathered Brass (70), Lacquered Polished Black Nickel (71) and Lacquered Polished Copper (80).
- Please See Cleaning Instructions: <http://herbeau.com/CleaningAll.pdf> For Finish Care and Maintenance Information.

Part#

01
02
03

Description

Finished Screws
Gargoyle Double Support
18” Towel Bar Only

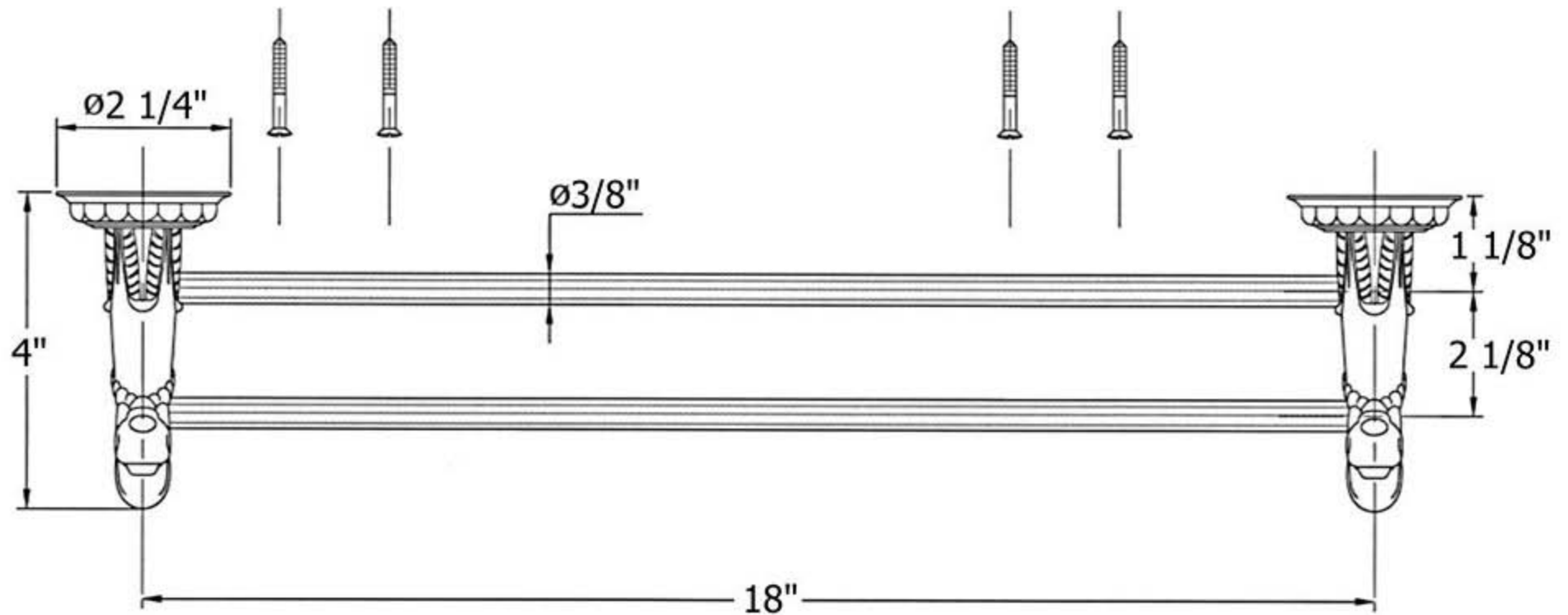
Please follow example when ordering parts for ‘Pompadour’ Towel Bar

- To order part#01 – Finished Screw
 - 950242xx
- Please substitute finish number needed in place of **XX**



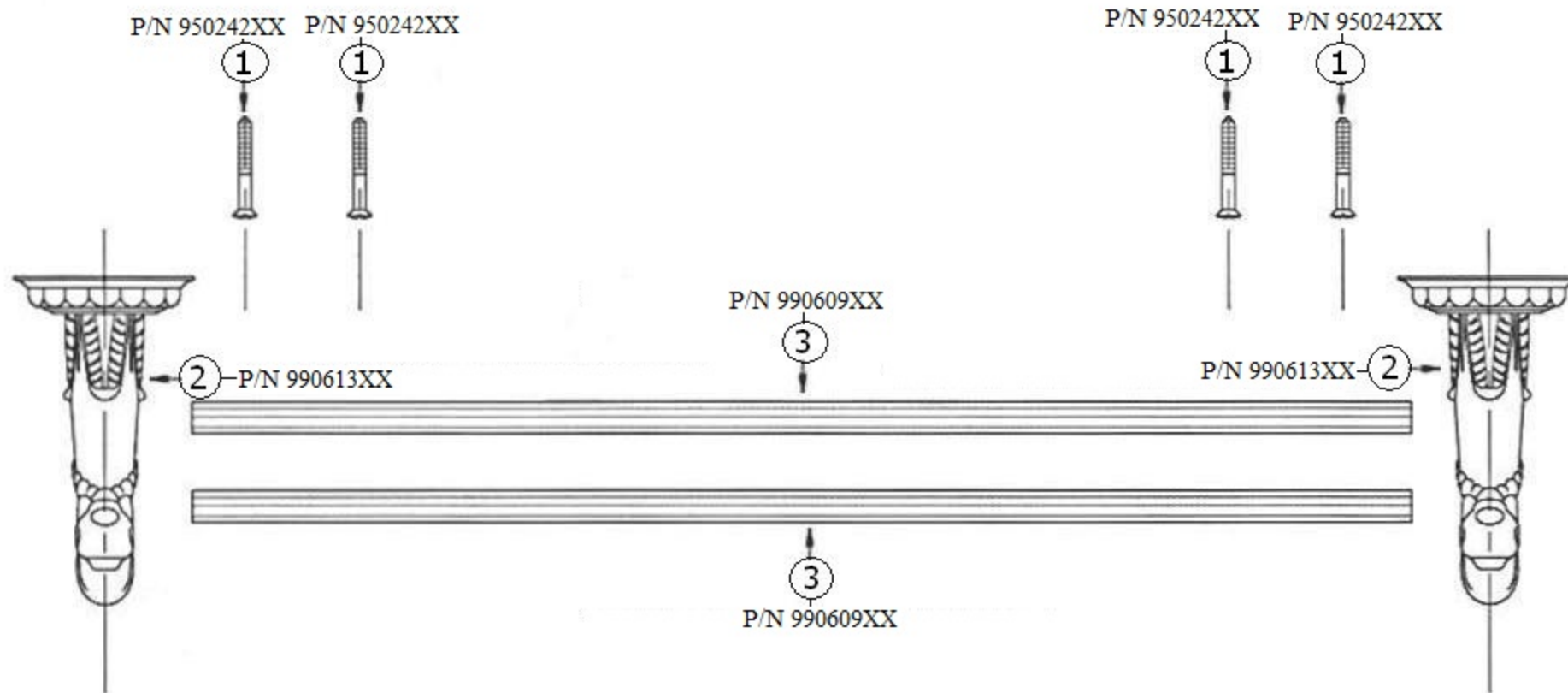
Herbeau[®]
L'Art du Sanitaire depuis 1857

2321 - 'Pompadour' 18" Double Towel Bar



2321 - 'Pompadour' 18" Double Towel Bar

*P/N = PART NUMBER



○ = FINISHED PARTS

XX = TWO DIGIT FINISH CODE