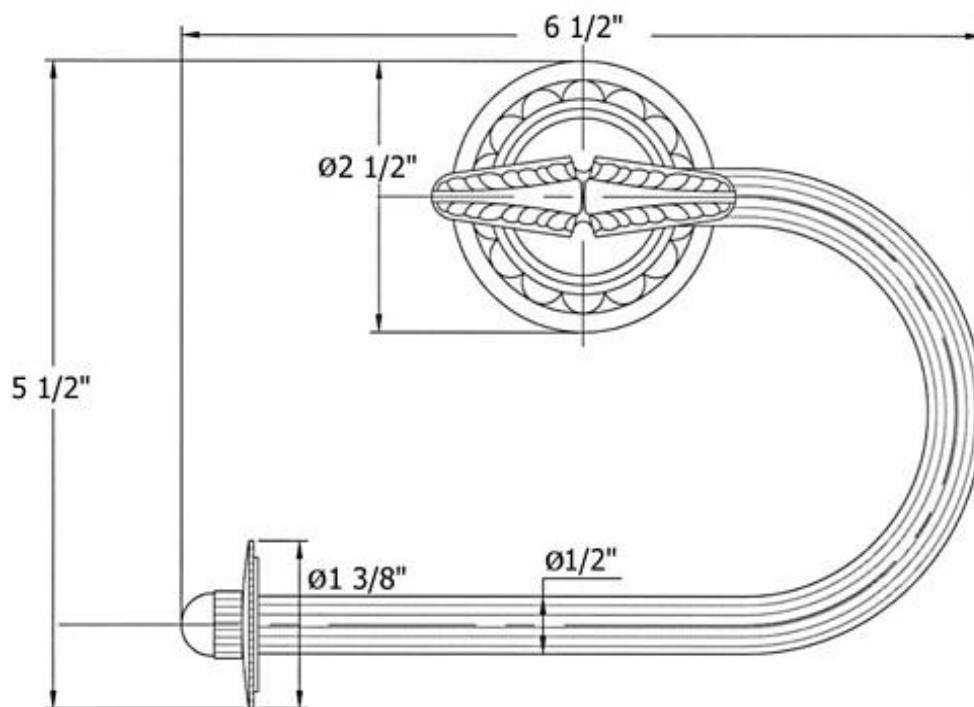


2317 – ‘Pompadour’ Toilet Tissue Holder



Technical Information

- Available finishes are French Weathered Brass (**47**), Polished Chrome (**48**), SoliBrass (**49**), Lacquered Matte Black Nickel (**50**), Old Gold (**52**), Old Silver (**53**), Polished Brass (**55**), Polished Nickel (**56**), Brushed Nickel (**57**), Satin Nickel (**60**), Antique Lacquered Copper (**67**), Antique Lacquered Brass (**68**), Weathered Brass (**70**), Lacquered Polished Black Nickel (**71**) and Lacquered Polished Copper (**80**).
- Please See Cleaning Instructions: <http://herbeau.com/CleaningAll.pdf> For Finish care and Maintenance Information.

Part#

Description

01	End Cap
*02	*Decorative Wall Escutcheon- Cannot Be Ordered Separately
03	Stem & Sleeve
05	Toilet Tissue Arm-Pompadour
06	Sleeve
07	Finished Screw

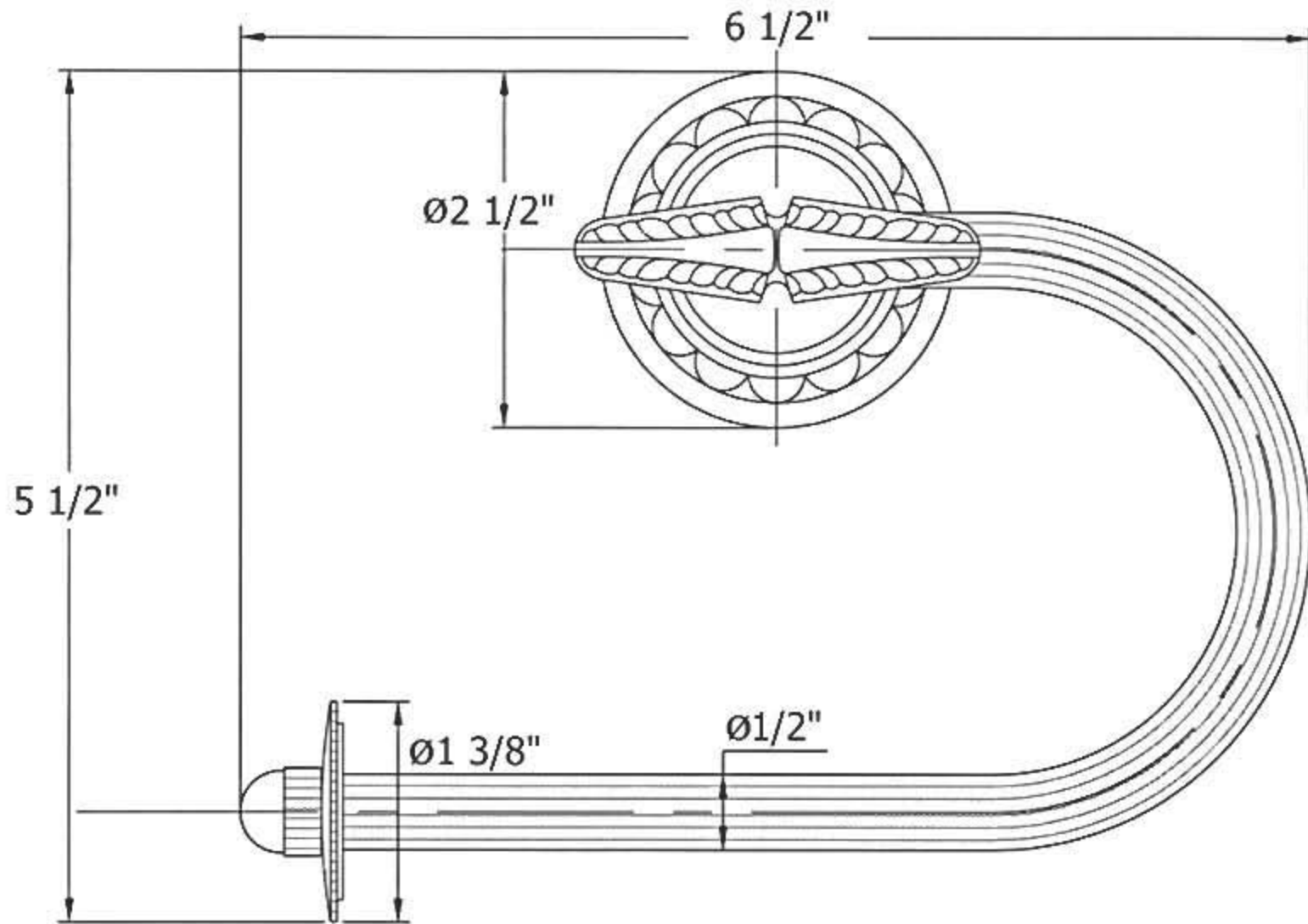
Please follow example when ordering for ‘Pompadour’ Toilet Tissue Holder

- To order part#01 – End Cap
 - 950109xx
- Please substitute finish number needed in place of xx



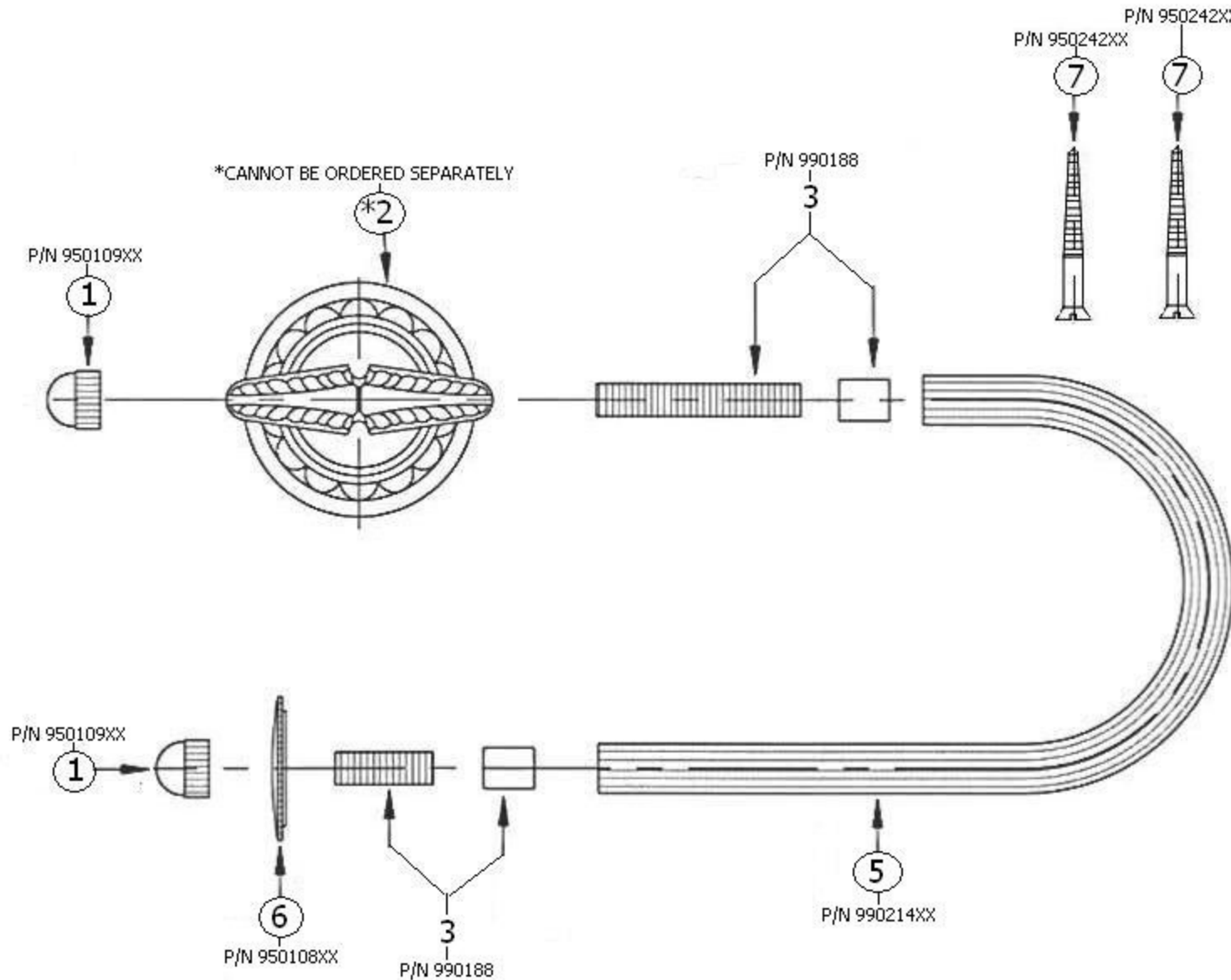
Herbeau®
L'Art du Sanitaire depuis 1857

2317 - 'Pompadour' Toilet Tissue Holder



2317 - 'Pompadour' Toilet Tissue Holder

*P/N = PART NUMBER



○ = FINISHED PARTS
XX = TWO DIGIT FINISH CODE