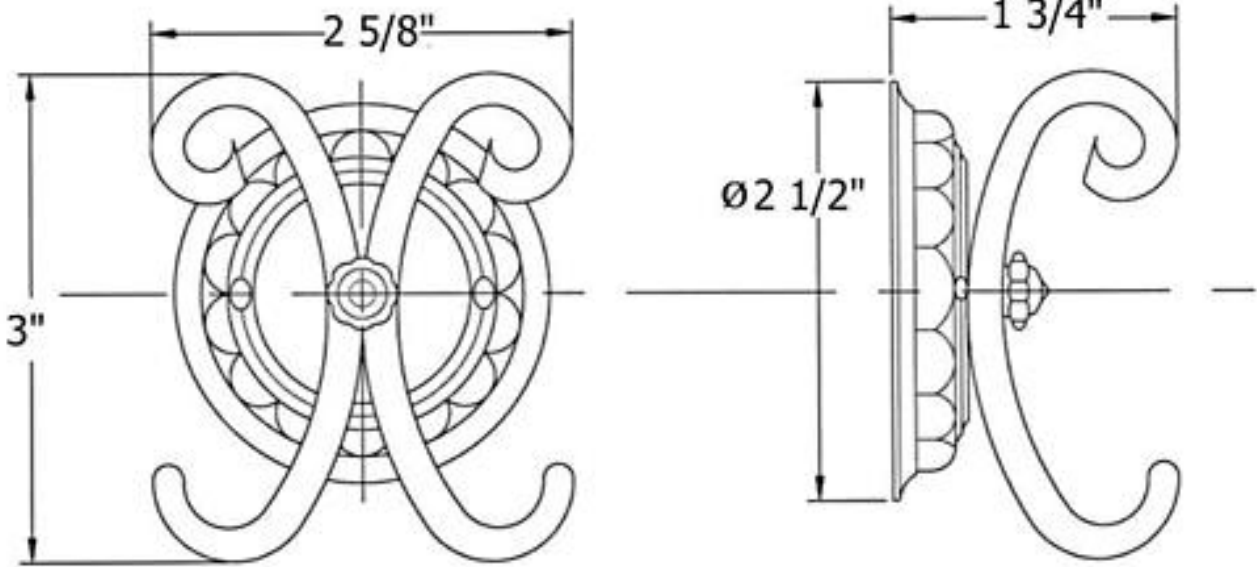


2312 – ‘Pompadour’ Double Robe Hook



Technical Information

- Available finishes are French Weathered Brass (47), Polished Chrome (48), SoliBrass (49), Lacquered Matte Black Nickel (50), Old Gold (52), Old Silver (53), Polished Brass (55), Polished Nickel (56), Brushed Nickel (57), Satin Nickel (60), Antique Lacquered Copper (67), Antique Lacquered Brass (68), Weathered Brass (70), Lacquered Polished Black Nickel (71) and Lacquered Polished Copper (80).
- Please See Cleaning Instructions: <http://herbeau.com/CleaningAll.pdf> For Finish Care and Maintenance Information.

Part#

Description

01
02
03

Nylon Washer
Pompadour Hook Assembly
Finished Screw

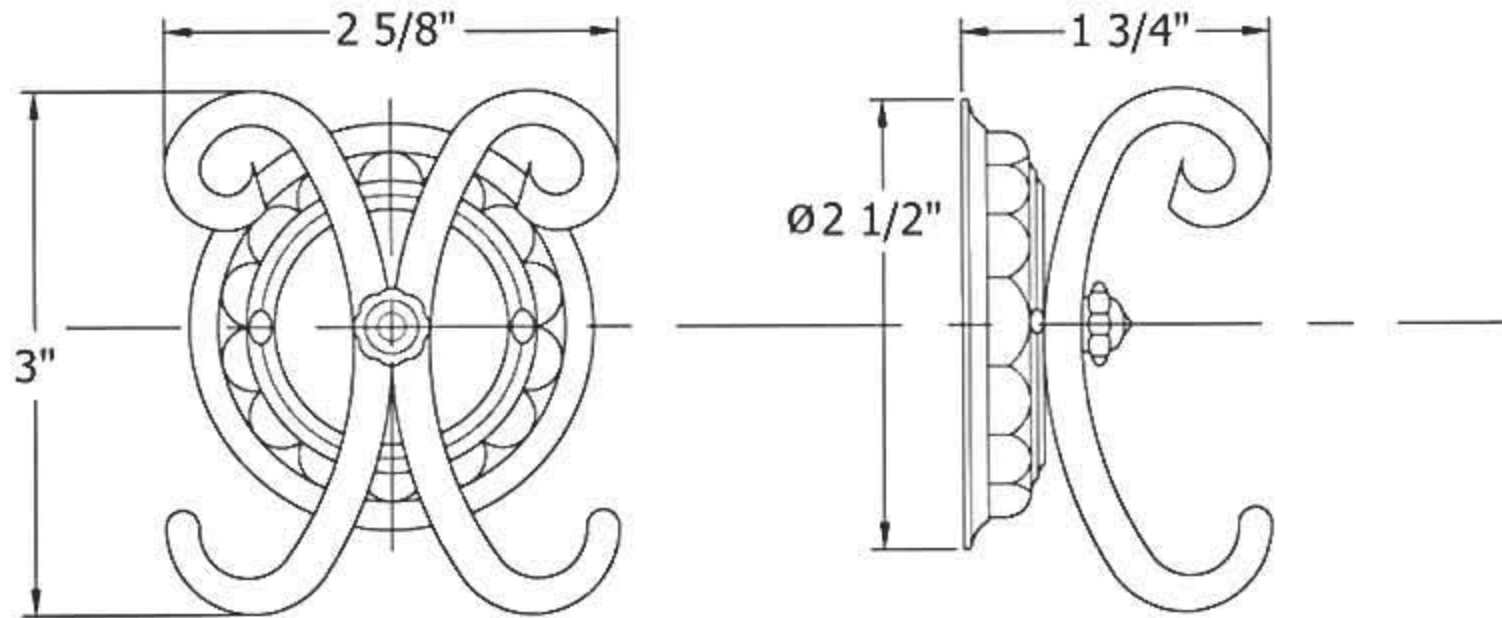
Please follow example when ordering parts for ‘Pompadour’ Robe Hook

- To order part#03 – Finished Screw
 - 950242xx
- Please substitute finish number needed in place of XX



Herbeau[®]
L'Art du Sanitaire depuis 1857

2312 - 'Pompadour' Double Robe Hook



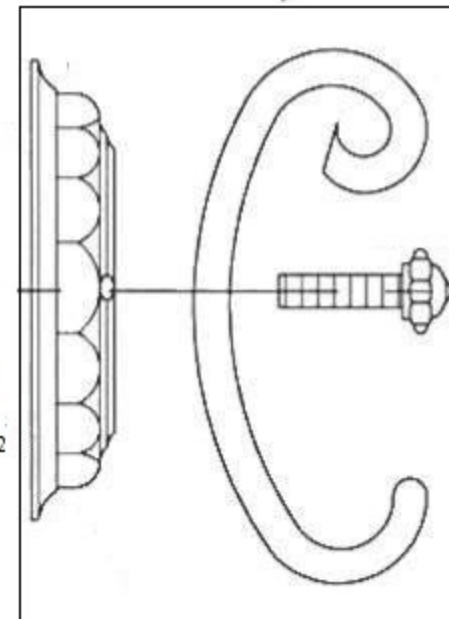
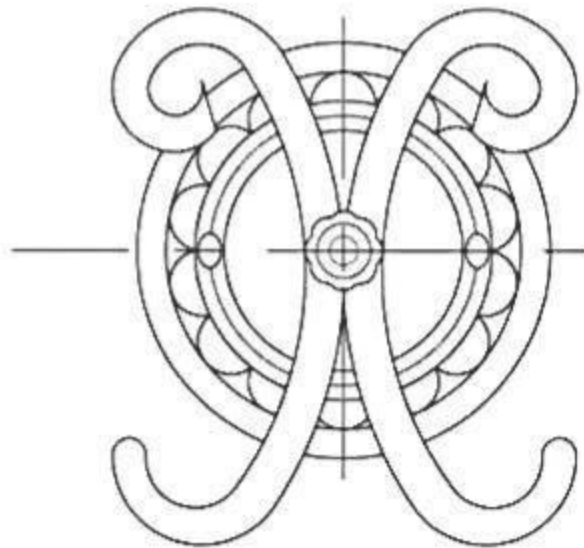
2312 - 'Pompadour' Double Robe Hook

*P/N = PART NUMBER



P/N 990606XX

(2)



 = FINISHED PARTS

XX = TWO DIGIT FINISH CODE