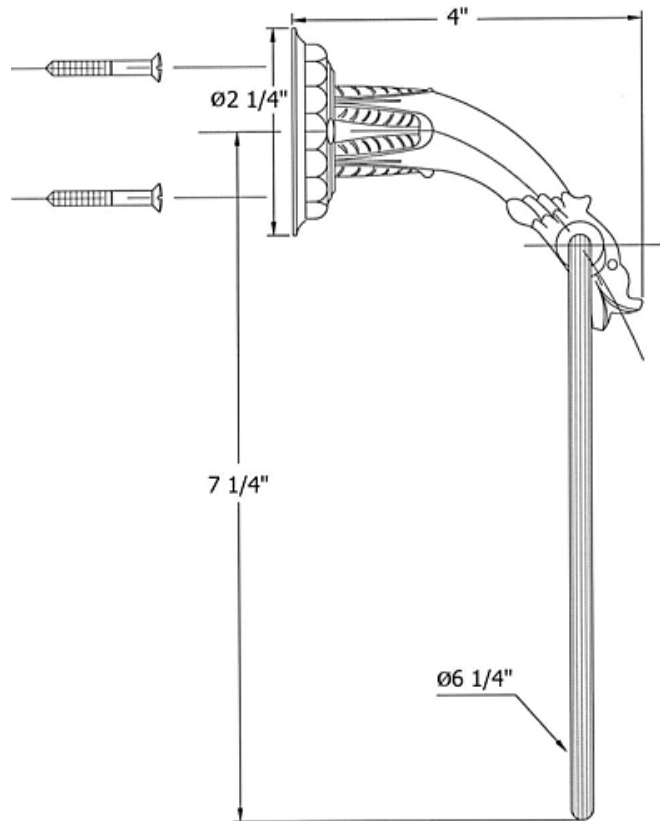


2303 – ‘Pompadour’ 6” Towel Ring



Technical Information

- Available finishes are French Weathered Brass (47), Polished Chrome (48), SoliBrass (49), Lacquered Matte Black Nickel (50), Old Gold (52), Old Silver (53), Polished Brass (55), Polished Nickel (56), Brushed Nickel (57), Satin Nickel (60), Antique Lacquered Copper (67), Antique Lacquered Brass (68), Weathered Brass (70), Lacquered Polished Black Nickel (71) and Lacquered Polished Copper (80).
- Please See Cleaning Instructions: <http://herbeau.com/CleaningAll.pdf> For Finish Care and Maintenance Information.

Part#

Description

01	Gargoyle Single Ring Support Head
02	Plastic Stem
03	Towel Ring Only
04	Finished Screw

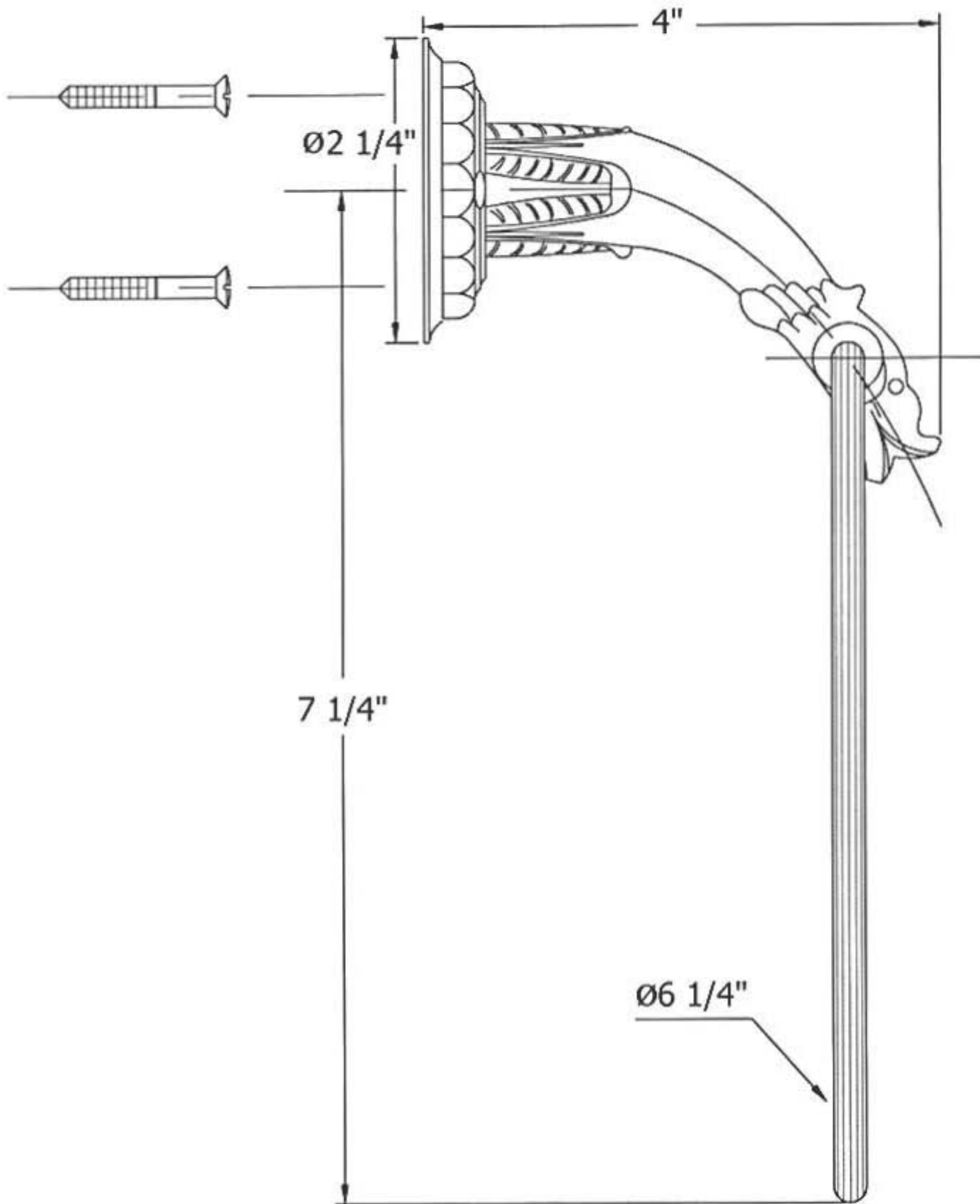
Please follow example when ordering parts for ‘Pompadour’ Towel Ring

- To order part#04– Finished Screws
 - 950242xx
- Please substitute finish number needed in place of xx



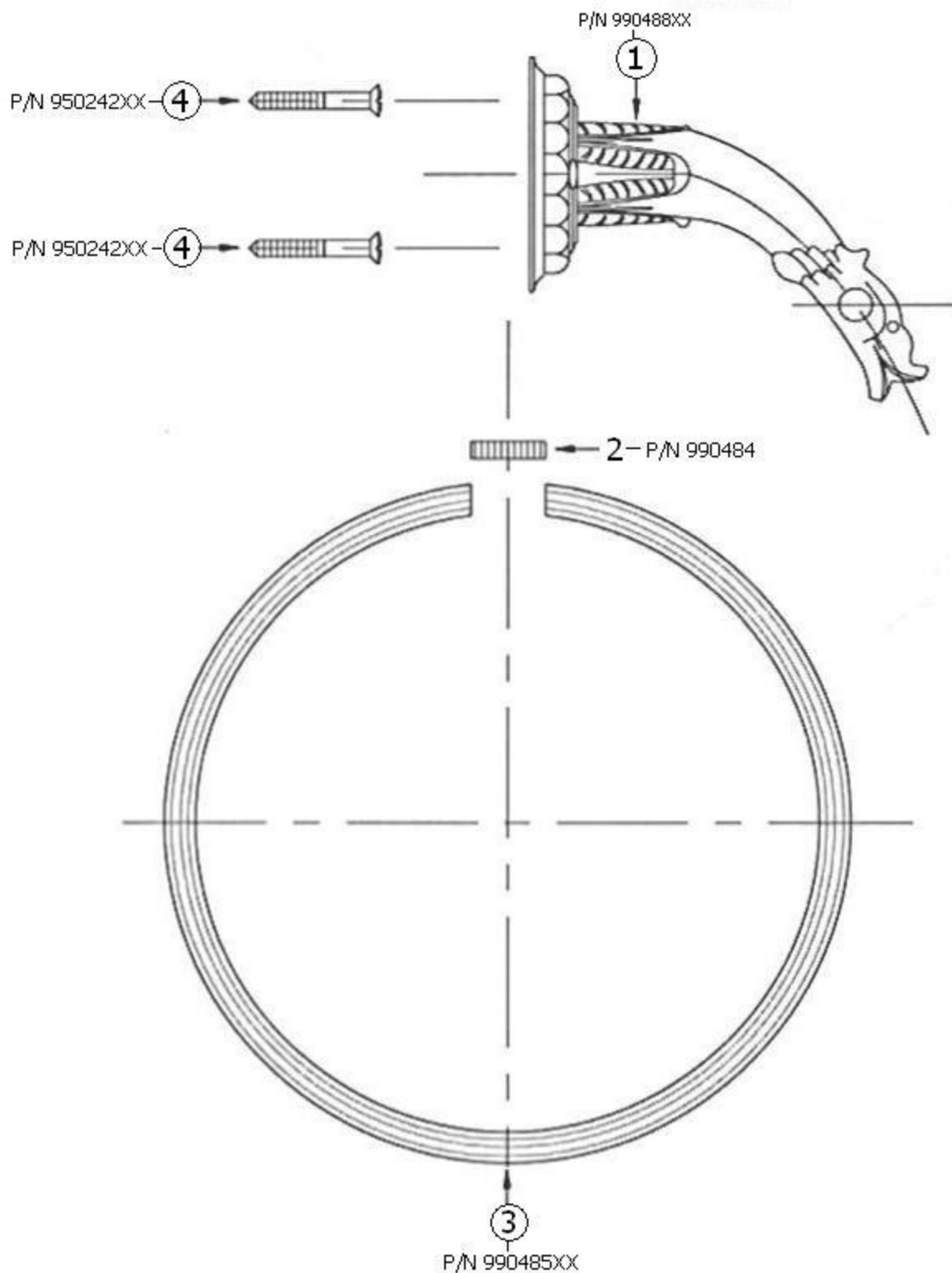
Herbeau[®]
L'Art du Sanitaire depuis 1857

2303 - 'Pompadour' 6" Towel Ring



2303 - 'Pompadour' 6" Towel Ring

*P/N = PART NUMBER



○ = FINISHED PARTS
XX = TWO DIGIT FINISH CODE