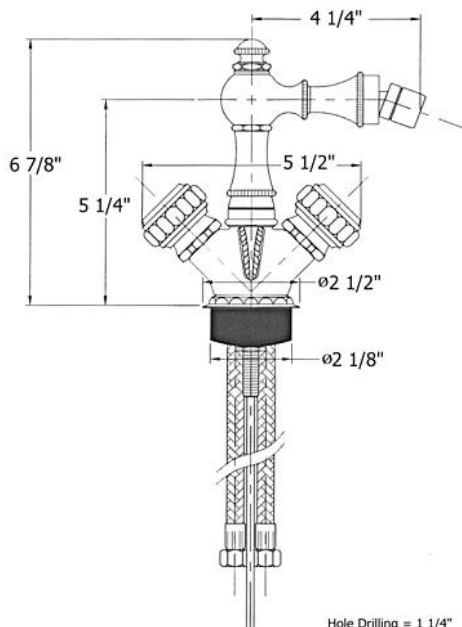


2233 – ‘Pompadour’ Single Hole Bidet Set



Technical Information

- Requires 1 1/4" hole drilling.
- Includes 1 1/4" pop-up drain.
- 1/2 turn ceramic Ecobross Flühs cartridges.
- Maximum flow rate is 1.2 GPM with new low flow restrictor.
- Available finishes are French Weathered Brass (47), Polished Chrome (48), SoliBrass (49), Lacquered Matte Black Nickel (50), Old Gold (52), Old Silver (53), Polished Brass (55), Polished Nickel (56), Brushed Nickel (57), Satin Nickel (60), Antique Lacquered Copper (67), Antique Lacquered Brass (68), Weathered Brass (70), Lacquered Polished Black Nickel (71) and Lacquered Polished Copper (80).
- Please See Cleaning Instructions: <http://herbeau.com/CleaningAll.pdf> For Finish Care and Maintenance Information

Please follow example when ordering parts for ‘Pompadour’ Bidet

- To order part#03 – Spout

○ 990121xx

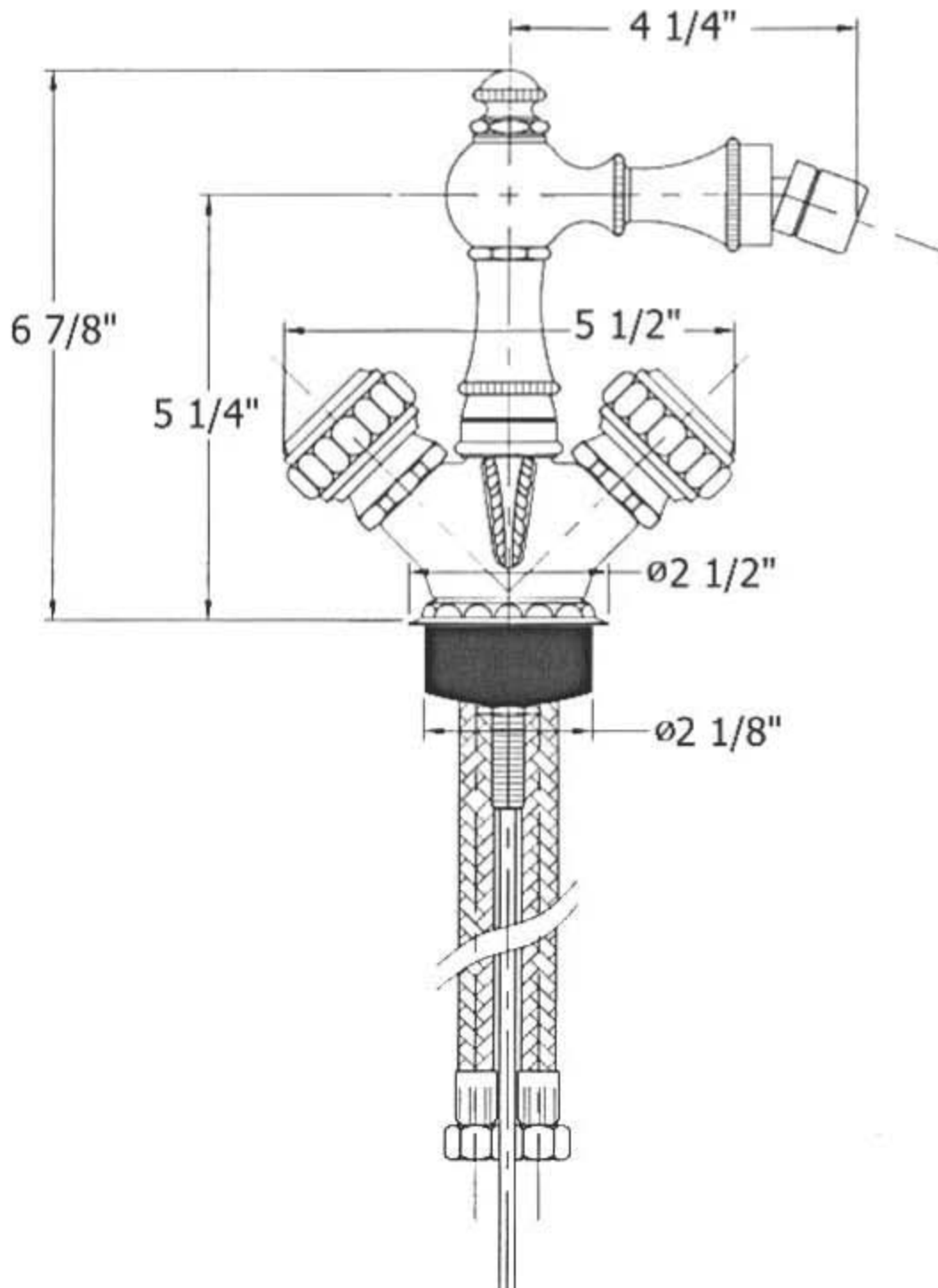
- Please substitute finish number needed in place of XX

| Part # | Description |
|--------|---|
| 01 | Top Knob |
| 02 | Finished Washer |
| 03 | Bidet Spout |
| 04 | Spout Swivel Assembly |
| 05 | Sealing Screw |
| 06 | Aerator Washer |
| 07 | Aerator Filter |
| 08 | Aerator Cover |
| 09 | Spout O-Ring |
| 10 | Body - Ecobross |
| 11 | Swan Nut 3/4" – 1/2" |
| 12 | Base - Ecobross |
| 13 | Threaded Mounting Rod |
| 14 | Deck Escutcheon |
| 15 | Flat Rubber Washer |
| 16 | Brass Horse Shoe |
| 17 | Brass Hex Nut |
| 18 | Pompadour Handle |
| 19 | Brass Screw |
| 20 | Nylon Separator |
| 21 | Handle Escutcheon |
| 22 | Rubber Washer |
| 23 | 1/2" Washer |
| 24 | Rubber O-Ring |
| 25 | 12" x 3/8" Flexible Supply Hose & O-Ring |
| 26 | Pop-Up Finial |
| 27 | Pop-Up Rod Only |
| 28 | Horizontal Pop-Up Rod |
| 29 | Pop-Up Assembly Only |
| 30 | Rubber O-Ring |
| 31 | Washer |
| 32 | Pop-Up Rod W/Finial |
| 34 | Connectors For Pop-Up |
| 85 | 1/2 Turn Ceramic Cartridge |



Herbeau[®]
L'Art du Sanitaire depuis 1857

2233 - 'Pompadour' Single Hole Bidet Set



Hole Drilling = $1 \frac{1}{4}$ "

2233 - 'Pompadour' Single Hole Bidet Set

*P/N = PART NUMBER

