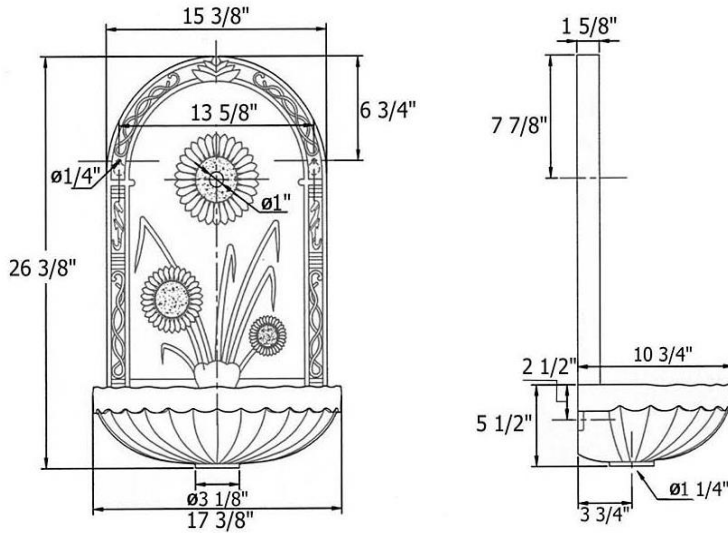


# 6105 – ‘Tournesol’ Garden Fountain



Part #

Description

01

Finished Screw

## Technical Information

- Size: 26 3/8" H x 17 3/8" W x 10 3/4" D.
- To pass UPC code, please use "2120", "2121", "2122" and install p-trap into the wall or use the "2124" & "3013" or "3014".
- Available in White (20) or Hand Paint (24).
- Please See Cleaning Instructions:  
<http://herbeau.com/CleaningAll.pdf> For Finish Care and Maintenance Information.

Please follow example when ordering parts for 'Tournesol' Fountain

- To order part# 01 – Finished Screw
  - 920024xx
- Please substitute finish number needed in place of xx



**Herbeau**<sup>®</sup>  
 L'Art du Sanitaire depuis 1857

# 6105 - 'Tournesol' Garden Fountain

