


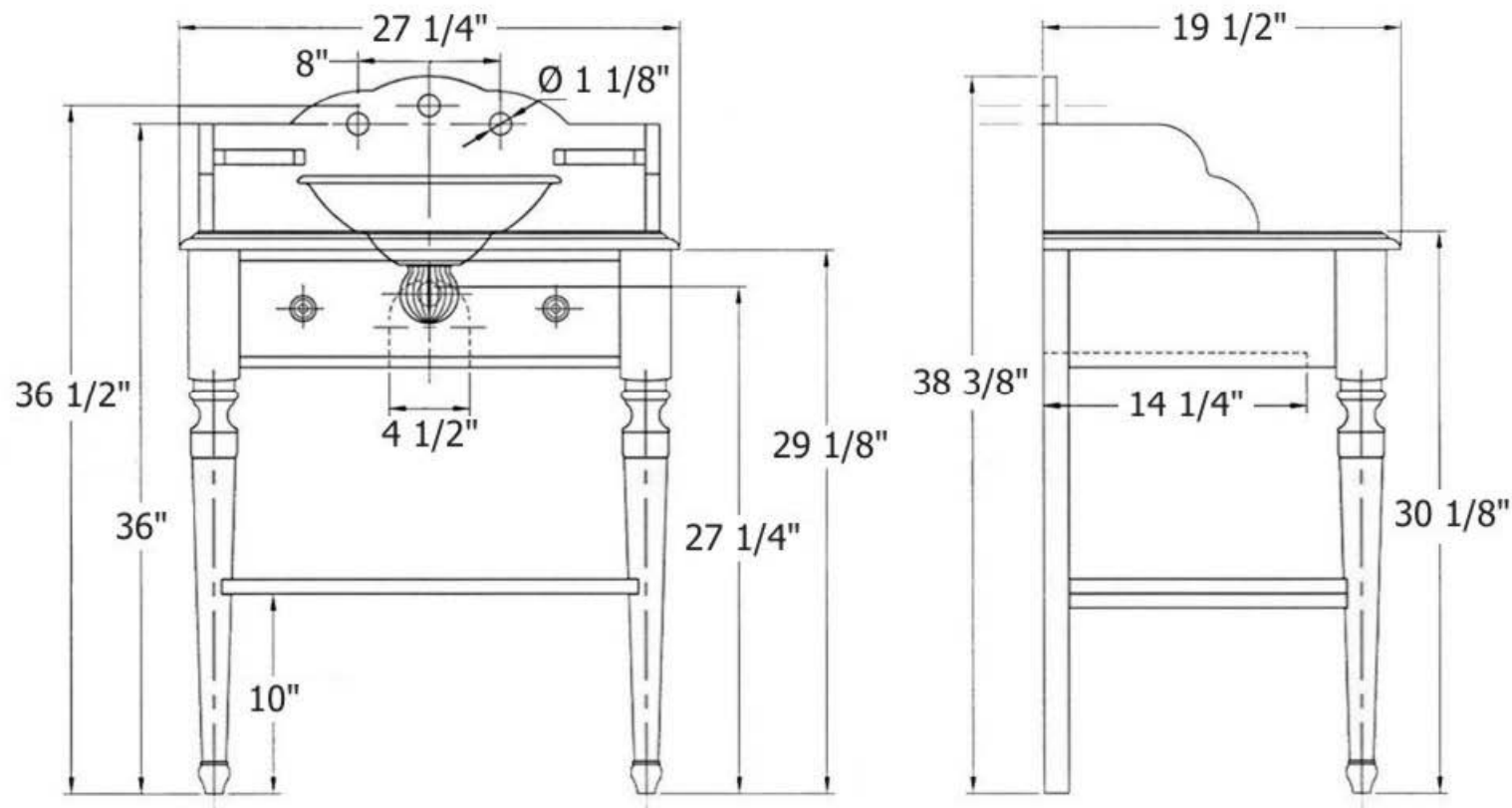
# 5831 – ‘Bonne Maman’ Fireclay Countertop

	Part #	Description
<p style="text-align: center;"><u>Technical Information</u></p> <ul style="list-style-type: none"> <li>• Shown with <b>5830</b> ‘Bonne Maman’ Cabinet.</li> <li>• For vessel bowl, order <b>0409</b> or <b>0411</b> Vessel Bowl.</li> <li>• Can use <b>2120</b>, <b>2121</b> and <b>2122</b> drain assembly or <b>2124</b>, <b>3013</b> or <b>3014</b> drain assemblies depending on application.</li> <li>• Please specify 1 or 3-hole. 3-hole is standard.</li> <li>• Available in White (<b>20</b>) only.</li> <li>• Please See Cleaning Instructions: <a href="http://herbeau.com/FireclayCleaning.pdf">http://herbeau.com/FireclayCleaning.pdf</a> For Finish Care and Maintenance Information.</li> </ul>		
	 <b>Herbeau</b> ® <small>L'Art du Sanitaire depuis 1857</small>	

# 5831 & 5830 - 'Bonne Maman' Fireclay Countertop & Bathroom Cabinet

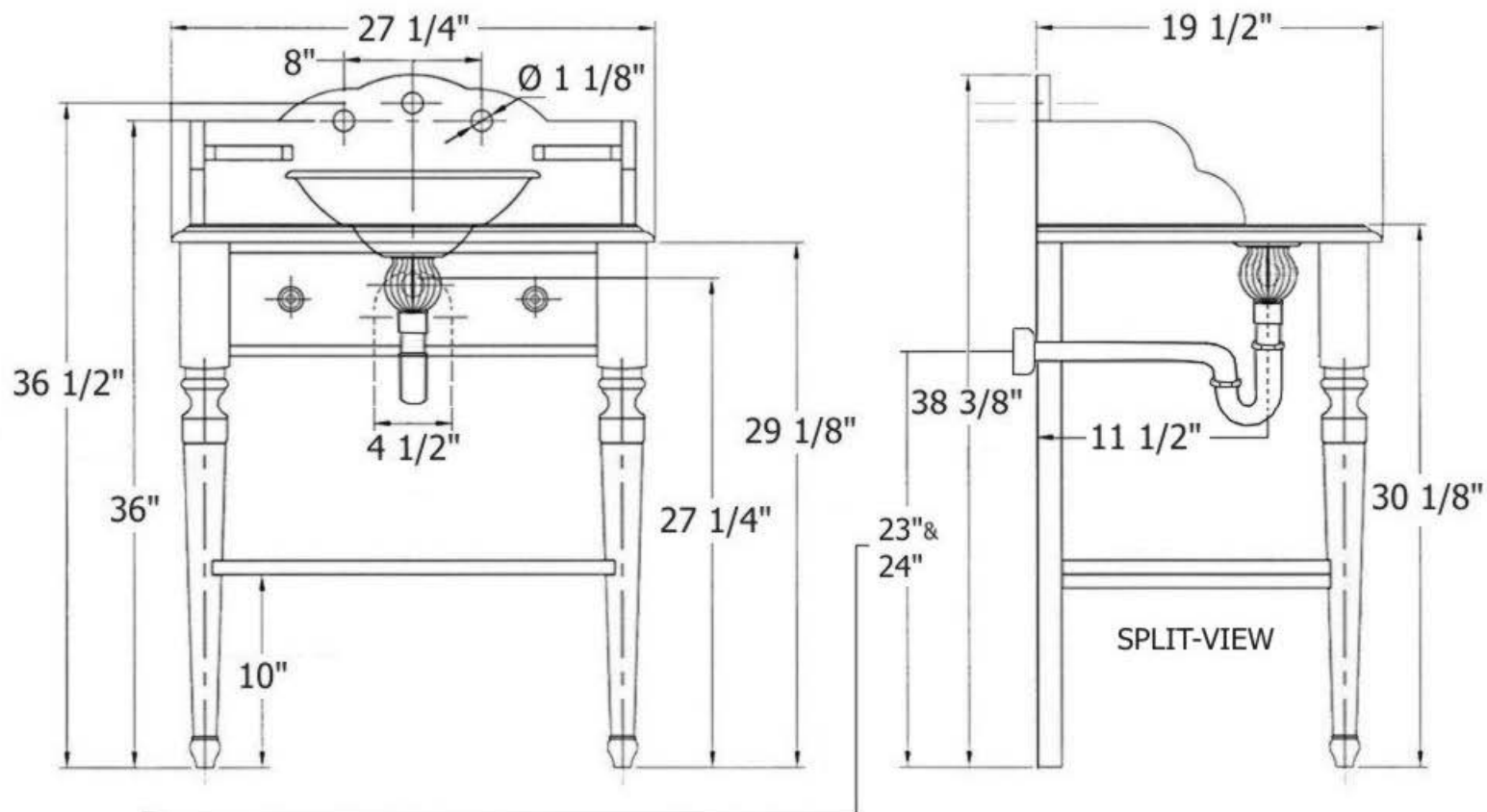
PAGE 1 OF 2

PLEASE SPECIFY 1- OR 3 HOLE DRILLING. TO BE USED WITH 0409 OR 0411 VESSEL BOWL.



ALL DRAIN MEASUREMENTS ARE USING THE 2120, 2121 & 2122 DRAIN ASSEMBLY

PLEASE SPECIFY 1- OR 3 HOLE DRILLING. TO BE USED WITH 0409 OR 0411 VESSEL BOWL.



- \* ALL DRAIN MEASUREMENTS ARE USING THE 2124, 3013 or 3014 DRAIN ASSEMBLY
- \*\* STUB OUT MEASUREMENT FOR DRAIN IS 23" USING THE 2124 UNCUT
- \*\* STUB OUT MEASUREMENT FOR DRAIN IS 24" USING THE 2124 CUT 1"