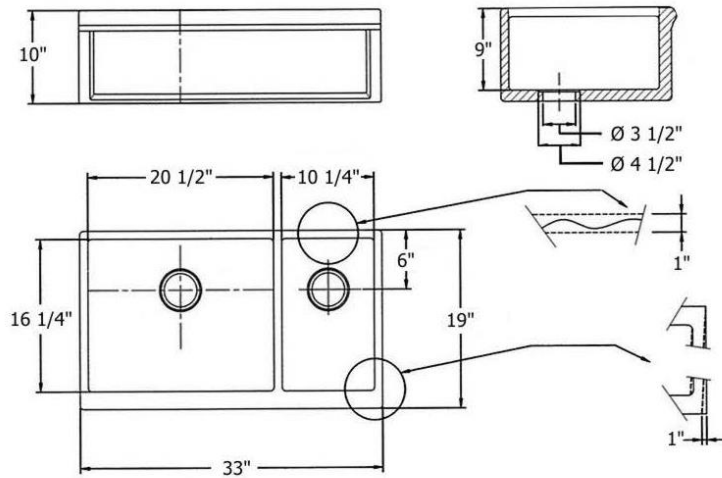


4613 – Fireclay Double Farmhouse Sink



Part #

Description

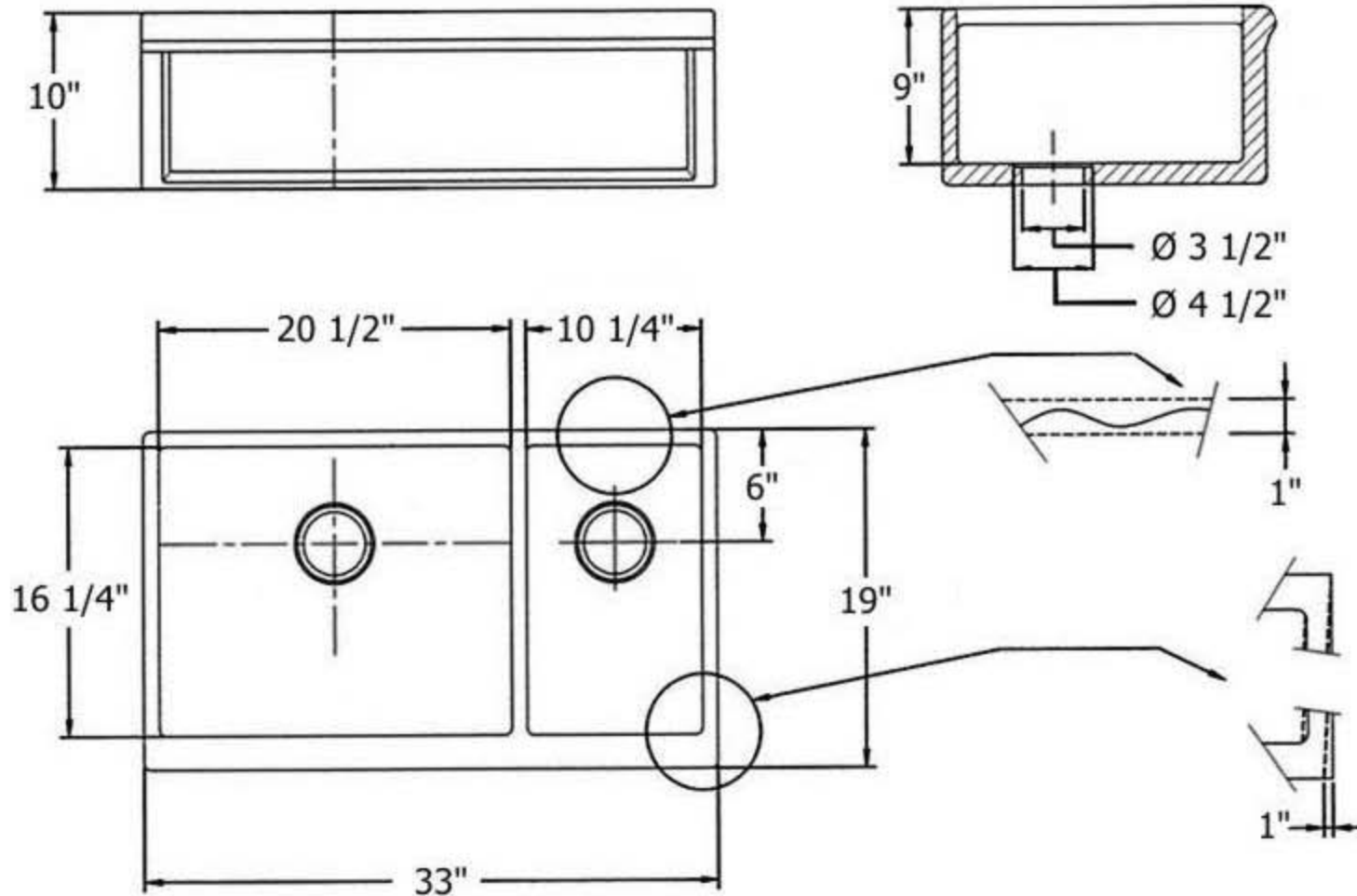
Technical Information

- Please order **(2)** 3 ½” Basket Strainers **(4511)** or if garbage disposal is used, order **(1)** 3 ½” Basket Strainer **(4511)**, **(1)** Flange **(4513)** and **(1)** Stopper **(4514)**.
- Sides of sink are mostly unglazed but are glazed approximately 1 ½” in so sink can be partially bumped out.
- All hand paint patterns are available on White and French Ivory backgrounds.
- Available in Moustier Polychrome **(01)**, Moustier Bleu **(02)**, Moustier Rose **(03)**, Vieux Rouen **(04)**, Sceau Rose **(05)**, Sceau Bleu **(06)**, Berain Rose **(07)**, Berain Vert **(08)**, Berain Bleu **(09)**, Romantique **(10)**, Rouen Marly **(11)**, White **(20)**, Avesnes **(21)** and French Ivory **(30)**.
- Please See Cleaning Instructions:
<http://herbeau.com/FireclayCleaning.pdf> For Finish Care and Maintenance Information.



Herbeau®
 L'Art du Sanitaire depuis 1857

4613 - Fireclay Double Farmhouse Sink



Note: Due to the nature of Fireclay, variations of up to 1/4" in size can occur. Cabinets and/or countertops should be cut to actual sink measurements after sink is on site.