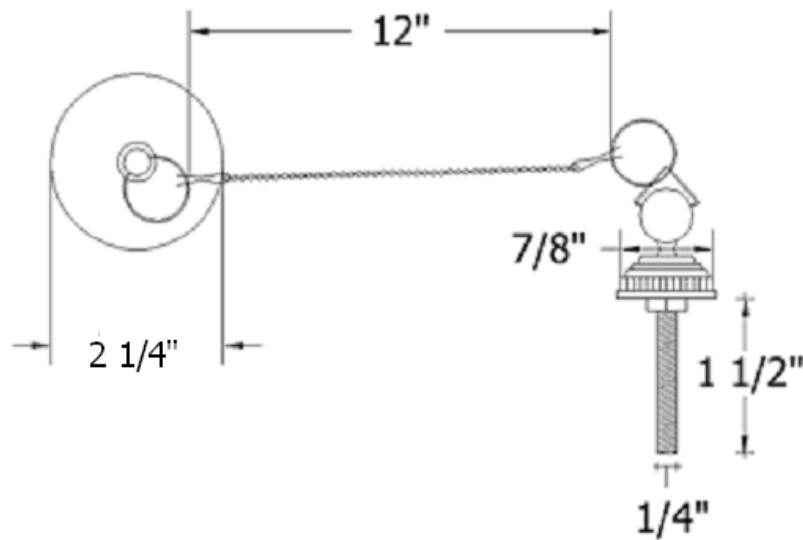


# 4525 – Plug & Chain



## Technical Information

- Fits 4521 and 4070.
- Available finishes are French Weathered Brass (**47**), Polished Chrome (**48**), SoliBrass (**49**), Lacquered Matte Black Nickel (**50**), Old Gold (**52**), Old Silver (**53**), Polished Brass (**55**), Polished Nickel (**56**), Brushed Nickel (**57**), Satin Nickel (**60**), Antique Lacquered Copper (**67**), Antique Lacquered Brass (**68**), Weathered Brass (**70**), Lacquered Polished Black Nickel (**71**) and Lacquered Polished Copper (**80**).
- Please See Cleaning Instructions: <http://herbeau.com/CleaningAll.pdf> For Finish Care and Maintenance Information.

## Part#

01  
03

## Description

\*Chain & Stopper  
Mounting Bracket

\*NO PART NUMBER  
AVAILABLE\*

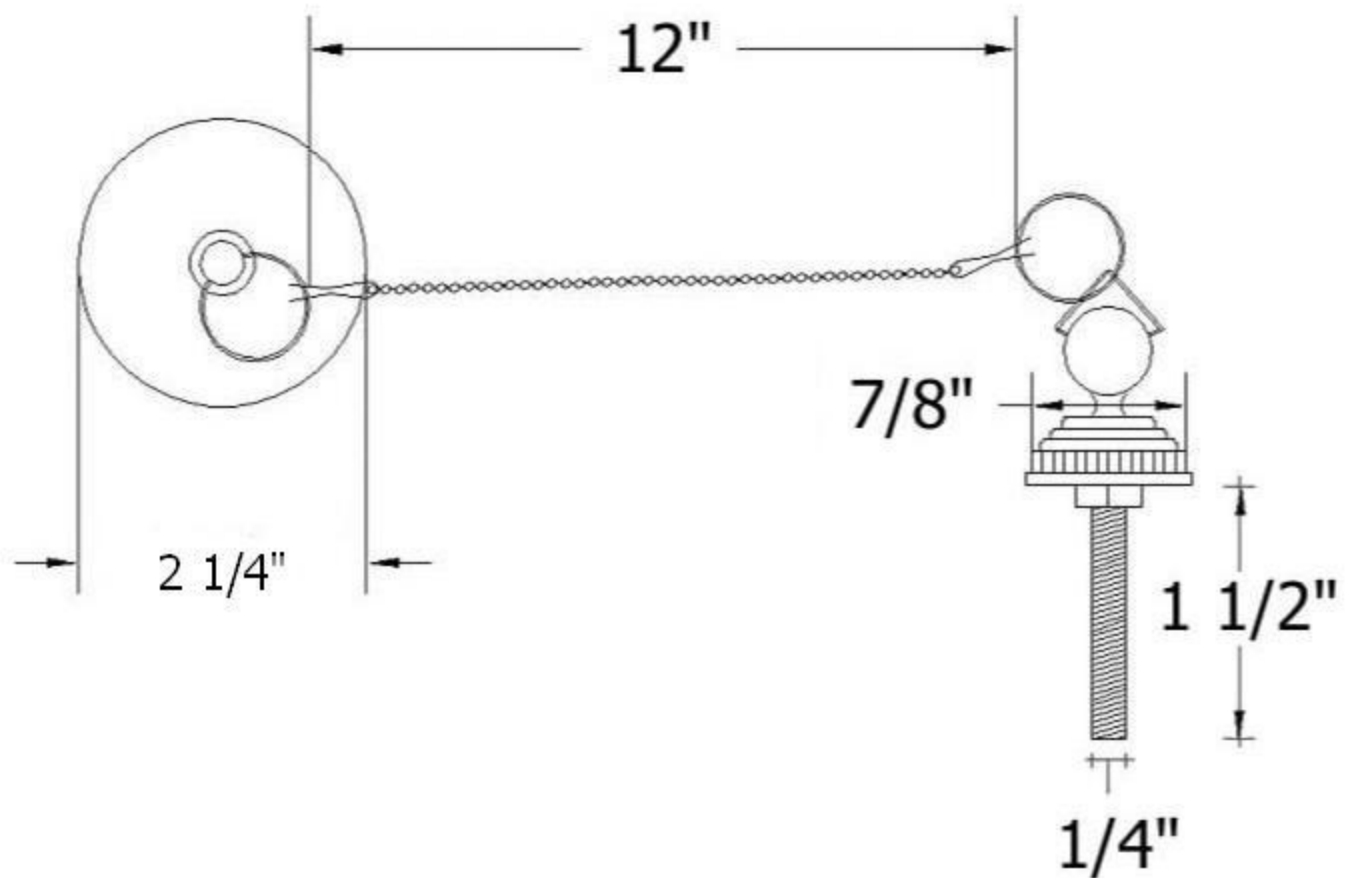
Please follow example when ordering parts for Plug & Chain

- To order part#03 – Mounting Bracket
  - 950094xx
- Please substitute finish number needed in place of xx



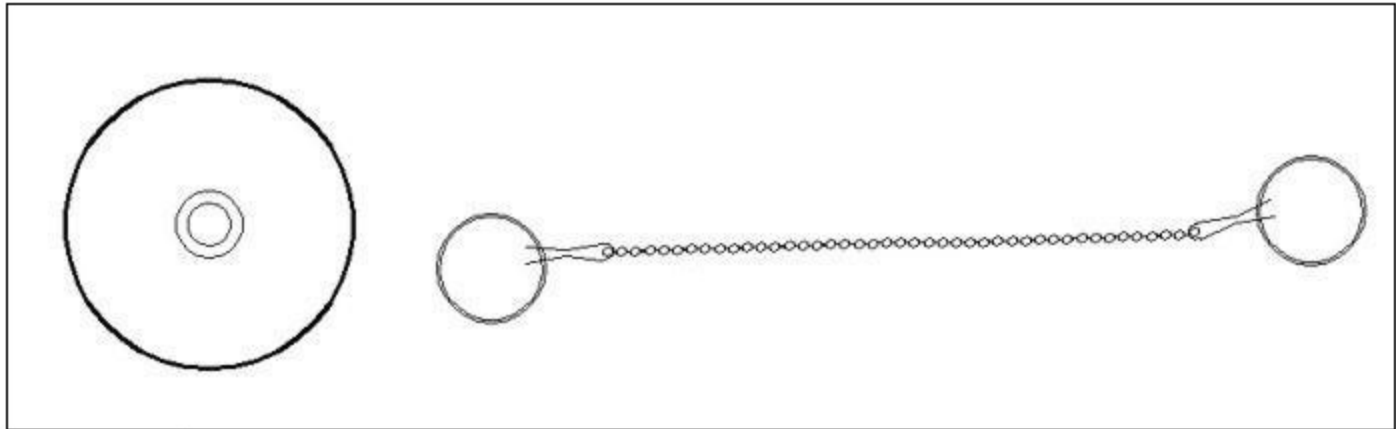
**Herbeau**<sup>®</sup>  
L'Art du Sanitaire depuis 1857

# 4525 - Plug and Chain

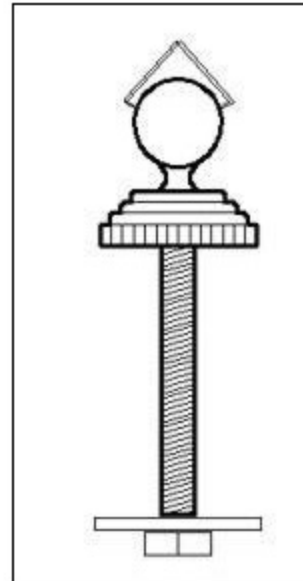


# 4525 - Plug and Chain

\*P/N = PART NUMBER



\* ①



③  
P/N 950094XX

○ = FINISHED PARTS

XX = TWO DIGIT FINISH CODE