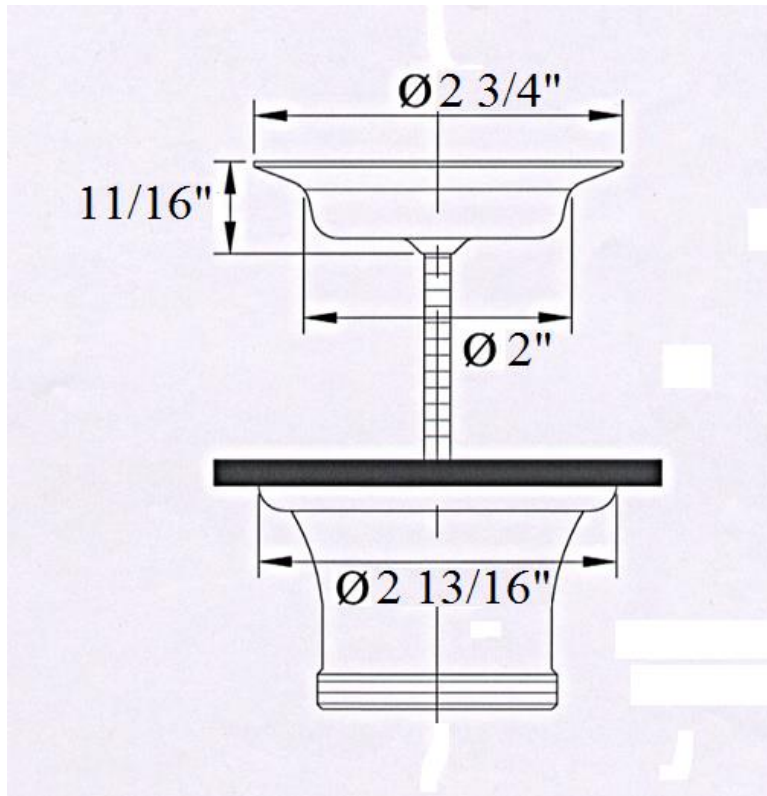


# 4521 - Grid Strainer 1 1/2"



## Technical Information

- 1 1/2" outlet.
- Available finishes are French Weathered Brass (47), Polished Chrome (48), SoliBrass (49), Lacquered Matte Black Nickel (50), Polished Brass (55), Polished Nickel (56), Brushed Nickel (57), Satin Nickel (60), Antique Lacquered Copper (67), Antique Lacquered Brass (68), Weathered Brass (70), Lacquered Polished Black Nickel (71) and Lacquered Polished Copper (80).
- Please See Cleaning Instructions: <http://herbeau.com/CleaningAll.pdf> For Finish Care and Maintenance Information.

## Part#

01  
02  
03  
04

## Description

Finished Screw  
Finished Grid Strainer  
Rubber Gasket  
Brass Tailpiece

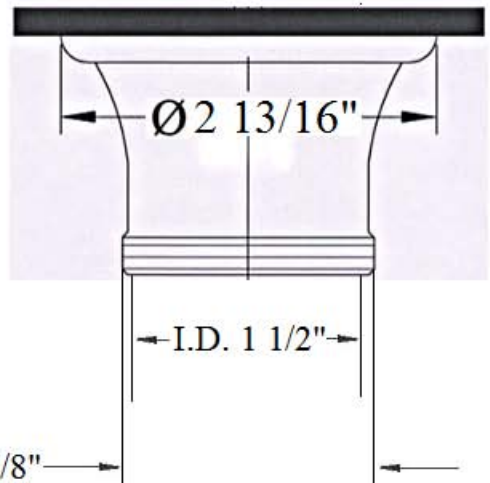
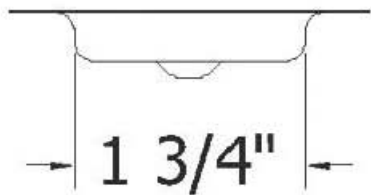
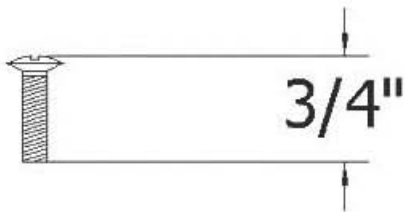
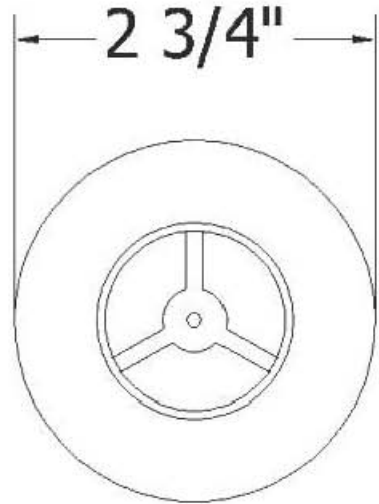
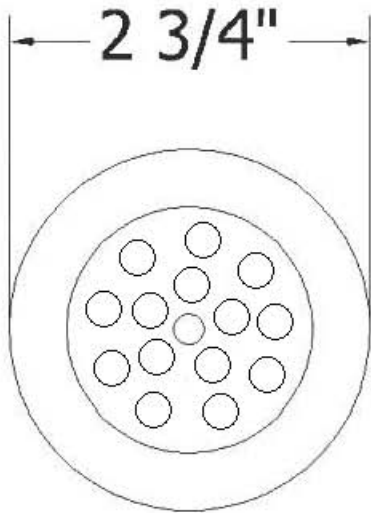
Please follow example when ordering parts for Grid Strainer 1 1/2"

- To order part# 01 – Finished Screw
  - 990022xx
- Please substitute finish number needed in place of xx



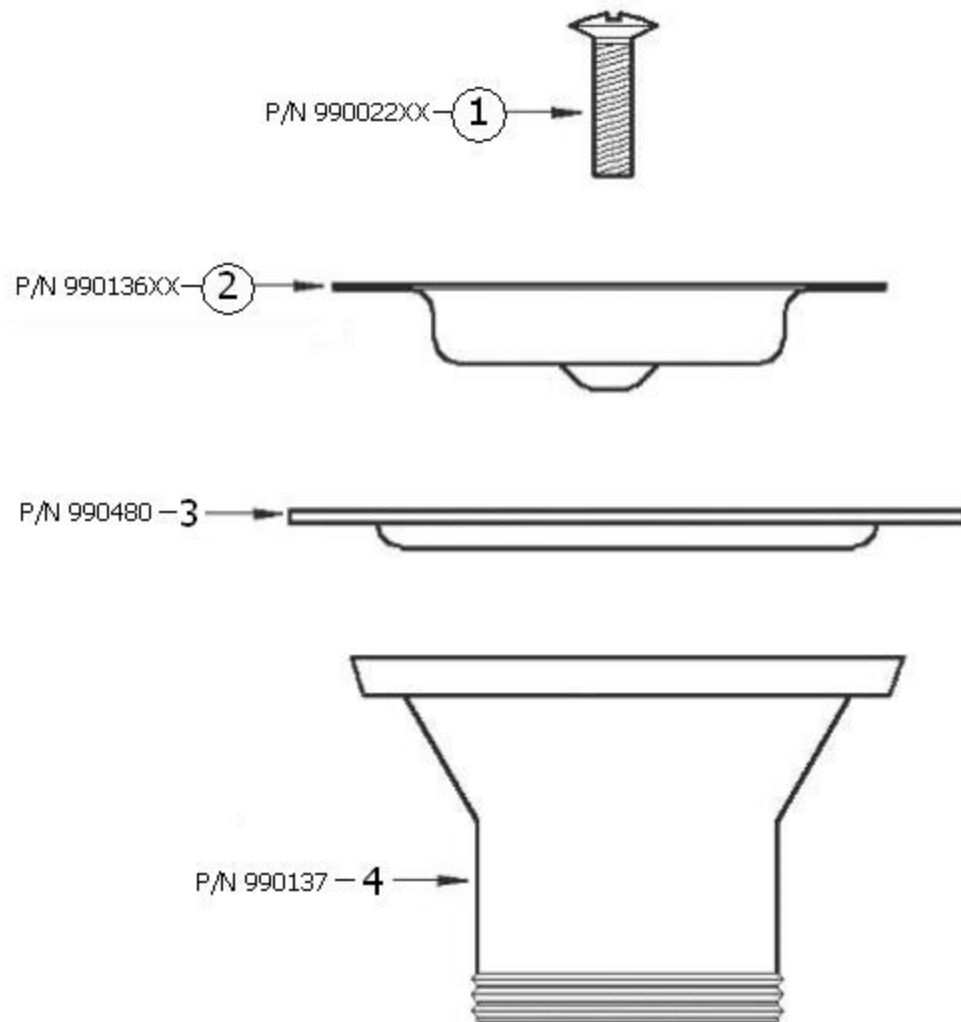
**Herbeau**<sup>®</sup>  
L'Art du Sanitaire depuis 1857

# 4521 - Grid Strainer 1 1/2"



# 4521 - Grid Strainer 1 1/2"

\*P/N = PART NUMBER



○ = FINISHED PARTS

XX = TWO DIGIT FINISH CODE