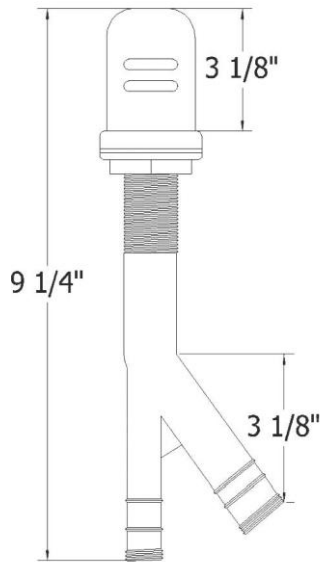


4519 – Air Gap Kit



Part

Description

01

*Finished Cap

02

*Cap Base

03

*Gasket

04

*Nut

05

*Breather

*NOT AVAILABLE
AS SEPARATE
PARTS*

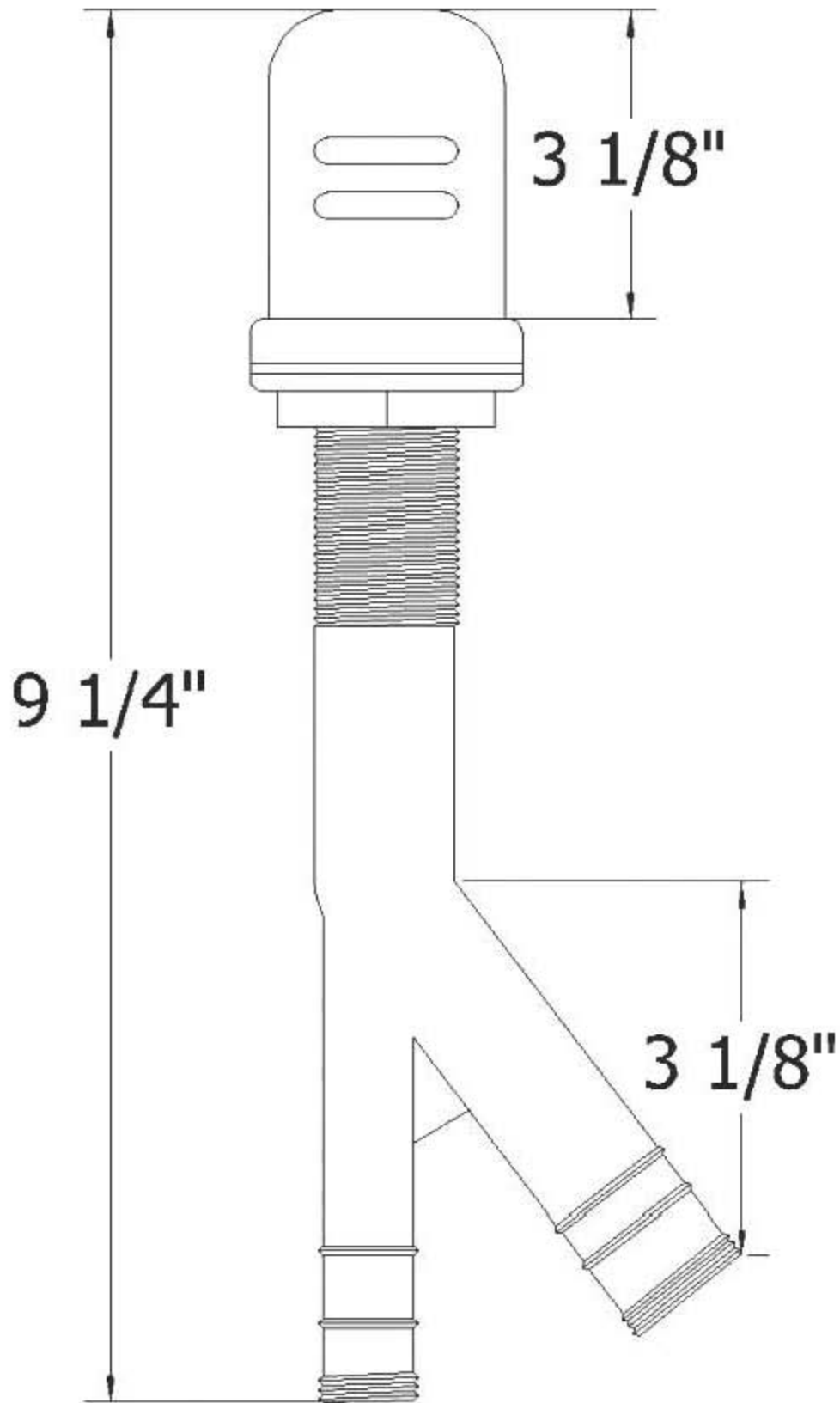
Technical Information

- IAPMO UPC listed.
- Available finishes are French Weathered Copper (46), French Weathered Brass (47), Polished Chrome (48), SoliBrass (49), Lacquered Matte Black Nickel (50), Polished Brass (55), Polished Nickel (56), Brushed Nickel (57), Polished Copper (58), Weathered Copper (59), Satin Nickel (60), Antique Lacquered Copper (67), Antique Lacquered Brass (68), Weathered Brass (70), Lacquered Polished Black Nickel (71) and Lacquered Polished Copper (80).
- Please See Cleaning Instructions: <http://herbeau.com/CleaningAll.pdf> For Finish Care and Maintenance Information.

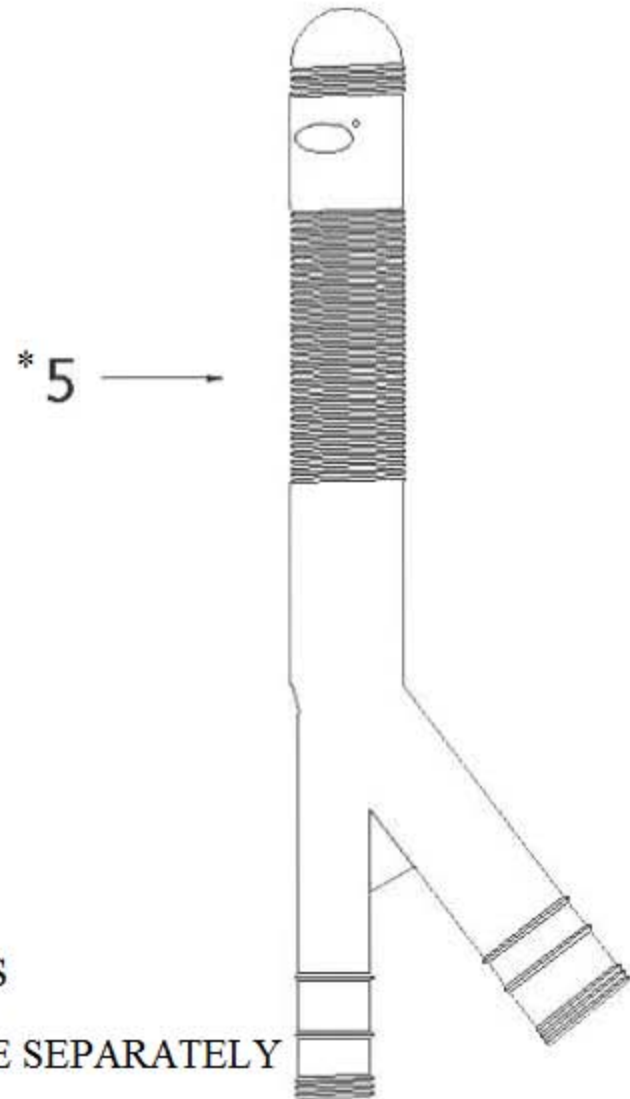
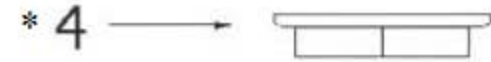
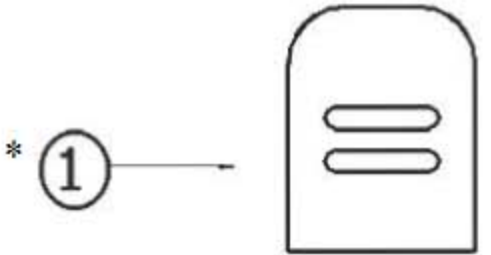


Herbeau®
L'Art du Sanitaire depuis 1857

4519 - Air Gap Kit



4519 - Air Gap Kit



○ = FINISHED PARTS

* = NOT AVAILABLE SEPARATELY