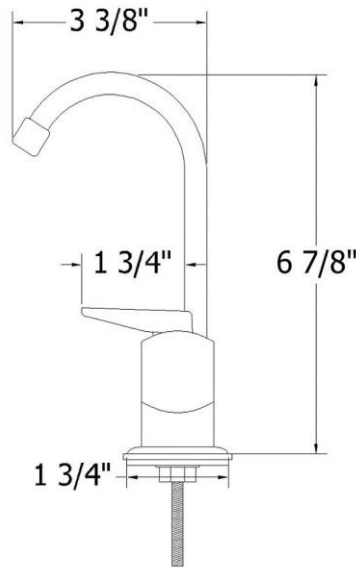


4518 – Water Dispenser Tap



Technical Information

- Spout swivels 360 degrees.
- Cold water only. Connects to water filter. 4518 is **not** reverse osmosis ready.
- 1/4" compression nut connection.
- Requires 1/2" diameter minimum, 7/8" maximum hole drilling.
- Available finishes are French Weathered Copper (**46**), French Weathered Brass (**47**), Polished Chrome (**48**), SoliBrass (**49**), Lacquered Matte Black Nickel (**50**), Polished Brass (**55**), Polished Nickel (**56**), Brushed Nickel (**57**), Polished Copper (**58**), Weathered Copper (**59**), Satin Nickel (**60**), Antique Lacquered Copper (**67**), Antique Lacquered Brass (**68**), Weathered Brass (**70**), Lacquered Polished Black Nickel (**71**) and Lacquered Polished Copper (**80**).
- Please See Cleaning Instructions: <http://herbeau.com/CleaningAll.pdf> For Finish Care and Maintenance Information.

Part#

Description

- | | |
|----|--|
| 01 | Main Body - Cannot be Ordered Separately |
| 02 | Finished Escutcheon - Cannot be Ordered Separately |
| 03 | Rubber Washer - Cannot be Ordered Separately |
| 04 | Metal Washer - Cannot be Ordered Separately |
| 05 | Metal Washer - Cannot be Ordered Separately |
| 06 | Brass Nut - Cannot be Ordered Separately |
| 90 | 4518 Rebuild Kit |

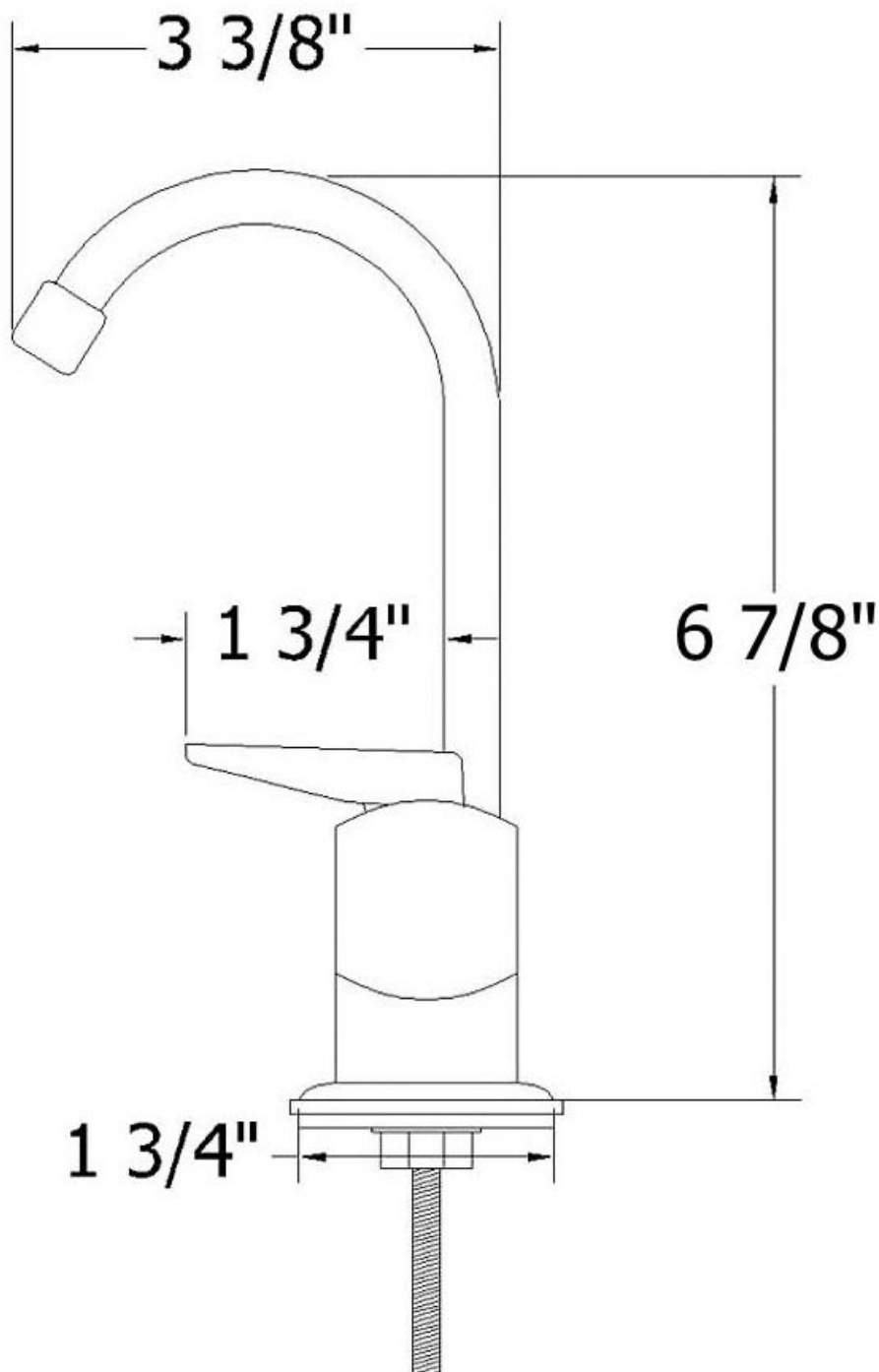
Please follow example when ordering parts for Water Dispenser Tap

- To order part# 90 – 4518 Rebuild Kit
 - 990218
- Please substitute finish number needed in place of **XX**



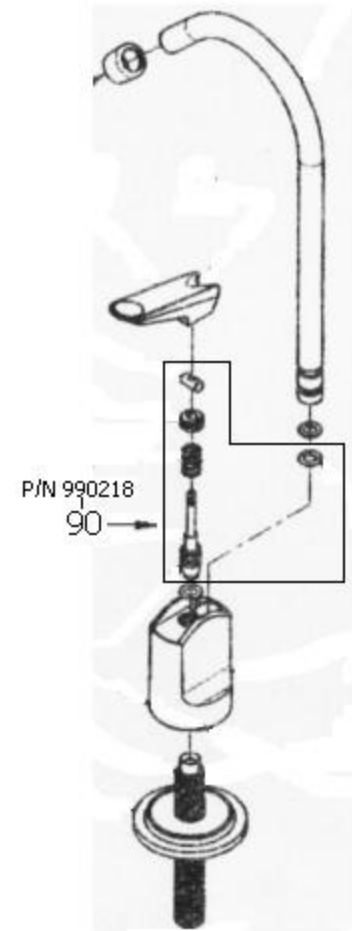
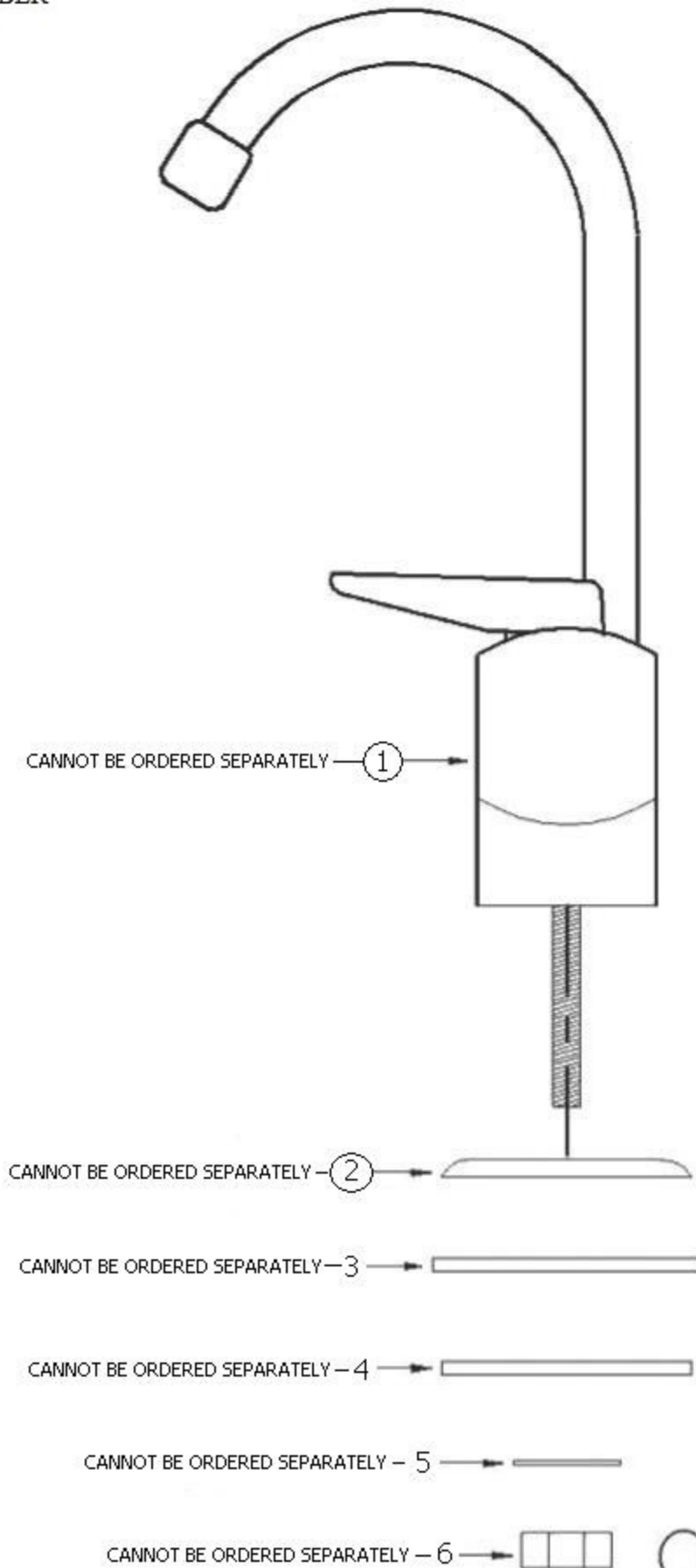
Herbeau[®]
L'Art du Sanitaire depuis 1857

4518 - Water Dispenser Tap



4518 - Water Dispenser Tap

*P/N = PART NUMBER



○ = FINISHED PARTS
XX = TWO DIGIT FINISH CODE