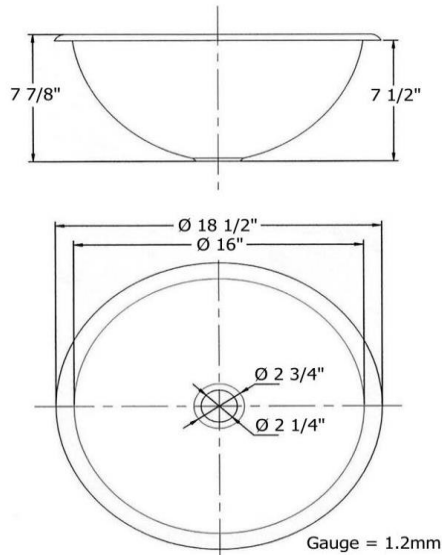


# 4303 – ‘Rhone’ Round Bowl



Dimensional Change Jan. 2008

Part #	Description
01	Finished Machine Screw
02	Finished Grid
03	Drain Gasket
04	Brass Tail Piece

## Technical Information

- Can be under-mounted with standard clips. Clips not included.
- Includes 4521, 1 1/2" Grid Strainer.
- Available with external overflow (4501 Special Order).
- Available finishes are French Weathered Copper (**46**), French Weathered Brass (**47**), Polished Brass (**55**), Polished Nickel (**56**), Brushed Nickel (**57**), Polished Copper & Brass (**58**), Weathered Copper (**59**), Satin Nickel (**60**), Hammered Weathered Copper & Brass (**61**), Hammered Polished Nickel (**65**), Hammered Satin Nickel (**66**), Weathered Brass (**70**), Hammered Brushed Nickel (**77**), Hammered Weathered Brass (**78**), Hammered Polished Brass (**79**), Hammered French Polished Copper (**81**), Hammered French Weathered Copper (**82**) and Hammered French Weathered Brass (**83**).
- Please See Cleaning Instructions:  
<http://herbeau.com/CleaningAll.pdf> For Finish Care and Maintenance Information.

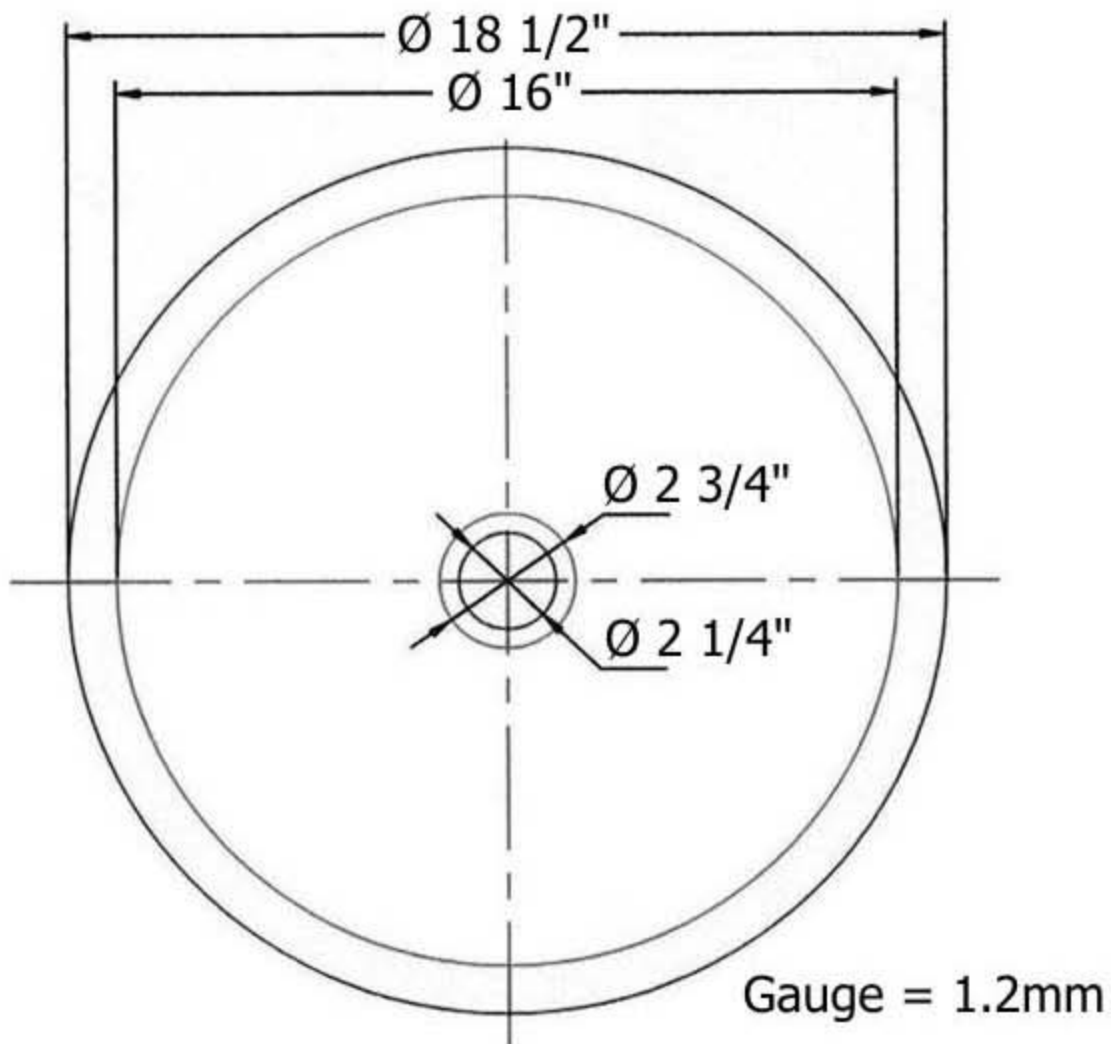
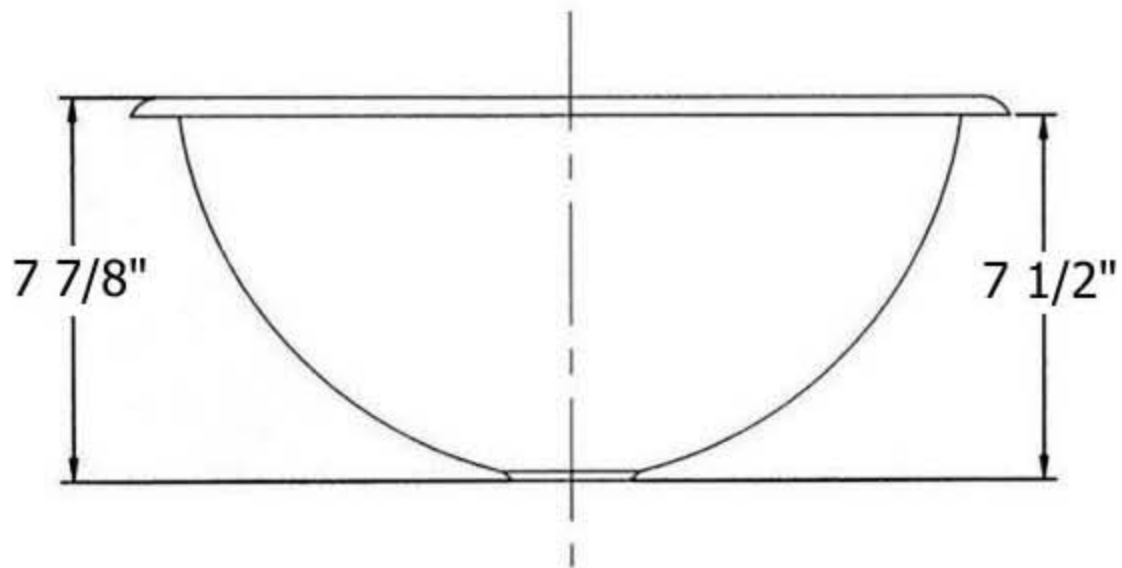
Please follow example when ordering parts for Rhone Round Bowl

- To order part#01 – Finished Machine Screw
  - 990022xx
- Please substitute finish number needed in place of xx



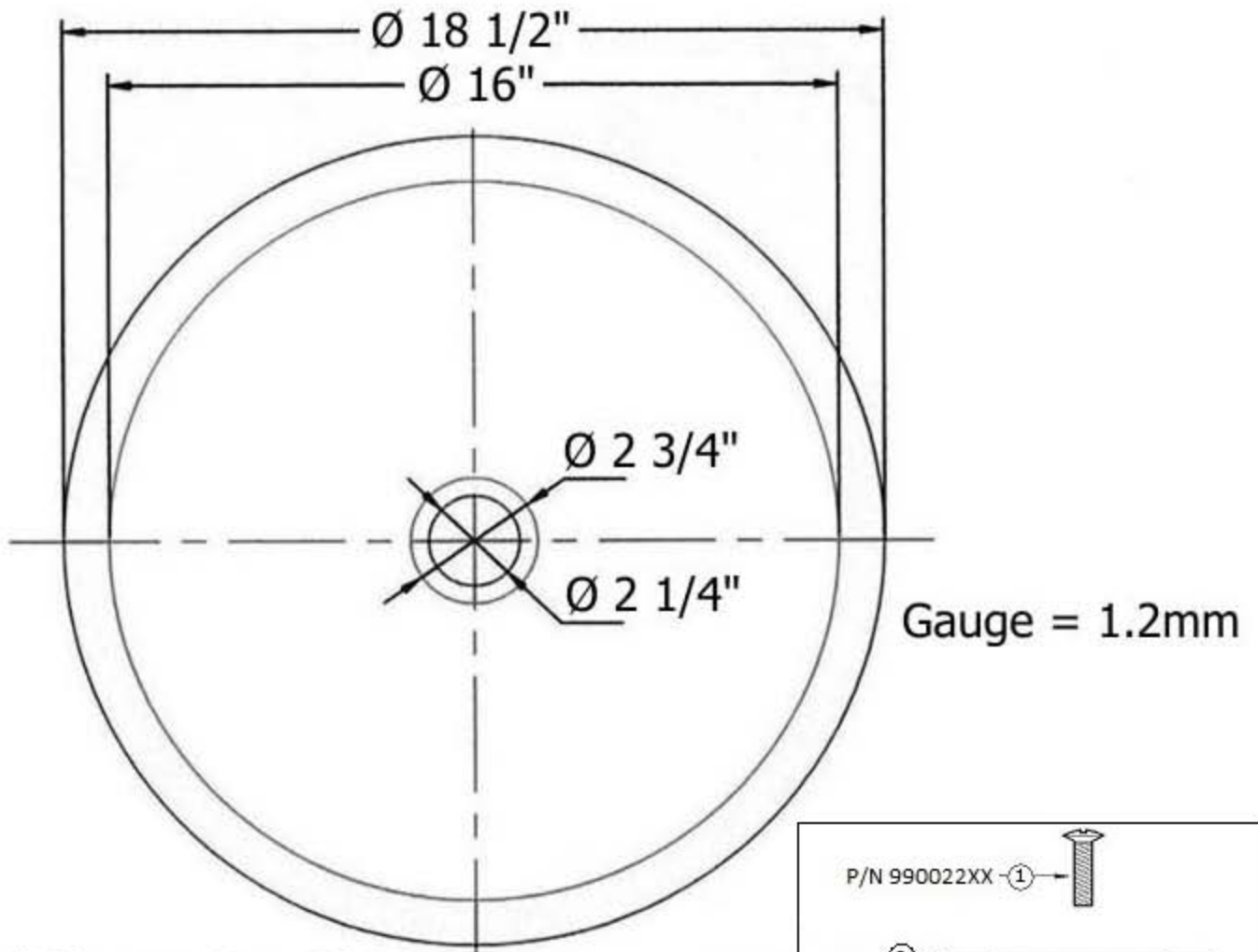
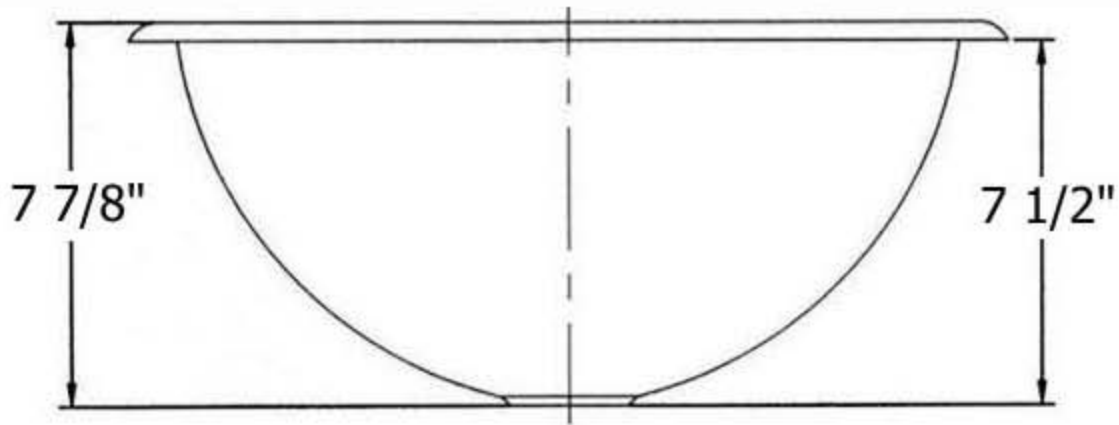
**Herbeau**<sup>®</sup>  
 L'Art du Sanitaire depuis 1857

# 4303 - 'Rhone' Round Bowl



Dimensional Change Jan. 2008

# 4303 - 'Rhone' Round Bowl



Dimensional Change Jan. 2008

\*P/N = PART NUMBER

4521 DRAIN →

○ = FINISHED PARTS  
XX = TWO DIGIT FINISH CODE

