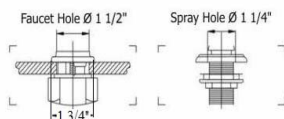
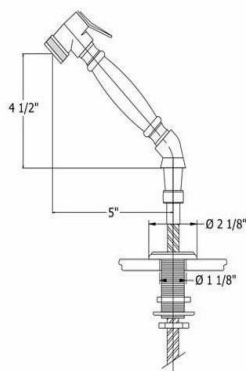
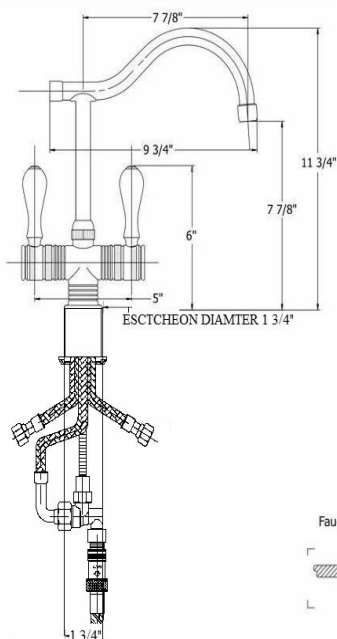


4207 - 'Valence' Single Hole Mixer with Hand Spray



Part	Description
52	Metal Ring & Rubber Washer
53	Flat Rubber Washer
54	Hand Spray Elbow
56	Hand Spray Coupler
57	Finished Wood or White Ceramic Handle
58	Threaded Supply Line
59	Finished Hand Spray Flange
60	Hand Spray Escutcheon
61	Top Connector
62	Head Assembly
63	Hex Nut
64	Plastic Aerator Inserts
64	4 Piece Grill Kit
67	Finished Aerator Screw
81	¼ Turn Ceramic Cartridge-Hot
82	¼ Turn Ceramic Cartridge-Cold
91	Diverter Brass Adapter Kit
91	½" Washer

Technical Information

- IAPMO: NSF/ANSI 61, NSF/ANSI 372 & ASME A112.18.1/CSA B125.1 Certified.
- Uses Flühs Ceramic Cartridges.
- Faucet Body Requires 1 1/2" Hole Drilling.
- Hand Spray Requires 1 ¼" Hole Drilling.
- Maximum Flow Rate is 1.2 GPM With New Low Flow Restrictor.
- 3/8" Flexible Hose Connections.
- Available Finishes are French Weathered Copper & Brass(46), Lacquered Matte Black Nickel(50), Polished Brass(55), Polished Nickel(56), Brushed Nickel(57), Polished Copper and Brass(58), Weathered Copper and Brass(59), Satin Nickel(60), Antique Lacquered Copper & Brass(67) and Lacquered Polished Black Nickel(71).
- Faucet Normally Ships With Ceramic Handles (20). Please Specify When Ordering If You Would Prefer Wood Handles (63).
- Please See Cleaning Instructions: <http://herbeau.com/CleaningAll.pdf> for Finish Care and Maintenance.

Part#	Description
01	Handle Screw
02	Finished Metal Washer
03	Rubber O-Ring
04	Handle Escutcheon/Copper/ Brass
05	Handle Elbow
07	Nylon Clip
08	Rubber O-Ring
09	Swan Nut
10	Flat Rubber Washer
11	Aerator Washer
12	Aerator Filter
13	Aerator Cover
14	Main Body
16	Splined Insert
17	Connector
18	30" X 3/8" Flexible Supply Hose & O-Ring
18	12" X 3/8" Flexible Supply Hose & O-Ring
19	Rubber O-Ring
20	Threaded Supply Line
21	Braided 90° Supply Line
22	Metal Horseshoe Washer
23	Washer
24	Brass Nut
25	Rubber O-Ring
26	PVC Tube
27	Rubber O-Ring
28	Rubber O-Ring
29	Rubber Horseshoe Washer
30	Washer

92	Complete Hand Spray Kit
93	Finished Wood or White Ceramic Handle
94	Complete Spout Assembly
95	Black Plastic Diverter Block Kit

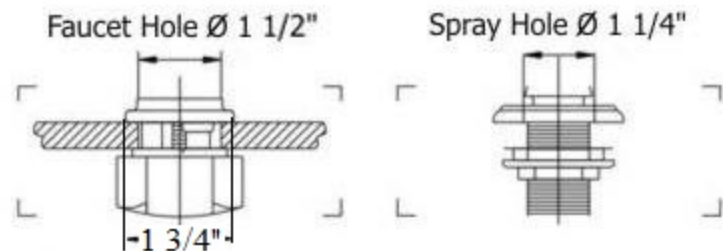
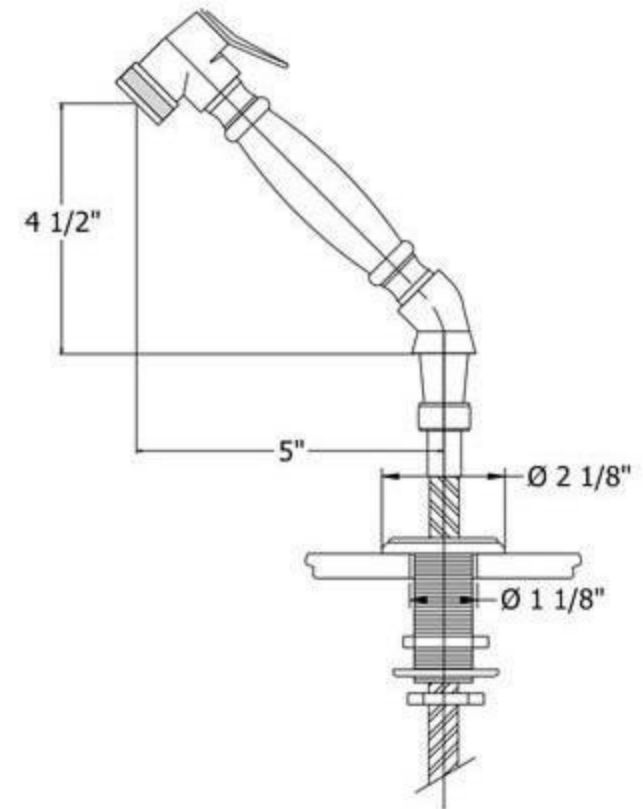
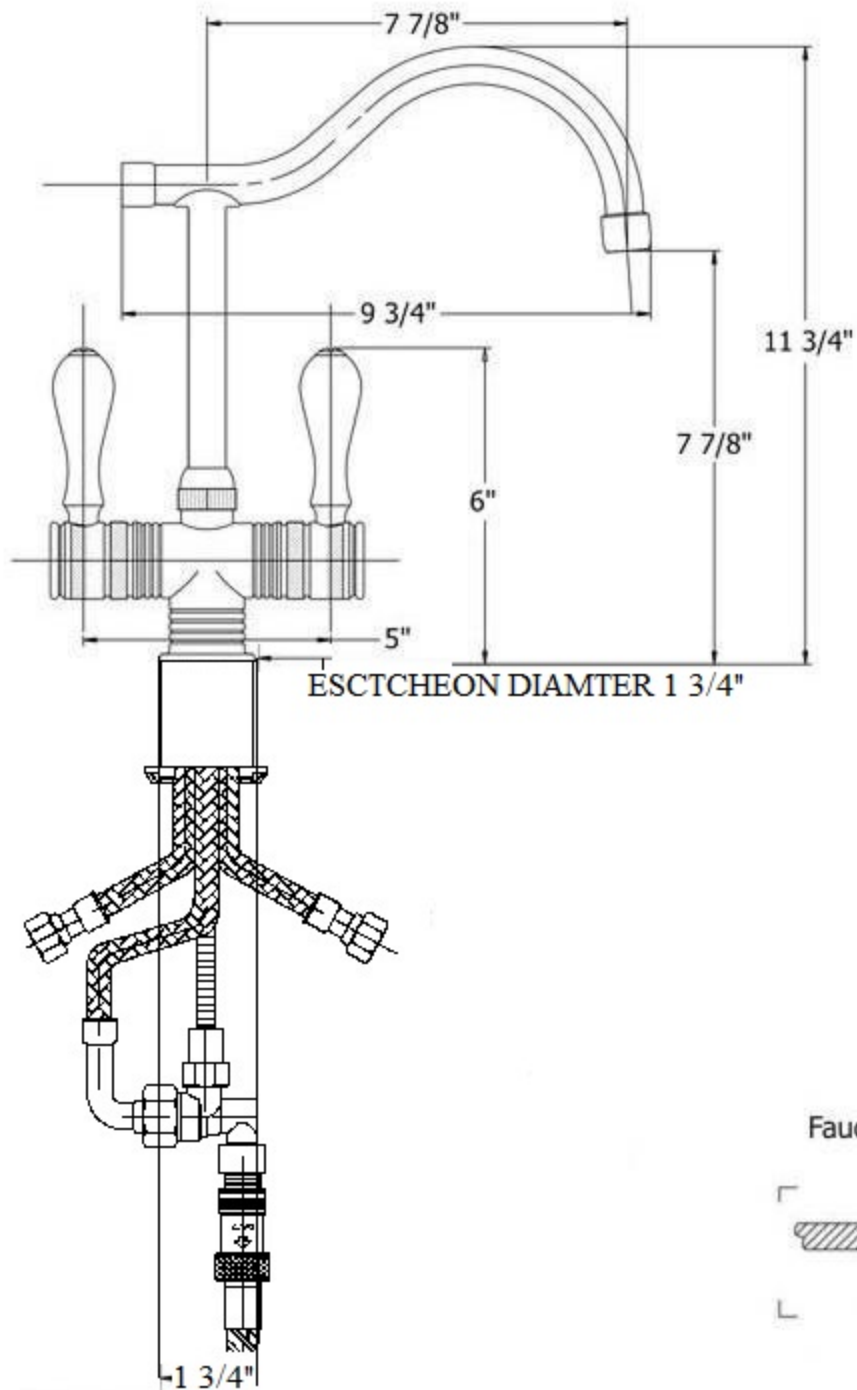
Please follow example when ordering parts for 'Valence' Single Hole Mixer With Hand Spray

- To order part #94 – Spout Assembly
 - 990072 XX
- Please substitute finish number needed in place of XX.



Herbeau[®]
L'Art du Sanitaire depuis 1857

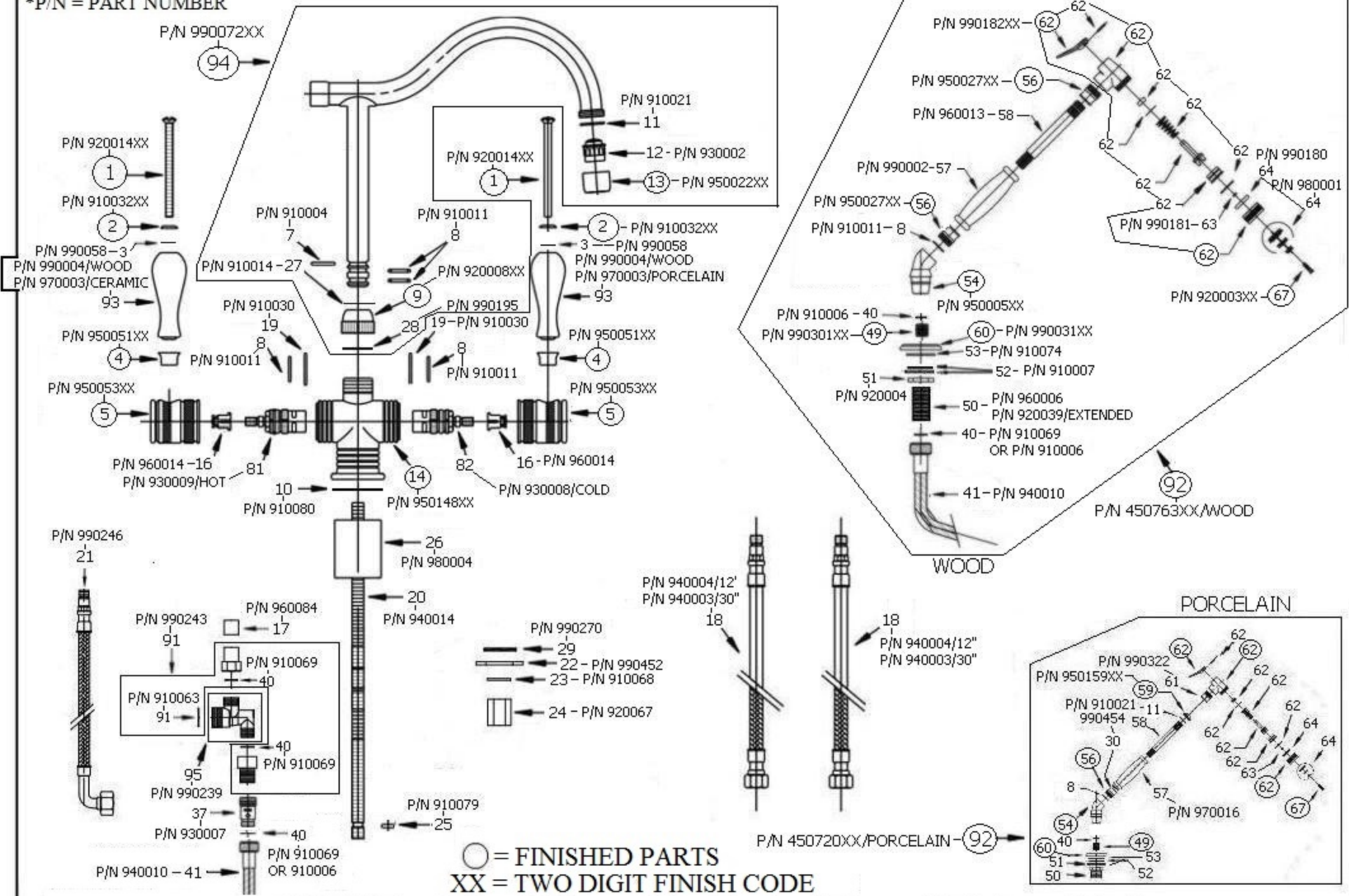
4207 - 'Valence' Mixer with Hand Spray



Copyright©2017 Herbeau Creations. All rights reserved. All product and specifications are subject to change without notice. Herbeau Creations is not responsible for typographical and/or dimensional errors. Typographical errors are subject to correction.

4207 - 'Valence' Mixer with Hand Spray

*P/N = PART NUMBER



Copyright©2017 Herbeau Creations. All rights reserved. All product and specifications are subject to change without notice. Herbeau Creations is not responsible for typographical and/or dimensional errors. Typographical errors are subject to correction.