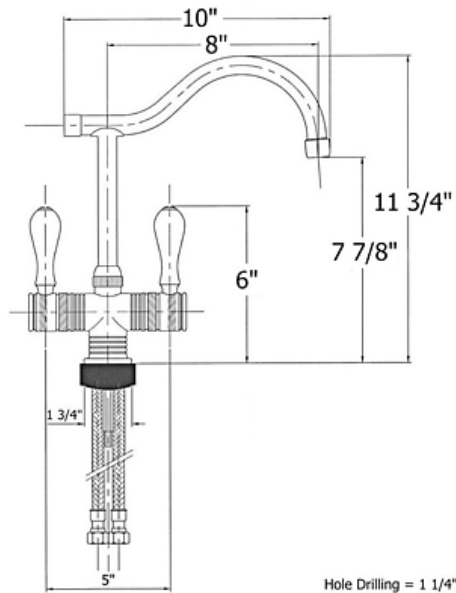


# 4205 - 'Valence' Single Hole Mixer



Part #	Description
01	Handle Screw
02	Finished Metal Washer
03	Rubber O-Ring
04	Handle Escutcheon
	Copper/Brass
05	Handle Elbow
07	Nylon Clip
08	Rubber O-Ring
09	Swan Nut
10	Flat Rubber Washer
11	Aerator Washer
12	Aerator Filter
13	Aerator Cover
14	Main Body
16	Spline Adapter
18	12" X 3/8" Flexible Supply Hose & O-Ring
18	Optional 30" X 3/8" Flexible Supply Hose & O-Ring
19	Rubber O-Ring
20	Threaded Stem
20	Optional 12" Extended Threaded Stem
22	Brass Horseshoe
23	Brass Washer
24	Brass Nut
27	Rubber O-Ring
28	Rubber O-Ring
29	Rubber Horseshoe Washer
81	¼ Turn Ceramic Hot Cartridge
82	¼ Turn Ceramic Cold Cartridge
91	Valence Complete Spout Assembly
93	Finished Wood or White Ceramic Handle

## Technical Information

- IAPMO: NSF/ANSI 61, NSF/ANSI 372 & ASME A112.18.1/CSA B125.1 certified.
- Uses Flühs ceramic cartridges.
- Requires 1 ¼" hole drilling.
- This faucet normally ships with Ceramic Handles (20). Please specify when ordering if you would prefer Wood Handles (63).
- Maximum flow rate is 1.2 GPM with new low flow restrictor.
- Available finishes are French Weathered Copper & Brass (46), French Weathered Brass (47), Polished Chrome (48), SoliBrass (49), Lacquered Matte Black Nickel (50), Polished Brass (55), Polished Nickel (56), Brushed Nickel (57), Polished Copper & Brass (58), Weathered Copper & Brass (59), Satin Nickel (60), Antique Lacquered Copper (67), Antique Lacquered Brass (68), Weathered Brass (70), Lacquered Polished Black Nickel (71) and Lacquered Polished Copper (80).
- Please See Cleaning Instructions: <http://herbeau.com/CleaningAll.pdf> For Finish Care and Maintenance Information.

Please follow example when ordering parts for 'Valence' Mixer

- To order part#91 – Spout Assembly

○ 990072xx

- Please substitute finish number needed in place of XX



**Herbeau**<sup>®</sup>  
L'Art du Sanitaire depuis 1857

# 4205 - 'Valence' Single Hole Mixer

