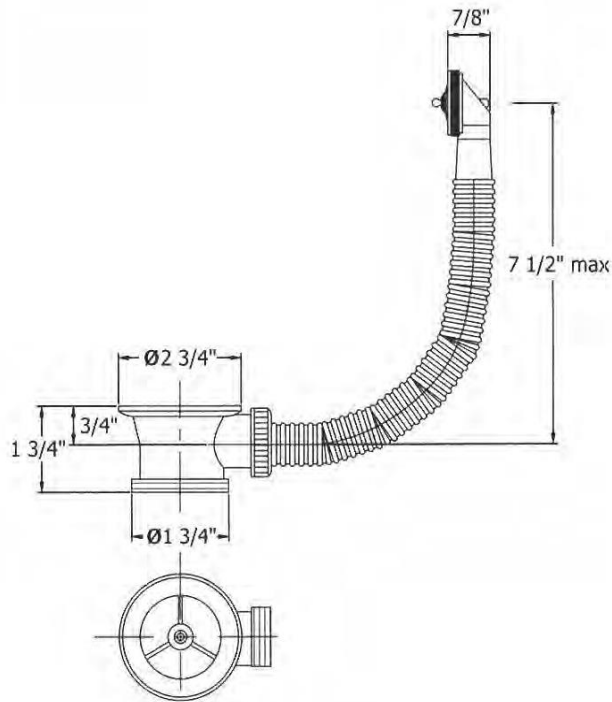


# 4070 – Overflow Set for Stopper Waste



Part #	Description
01	Drain Gasket
02	Tail Piece With Overflow Outlet & Gasket
03	Brass Nut
04	Overflow Pipe & Rectangular Ring With Gasket
06	Rectangular Gasket
07	Brass Flange
08	Chain Plug & Screw
09	Finished Machine Screw
10	Finished Grid

## Technical Information

- Order Plug & Chain (4525) separately.
- For use with ‘Opale’, ‘Sambre’ and ‘Meuse’ bowls.
- Available finishes are French Weathered Brass (**47**), Polished Chrome (**48**), SoliBrass (**49**), Lacquered Matte Black Nickel (**50**), Old Gold (**52**), Old Silver (**53**), Polished Brass (**55**), Polished Nickel (**56**), Brushed Nickel (**57**), Satin Nickel (**60**), Antique Lacquered Copper (**67**), Antique Lacquered Brass (**68**), Weathered Brass (**70**), Lacquered Polished Black Nickel (**71**) and Lacquered Polished Copper (**80**).
- Please See Cleaning Instructions: <http://herbeau.com/CleaningAll.pdf> For Finish Care and Maintenance Information.

Please follow example when ordering parts for Overflow Set

- To order part# 07 – Brass Flange

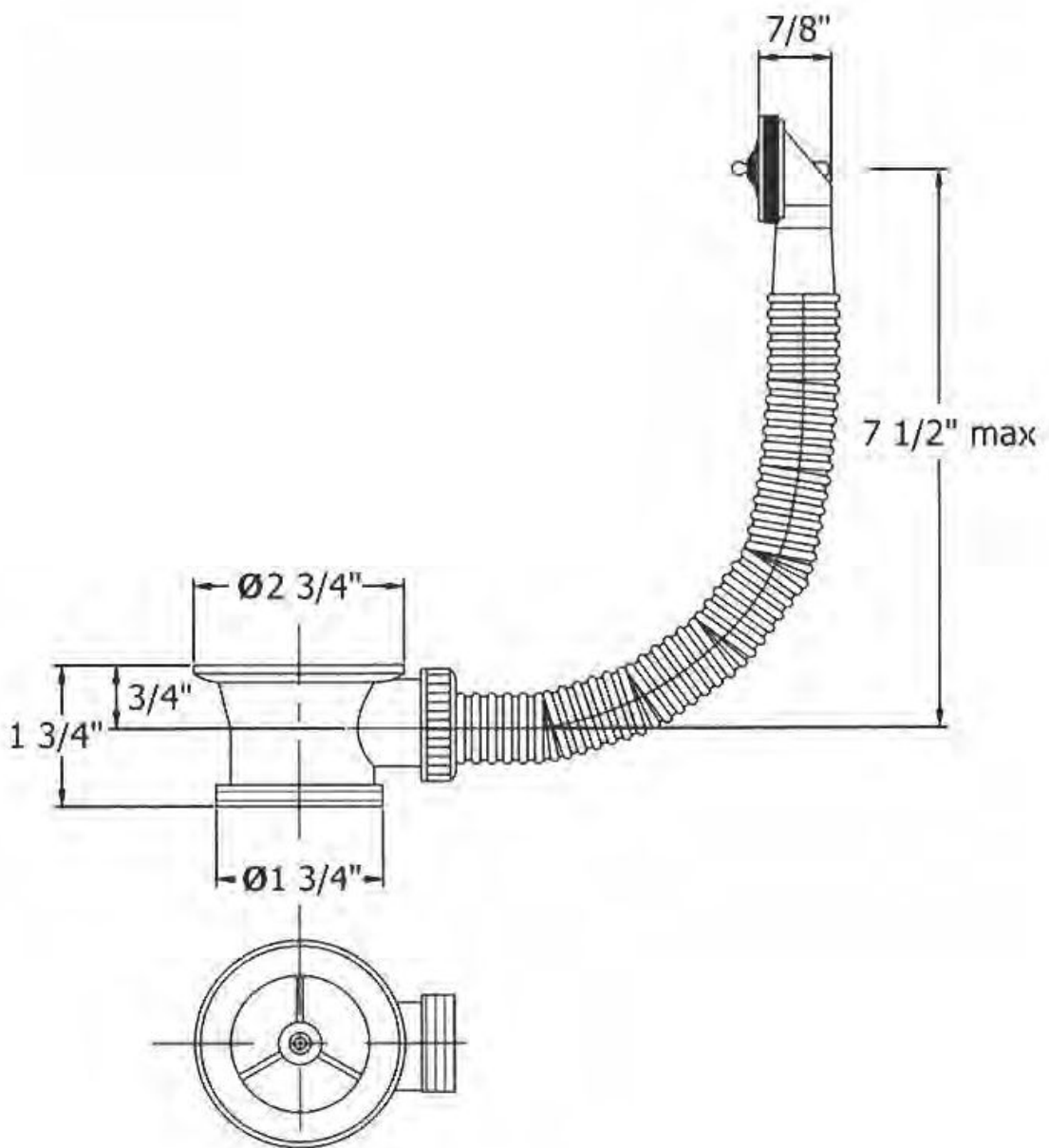
○ 990141xx

- Please substitute finish number needed in place of **XX**



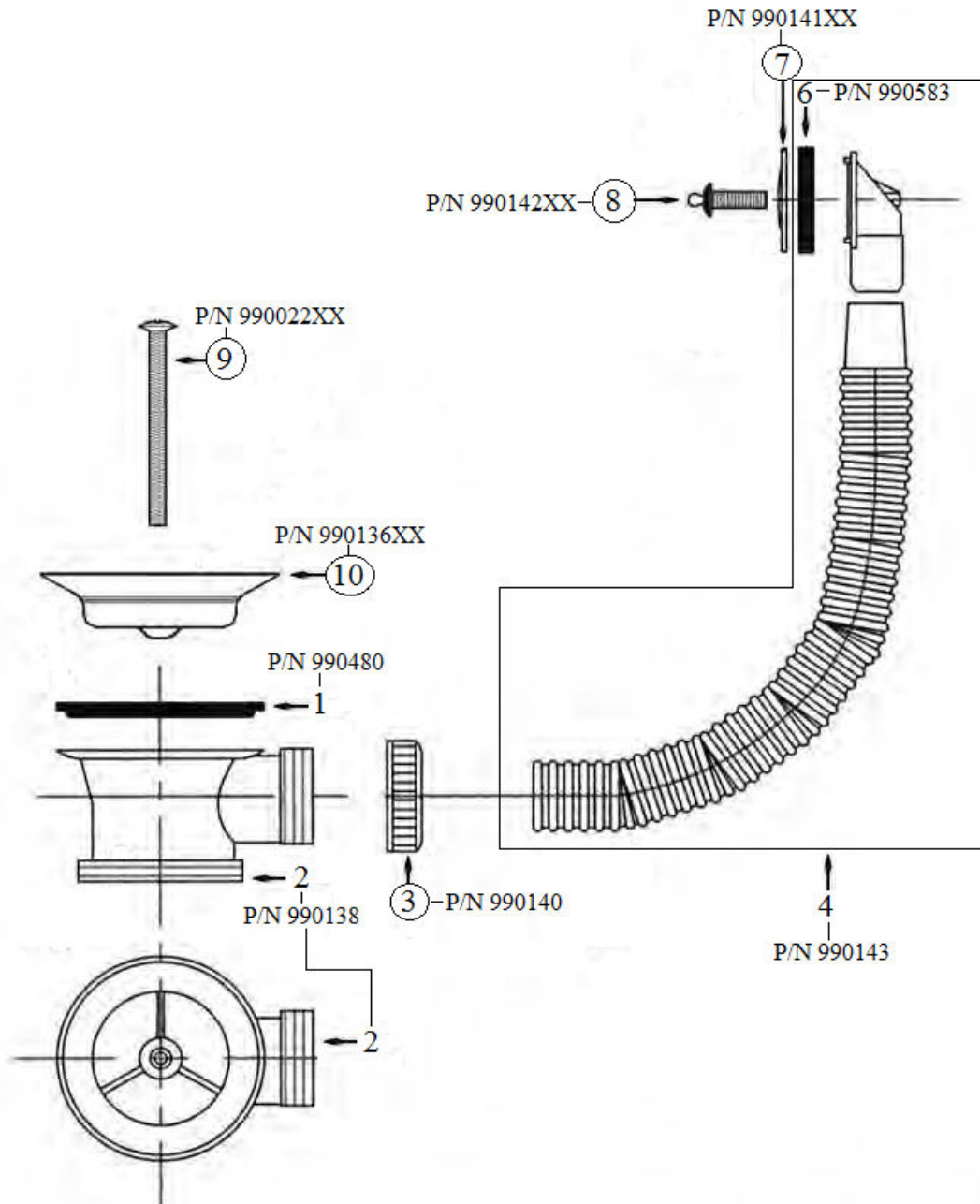
**Herbeau**<sup>®</sup>  
L'Art du Sanitaire depuis 1857

# 4070 - Overflow Set for Stopper Waste



# 4070 - Overflow Set for Stopper Waste

\*P/N = PART NUMBER



○ = FINISHED PARTS

XX = TWO DIGIT FINISH CODE