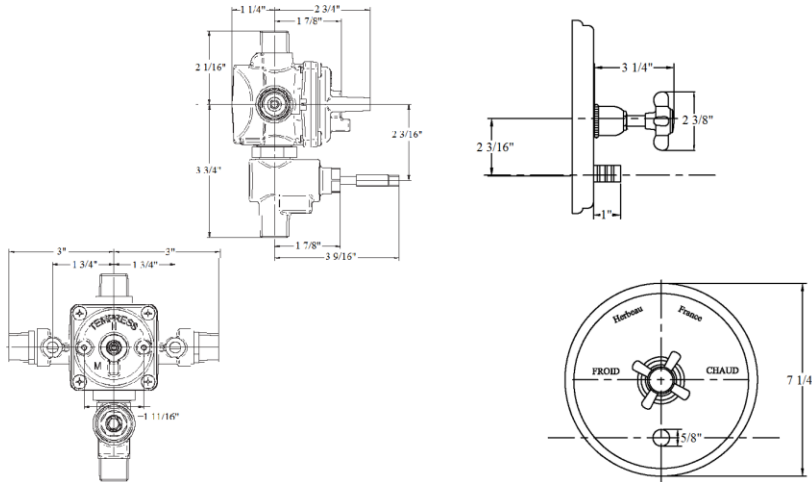


3076 – ‘Royale’ Pressure Balance Valve with Diverter



Technical Information

- Controls temperature and volume.
- For 1/2" rough pressure balance valve.
- Available finishes are French Weathered Brass (47), Polished Chrome (48), SoliBrass (49), Lacquered Matte Black Nickel (50), Old Gold (52), Old Silver (53), Polished Brass (55), Polished Nickel (56), Brushed Nickel (57), Satin Nickel (60), Antique Lacquered Copper (67), Antique Lacquered Brass (68), Weathered Brass (70), Lacquered Polished Black Nickel (71) and Lacquered Polished Copper (80).
- Please See Cleaning Instructions: <http://herbeau.com/CleaningAll.pdf> For Finish Care and Maintenance Information.

Please follow example when ordering parts for Royale Pres. Bal. Valve

- To order part#10 – Royale Cross Handle
 - 950064xx
- Please substitute finish number needed in place of xx

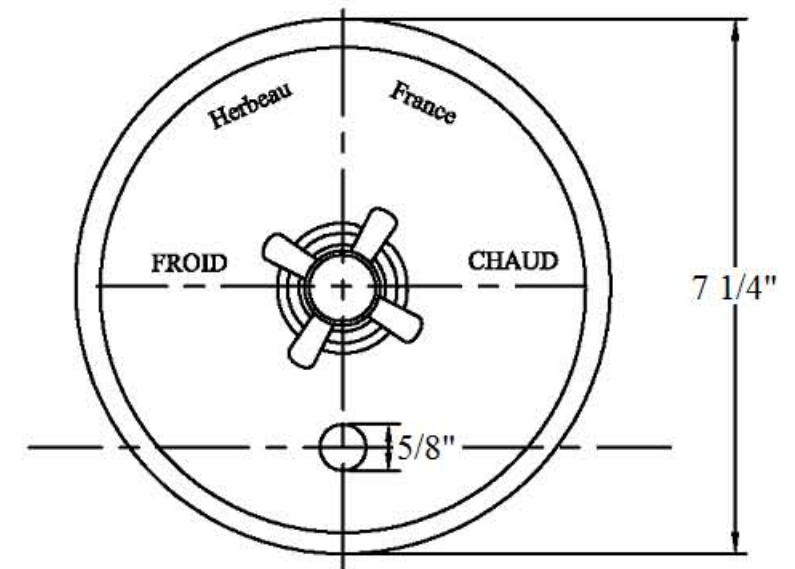
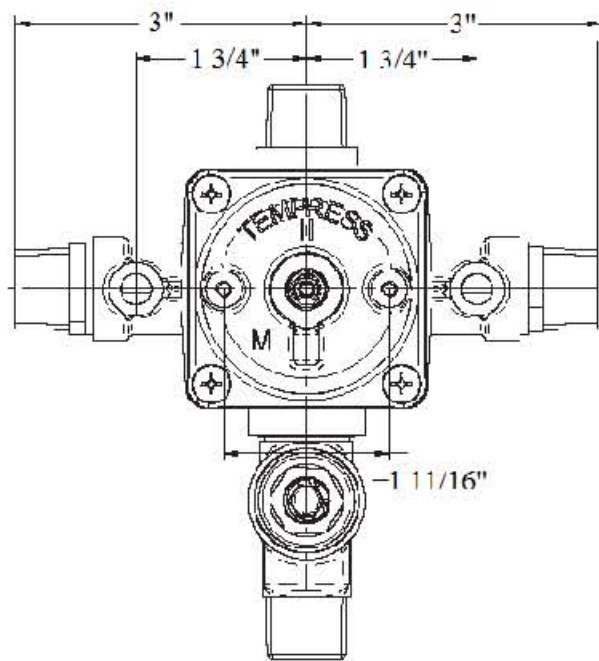
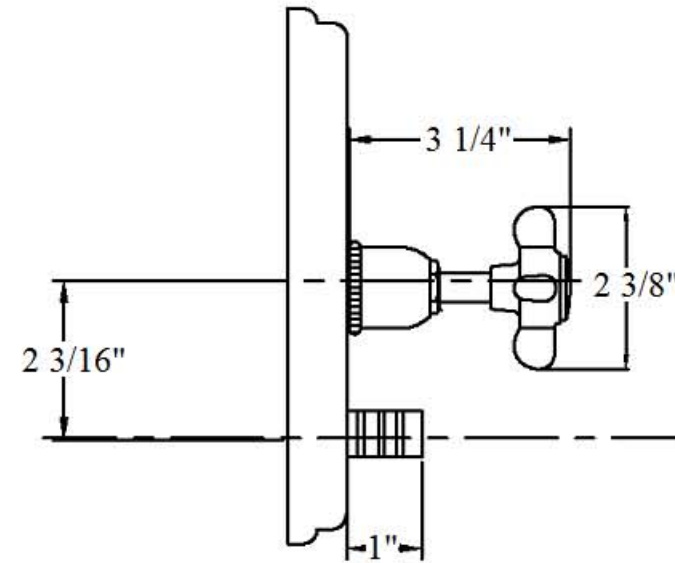
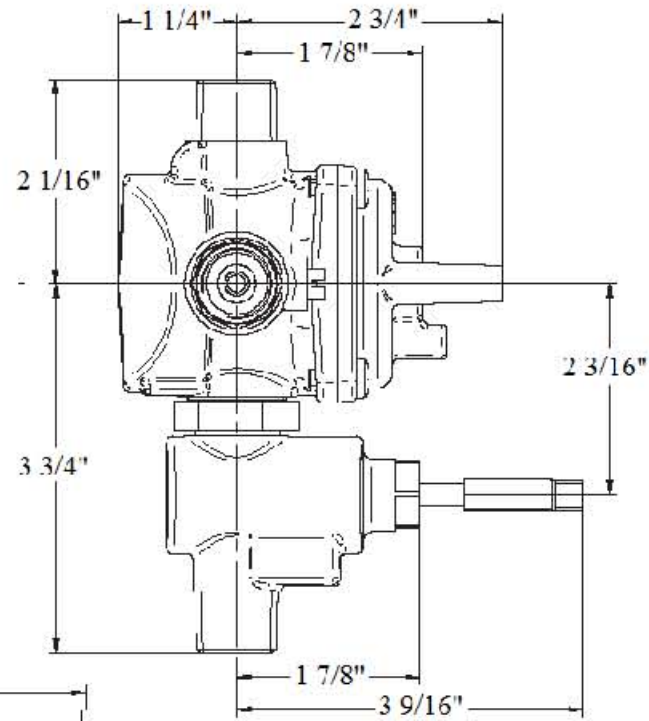
Part # Description

Part #	Description
	<u>TRIM</u>
01	Mounting Plate
02	Finished Screw
03	Lille Wall Plate
04	Bell Escutcheon & Stem
05	Small Lille Handle
06	Handle Screw
07	Washer
08	Rubber O-Ring
09	Handle Stem
10	Cross Handle
11	Finished Insert Holder
12	Black Logo Ceramic Insert
13	Hex Nut
91	Royale Insert Black Logo Assembly
	<u>ROUGH</u>
01	Screw
02	Stem
03	Collar
04	Screw
05	Face Plate
06	O-Ring
07	Modular Cartridge
08	Diverter Cartridge
09	Collar
11	Hex Collar
12	Hex Nut
13	1/2" Handle Ext. Kit
14	3/4" Handle Ext. Kit



Herbeau
L'Art du Sanitaire depuis 1857

3076 - 'Royale' Pressure Balance Valve with Diverter

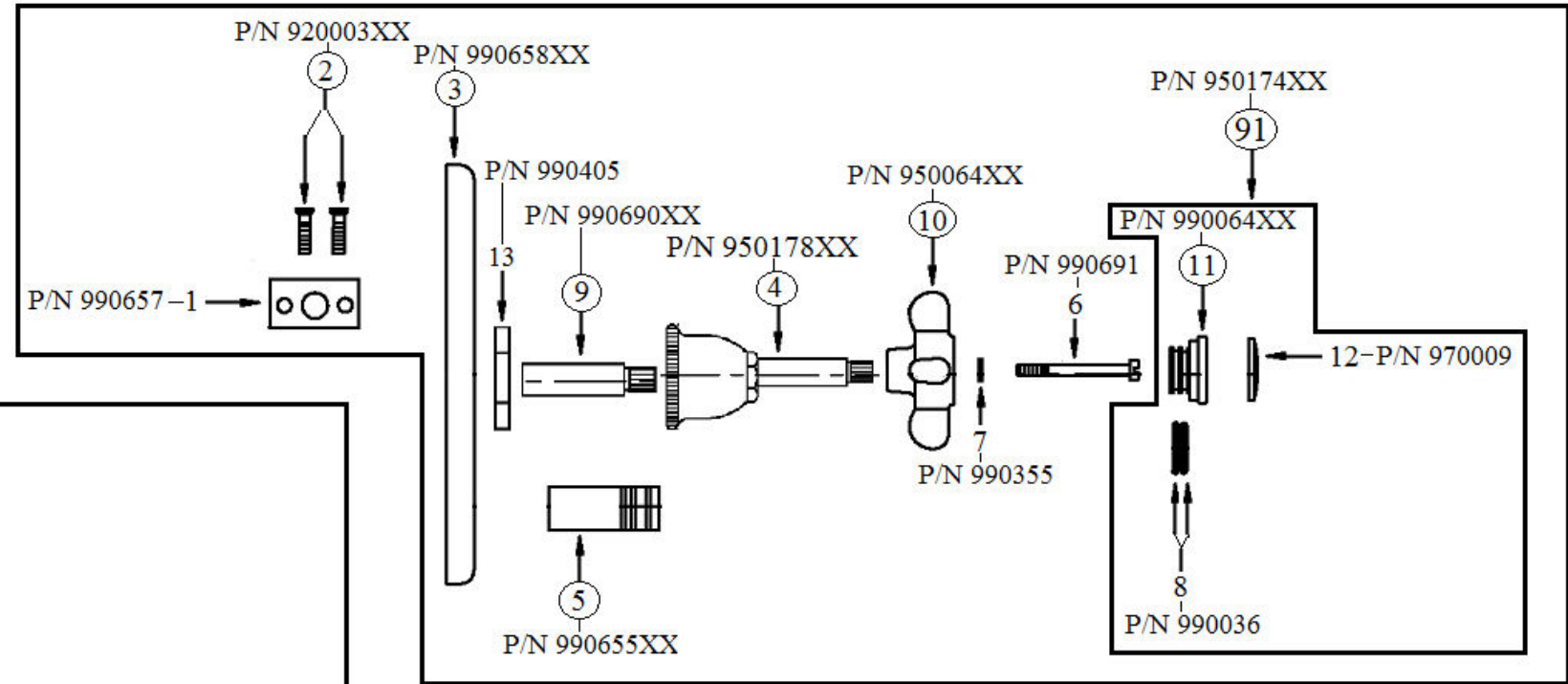
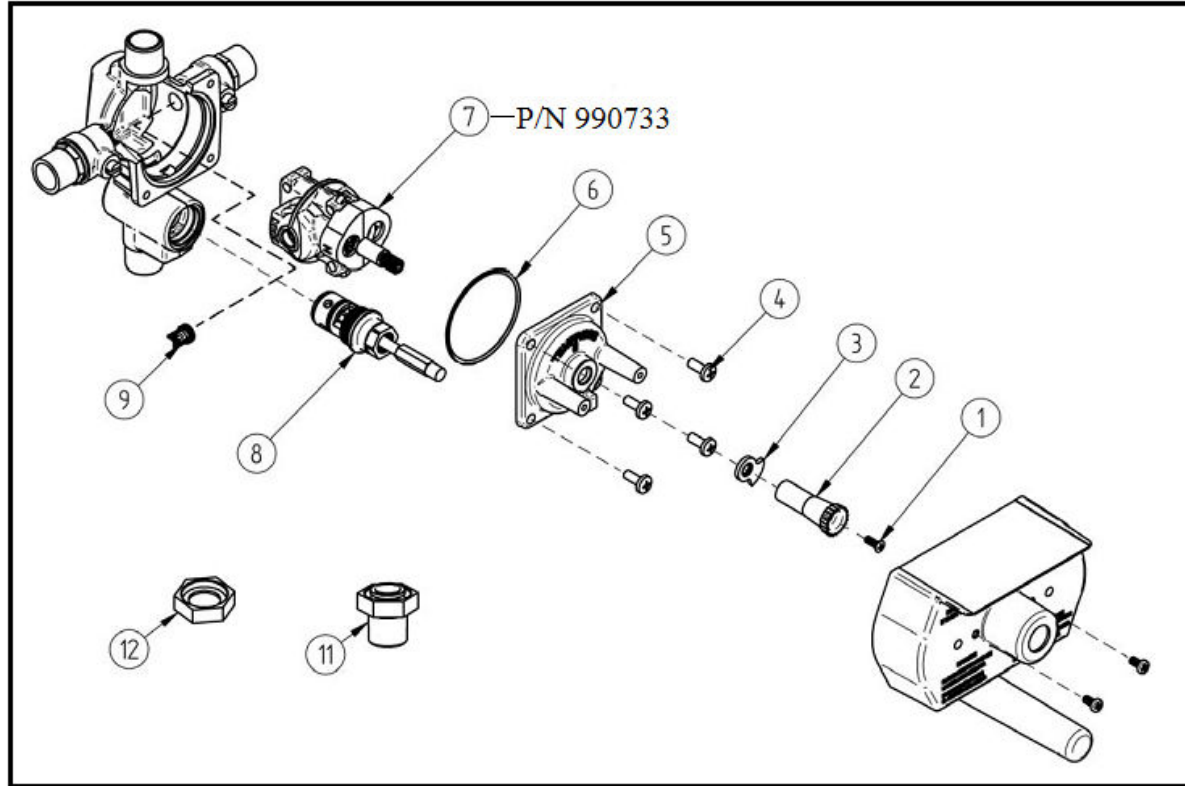


3076 - 'Royale' Pressure Balance Valve with Diverter

*P/N = PART NUMBER

- 13 - PART# 990731 - 1/2" HANDLE EXTENSION KIT
- 14 - PART# 990732 - 3/4" HANDLE EXTENSION KIT

3076-R Rough Only



3076(Finish)-Trim Only

○ = FINISHED PARTS

XX = TWO DIGIT FINISH CODE

Modular pressure balance valve – 4 ports with diverter

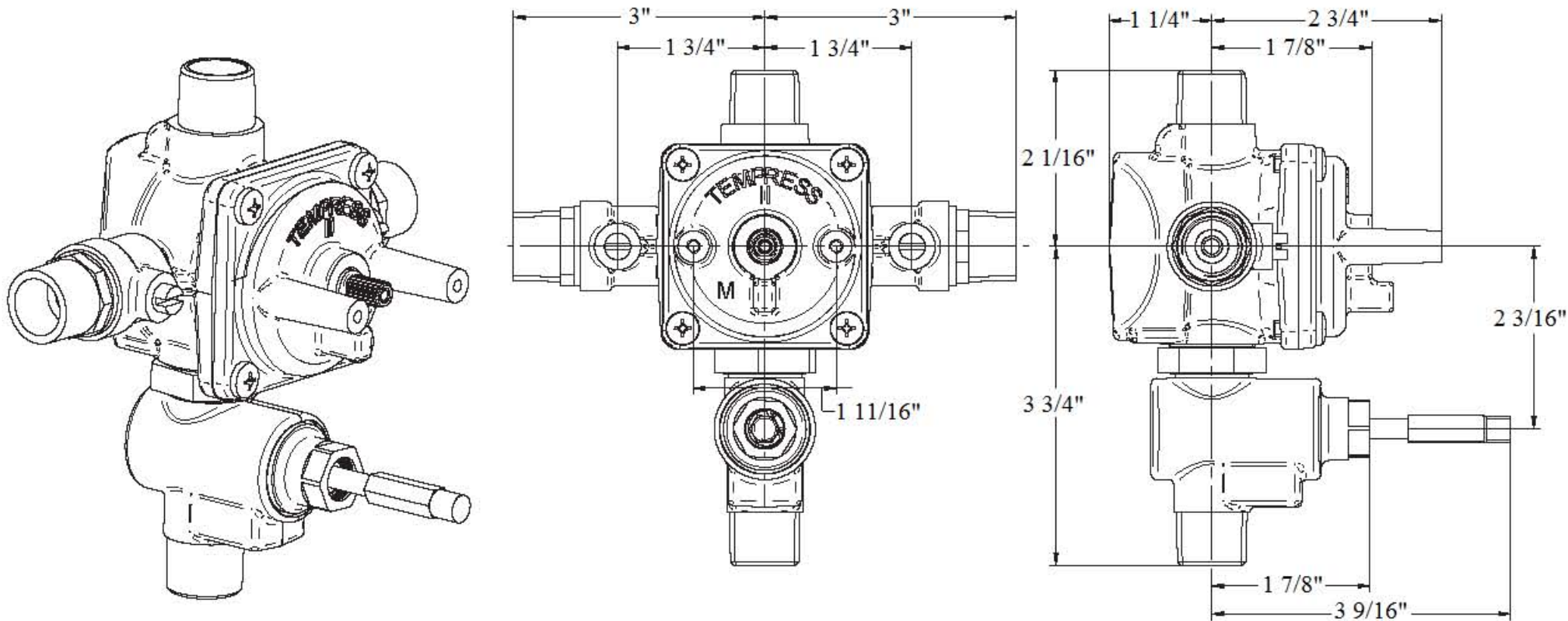
3076-R - manual diverter

Description

The new modular pressure balance rough-in valve replaces the existing valve and was developed with several new valuable features. Tempress pressure balance valves offer protection from scalding and cold shocks. The rotating handle control provides the user with precise temperature control and a wide comfort zone.

Features and Benefits

- Built-in service ball stops for convenience
- Check valves to prevent cross flow, reduce water hammer and direct water to cartridge
- ½" NPT male-C x C universal connections
- Protection against scalding and cold water shock provided by the diaphragm which compensates for water pressure fluctuations
- Temperature control within 3.6°F (2°C) of set point even with a 50% water pressure drop
- Reversible cartridge allows back to back installation, eliminating additional piping
- Shallow valve body suitable for thin wall installations
- Reduced stop to stop dimension allows for smaller escutcheons (trims)
- Elimination of inserts inside the valve cavity reduces replacement parts and trouble shooting
- Reduced overall dimensions thanks to a redesign of the valve and addition of a captive inlet O-ring to divert water
- Visual cartridge alignment and seating facilitates cartridge replacement



Technical Data

Min. operating pressure: 20 psi (140KPa)

Max. operating pressure: 125 psi (860 KPa)

Max. burst pressure: 500 psi (3450 KPa)

Max. hot water temperature: 180°F (80°C)

Flow rate

ID Diverter (automatic): Tub 6.5 USGPM (25 l/min) @ 50 psi (345 KPa)

Shower 5.3 USGPM (20 l/min) @ 50 psi (345 KPa)

ID Diverter (manual): Tub 5.3 USGPM (20 l/min) @ 50 psi (345 KPa)

Shower 4.7 USGPM (18 l/min) @ 50 psi (345 KPa)

Approvals

Approved to CSA B125, ASME A112.18.1,
and ASSE 1016 standards.



Product and specifications subject to change without notice.