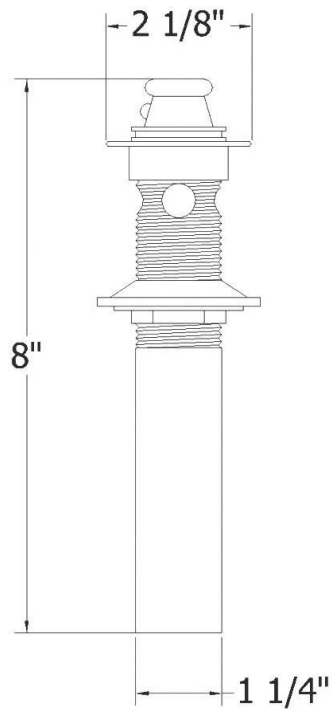


3017 – Lift and Turn Pull Out Plug



Part #	Description
01	*Top
02	*Top Connector
03	*Gasket
04	*Nut
05	*Tail Piece With Overflow Holes
Parts For 3017 Are Not Available Separately	

Technical Information

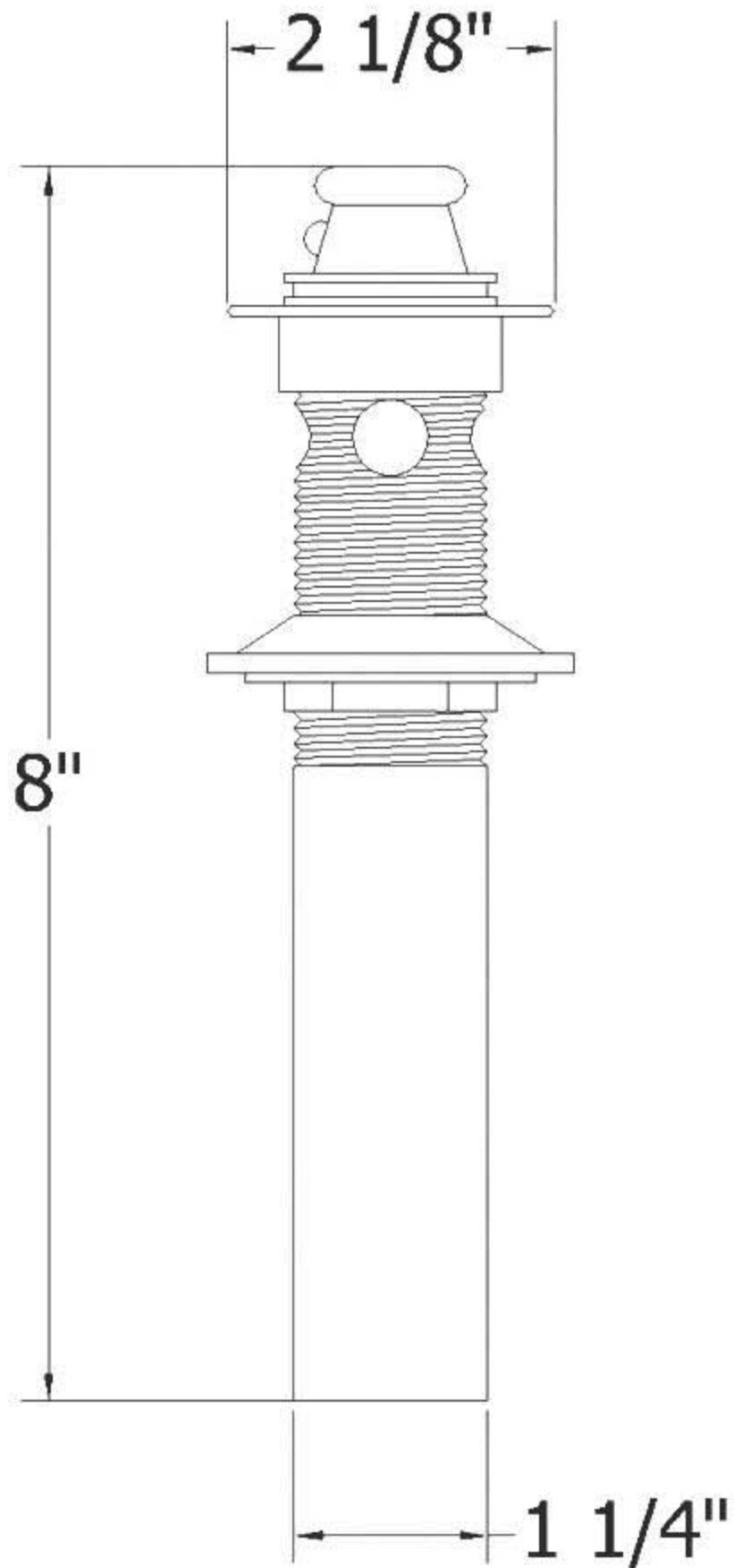
- Fits 1 1/2" opening.
- Tail piece 1 1/4" O.D.
- Has overflow holes.
- Available finishes are French Weathered Brass (47), Polished Chrome (48), SoliBrass (49), Lacquered Matte Black Nickel (50), Old Gold (52), Old Silver (53), Polished Brass (55), Polished Nickel (56), Brushed Nickel (57), Satin Nickel (60), Antique Lacquered Copper (67), Antique Lacquered Brass (68), Weathered Brass (70), Lacquered Polished Black Nickel (71) and Lacquered Polished Copper (80).
- Please See Cleaning Instructions: <http://herbeau.com/CleaningAll.pdf> For Finish Care and Maintenance Information.

* Parts For 3017 Are Not Available Separately*



Herbeau[®]
L'Art du Sanitaire depuis 1857

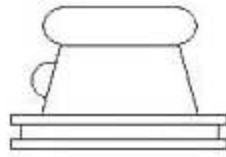
3017 - Lift & Turn P.O. Plug



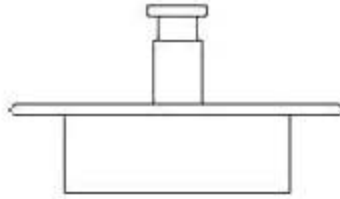
3017 - Lift & Turn P.O. Plug

*P/N = PART NUMBER

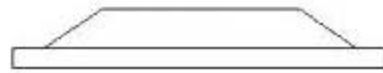
① →



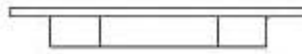
② →



3 →



4 →



⑤ →



○ = FINISHED PARTS

PARTS FOR 3017 ARE NOT AVAILABLE SEPARATELY

Copyright©2017 Herbeau Creations. All rights reserved. All product and specifications are subject to change without notice. Herbeau Creations is not responsible for typographical and/or dimensional errors. Typographical errors are subject to correction.