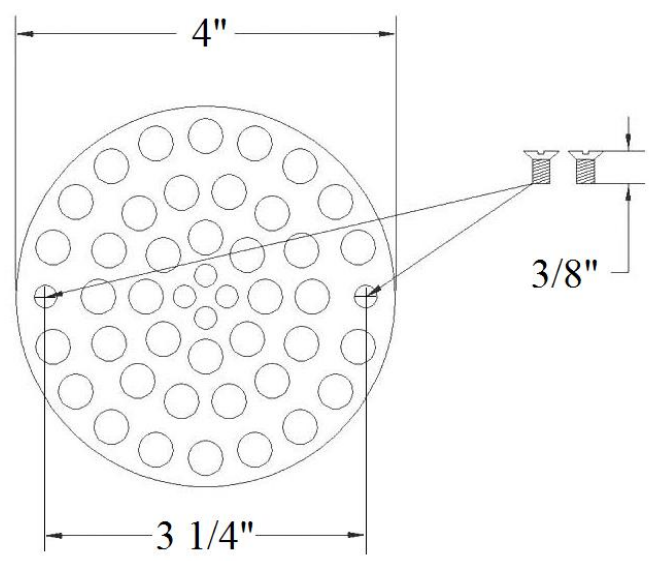


3016 – 4” Shower Drain Cover

Part #	Description
--------	-------------

01	*4” Cover
02	*Screws

*PARTS ARE NOT AVAILABLE SEPARATELY



Technical Information

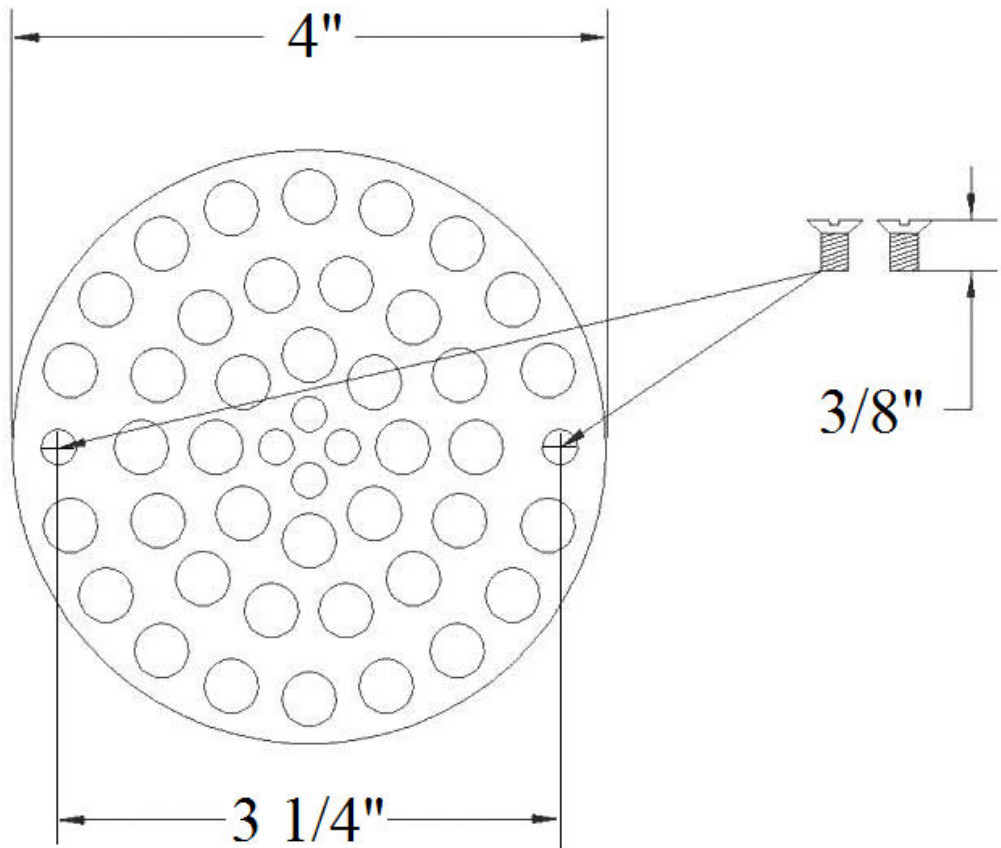
- 4” shower drain cover.
- 3 1/4” C.T.C. screw holes.
- Solid brass.
- Available finishes are French Weathered Brass (47), Polished Chrome (48), SoliBrass (49), Lacquered Matte Black Nickel (50), Old Gold (52), Old Silver (53), Polished Brass (55), Polished Nickel (56), Brushed Nickel (57), Satin Nickel (60), Antique Lacquered Copper (67), Antique Lacquered Brass (68), Weathered Brass (70), Lacquered Polished Black Nickel (71) and Lacquered Polished Copper (80).
- Please See Cleaning Instructions: <http://herbeau.com/CleaningAll.pdf> For Finish Care and Maintenance Information.

PARTS FOR 3016 ARE NOT AVAILABLE SEPARATELY



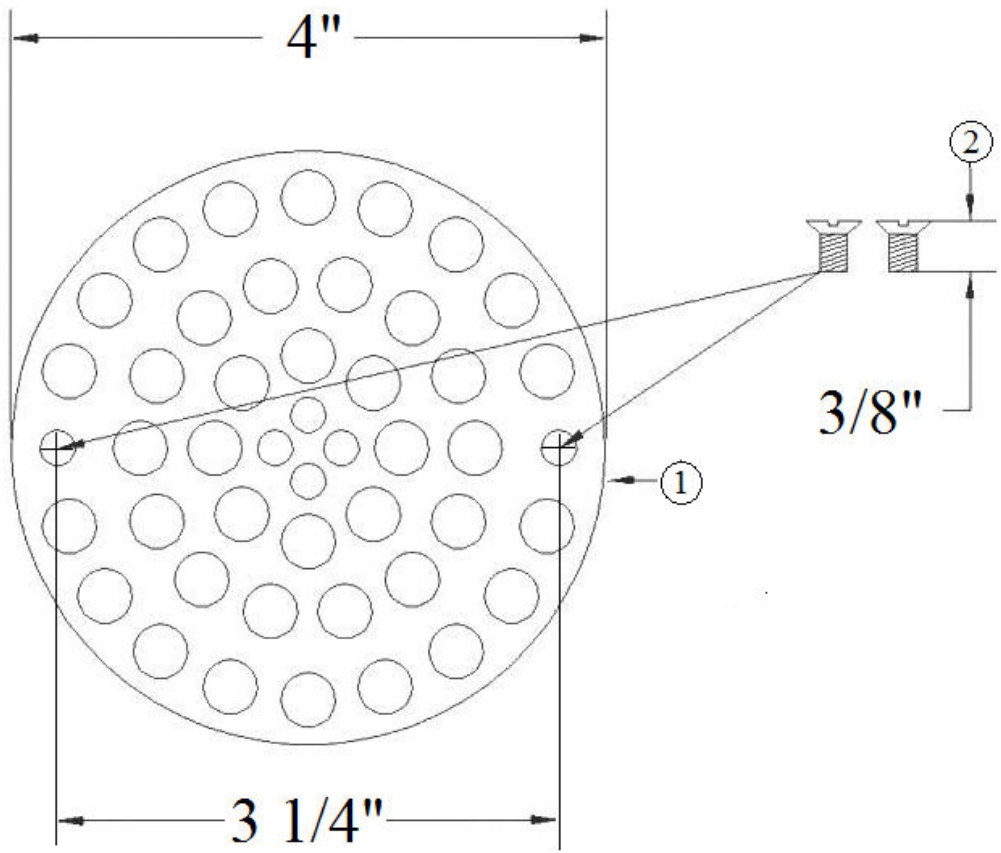
Herbeau[®]
L'Art du Sanitaire depuis 1857

3016 - 4" Shower Drain



3016 - 4" Shower Drain

*P/N = PART NUMBER



○ = FINISHED PARTS

*PARTS FOR 3016 ARE NOT AVAILABLE SEPARATELY