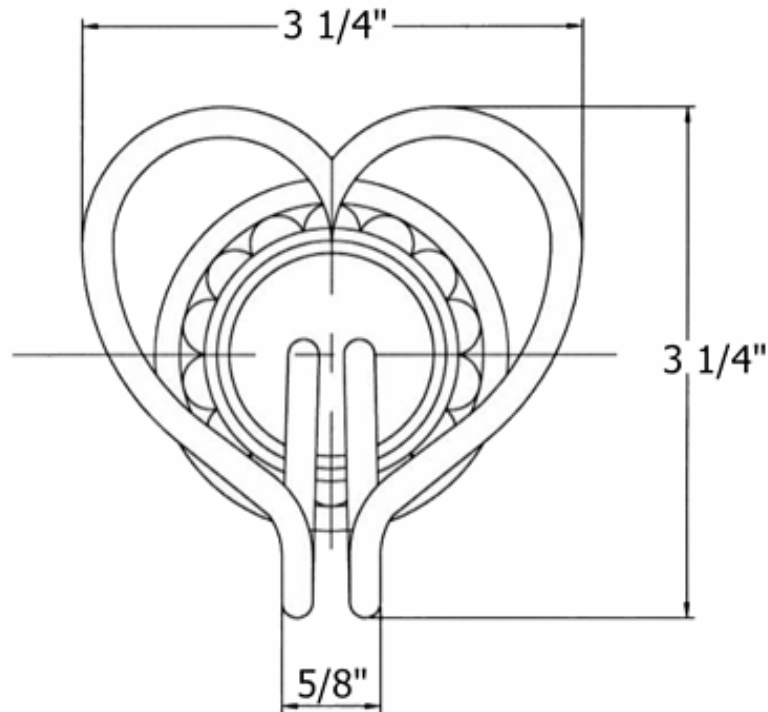

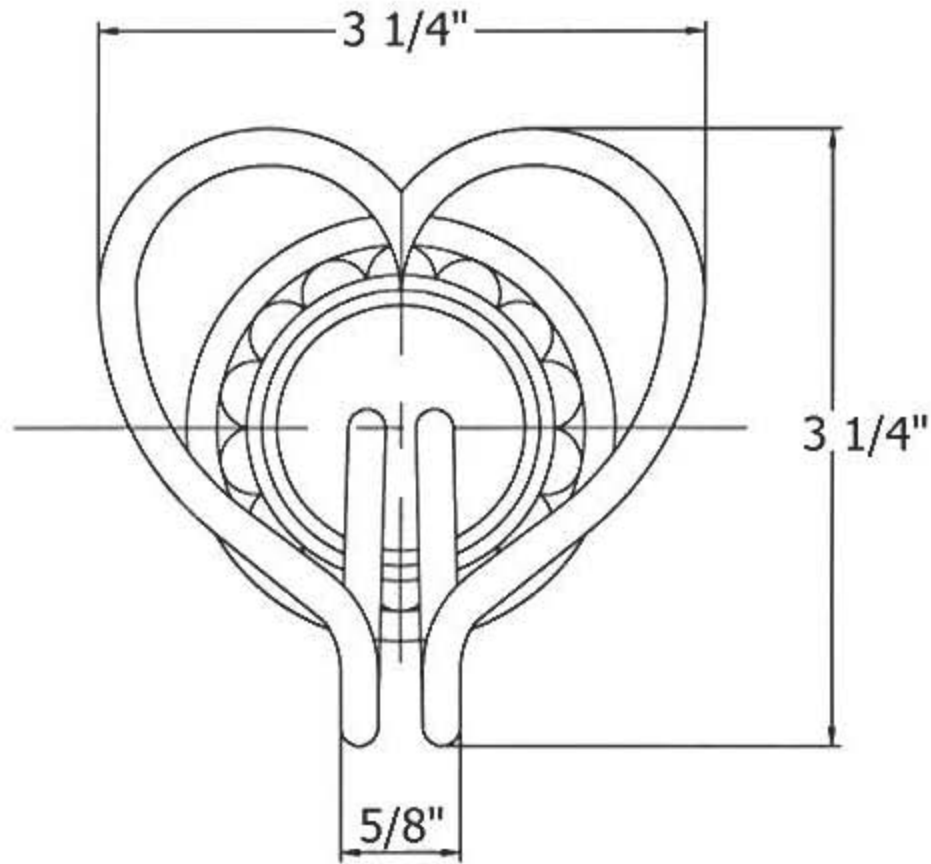


2302 – 'Pompadour' Coat Peg



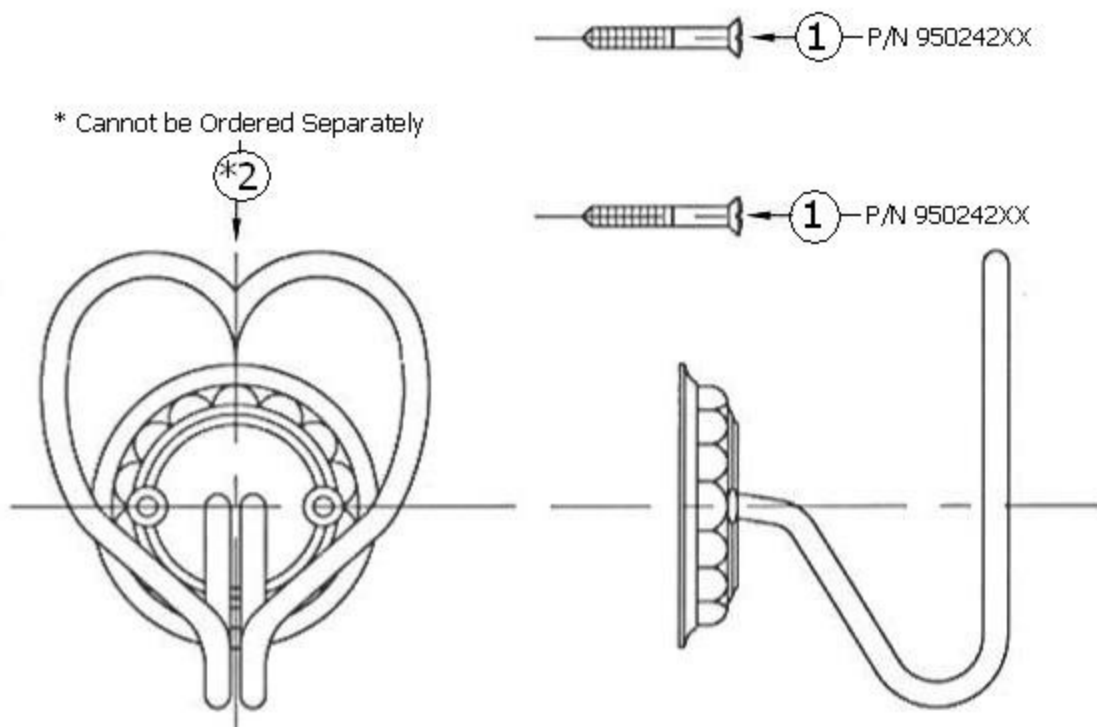
| | Part# | Description |
|---|-------------------|---|
| <p style="text-align: center;"><u>Technical Information</u></p> <ul style="list-style-type: none"> Available Finishes Are French Weathered Brass(47), Polished Chrome(48), Solibrass(49), Lacquered Matte Black Nickel(50), Old Gold(52), Old Silver(53), Polished Brass(55), Polished Nickel(56), Brushed Nickel(57), Satin Nickel(60), Antique Lacquered Brass(68), Weathered Brass(70) and Lacquered Polished Black Nickel(71). Please See Cleaning Instructions: http://herbeau.com/CleaningAll.pdf For Finish Care and Maintenance Information. | <p>01 *02</p> | <p>Finished Screws *Coat Peg – Cannot Be Ordered Separately</p> |
| <p><u>Please follow example when ordering parts for 'Pompadour' Coat Peg.</u></p> <ul style="list-style-type: none"> To order part#01– Finished Screws <ul style="list-style-type: none"> o <u>950242xx</u> Please substitute finish number needed in place of xx. | |  |

2302 - 'Pompadour' Coat Peg



2302 - 'Pompadour' Coat Peg

*P/N = PART NUMBER



○ = FINISHED PART

XX = TWO DIGIT FINISH CODE