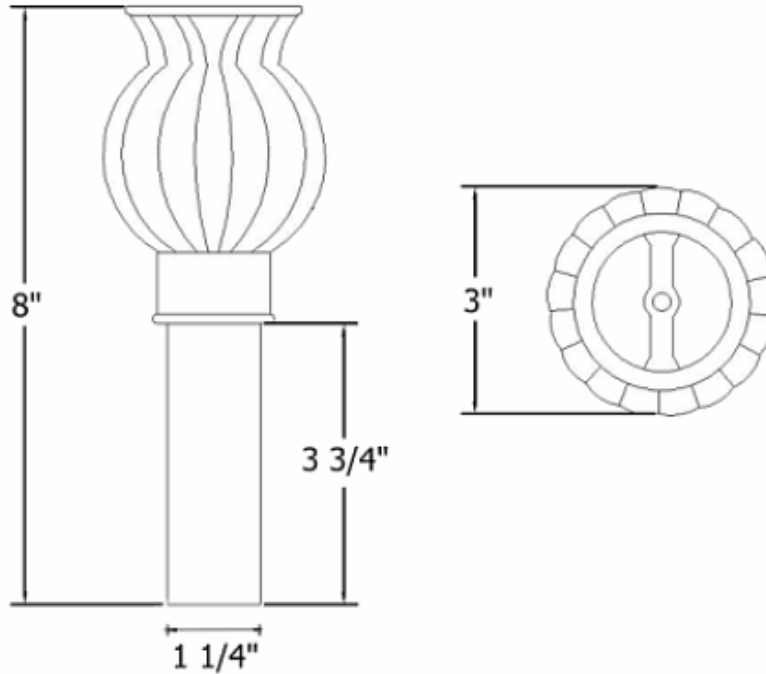


2124 – ‘Tulip’ Drain



Technical Information

- Includes #2120 Azalee Grid Strainer and Machine Screw.
- To be used with P-Trap #3013 or #3014.
- The ‘Tulip’ Drain with P-trap will pass UPC code.
- Available finishes are French Weathered Brass (**47**), Polished Chrome (**48**), SoliBrass (**49**), Lacquered Matte Black Nickel (**50**), Old Gold (**52**), Old Silver (**53**), Polished Brass (**55**), Polished Nickel (**56**), Brushed Nickel (**57**), Satin Nickel (**60**), Antique Lacquered Copper (**67**), Antique Lacquered Brass (**68**), Weathered Brass (**70**), Lacquered Polished Black Nickel (**71**) and Lacquered Polished Copper (**80**).
- Please See Cleaning Instructions: <http://herbeau.com/CleaningAll.pdf> For Finish Care and Maintenance Information.

Part#

Description

- | | |
|----|---|
| 01 | Azalee Sink Trim |
| 02 | Finished Machine Screw |
| 03 | 2124 Finished Tail Piece |
| 03 | Optional Extended Tail Piece - Specify Length When Ordering |
| 04 | 2124 Finished Tulip Globe |
| 05 | Rubber Gasket |

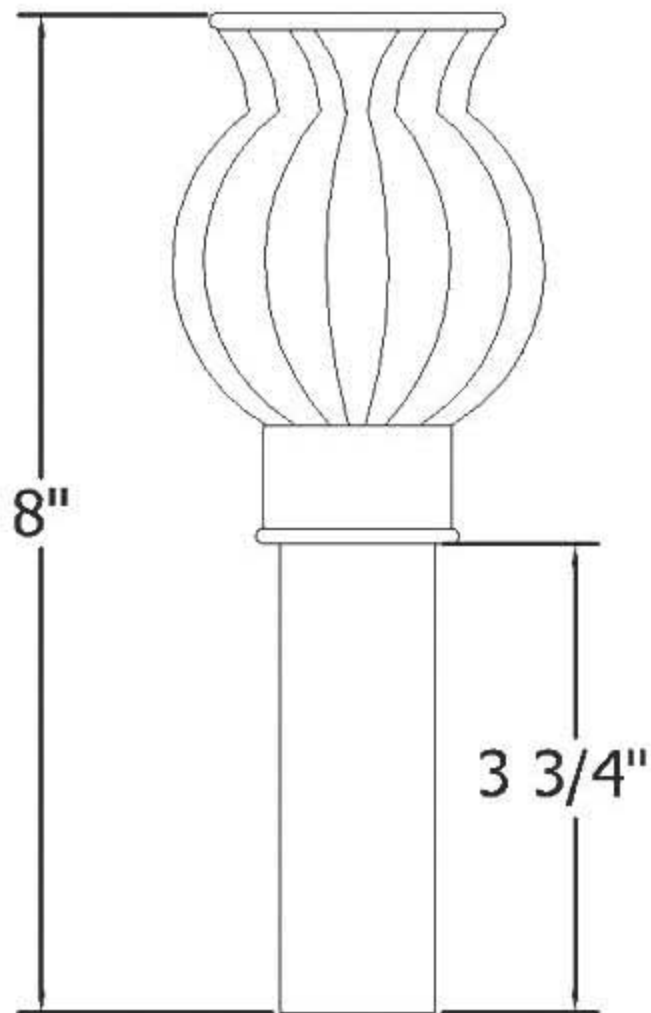
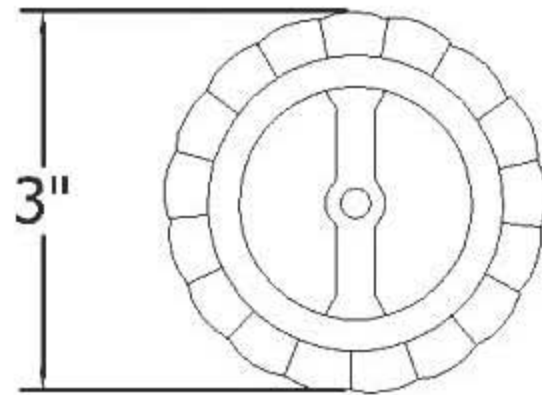
Please follow example when ordering parts for ‘Tulip’ Drain

- To order part#02 – Finished Machine Screw
 - 990022xx
- Please substitute finish number needed in place of **xx**



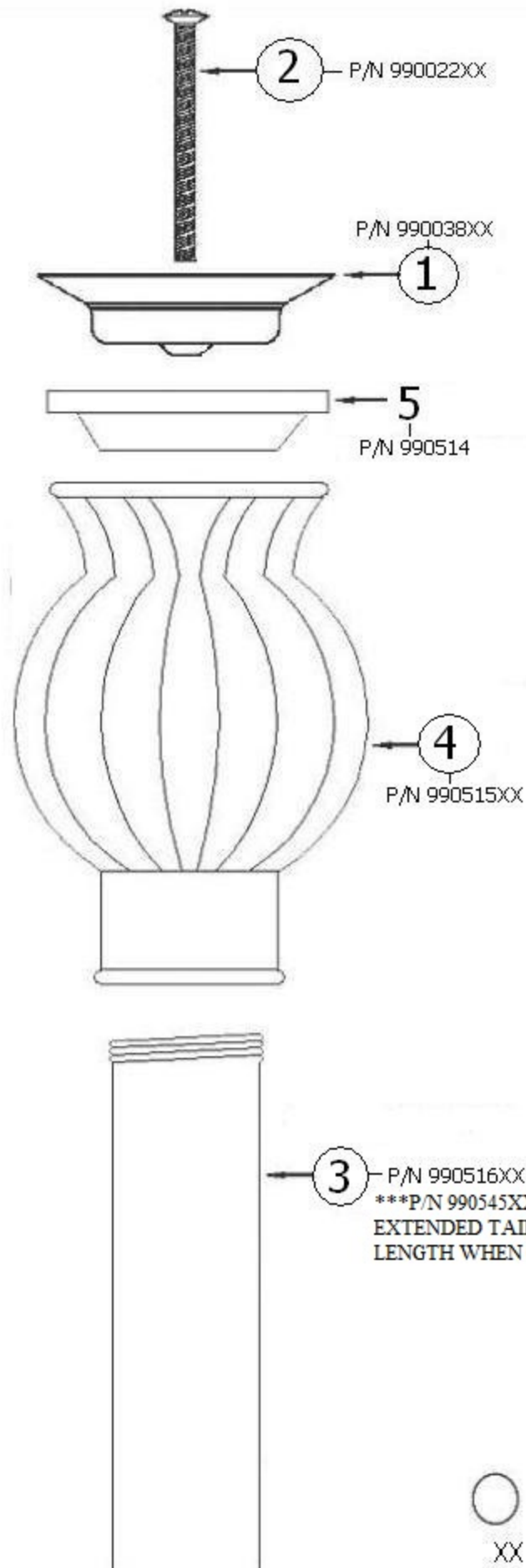
Herbeau[®]
L'Art du Sanitaire depuis 1857

2124 - 'Tulip' Drain



2124 - 'Tulip' Drain

*P/N = PART NUMBER



○ = FINISHED PARTS
XX = TWO DIGIT FINISH CODE