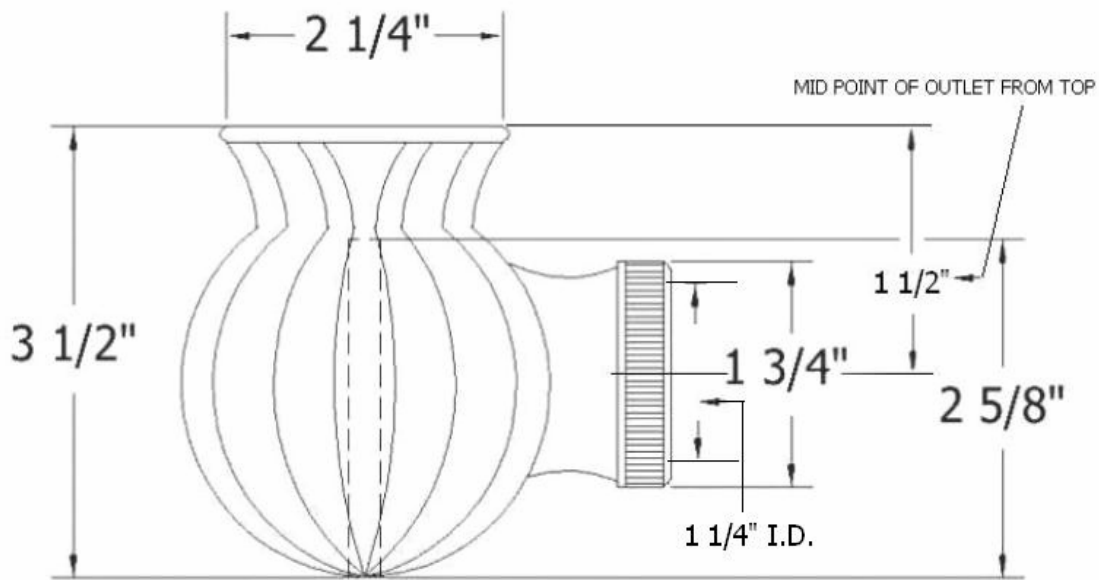


# 2121 – 'Sphere' Round Trap Cover



## Technical Information

- Available Finishes are French Weathered Brass(47), Polished Chrome(48), SoliBrass(49), Lacquered Matte Black Nickel(50), Old Gold(52), Old Silver(53), Polished Brass(55), Polished Nickel(56), Brushed Nickel(57), Satin Nickel(60), Antique Lacquered Copper(67), Antique Lacquered Brass(68), Weathered Brass(70), Lacquered Polished Black Nickel(71) and Lacquered Polished Copper(80).
- Please see cleaning instructions: <http://herbeau.com/CleaningAll.pdf> for finish care and maintenance information.
- To be used with #2120 and #2122

## Part#

01  
02  
03  
04

## Description

Rubber Gasket  
Siphon Sphere  
Flat Washer  
Threaded Connection

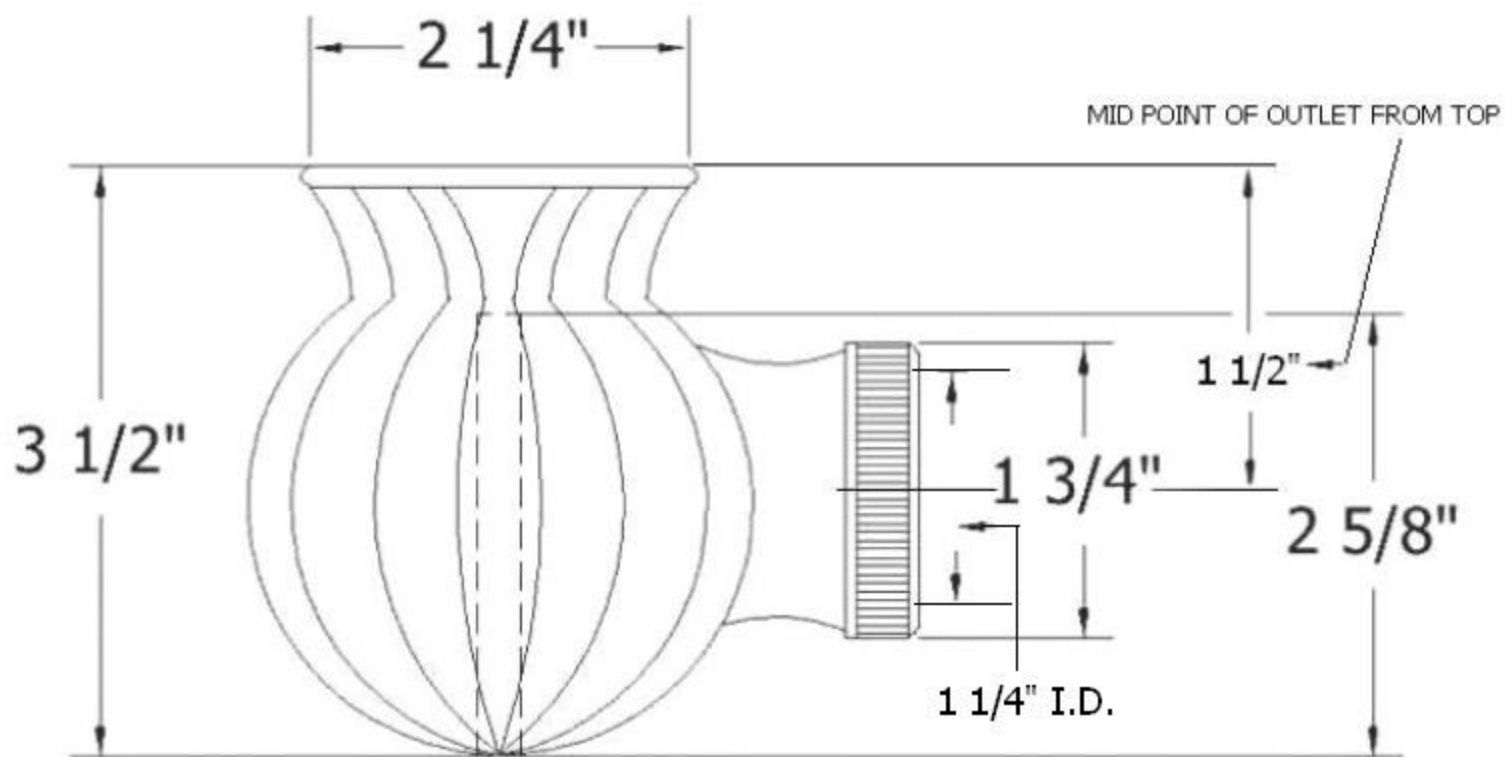
Please follow example when ordering parts for 'Sphere' Round Trap Cover.

- To order part#04 – **Threaded Connection**
  - 950225xx
- Please substitute finish number needed in place of **xx**.



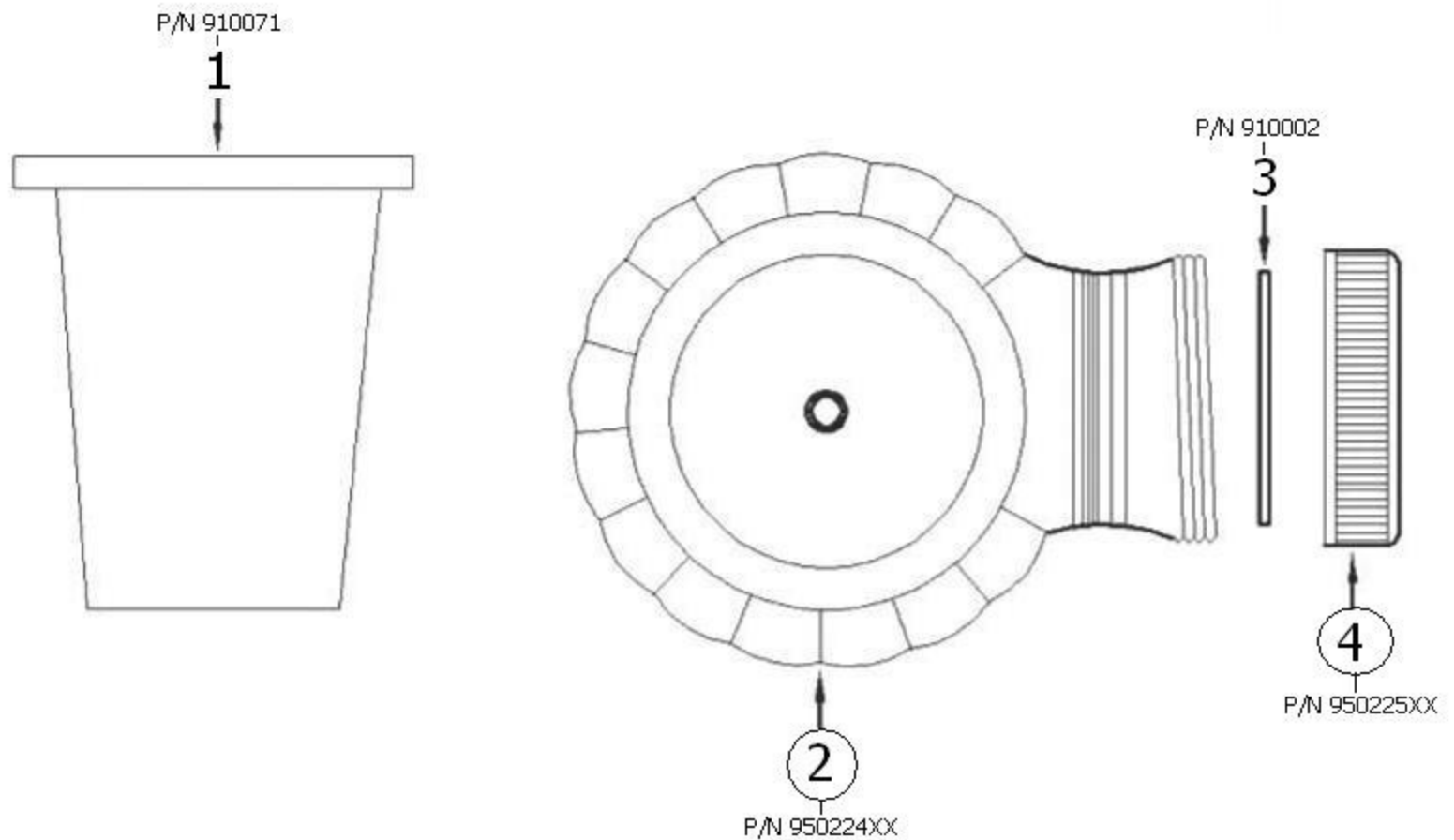
**Herbeau**  
L'Art du Sanitaire depuis 1857

# 2121 - 'Sphere' Round Trap Cover



# 2121 - 'Sphere' Round Trap Cover

\*P/N = PART NUMBER



○ = FINISHED PARTS

XX = TWO DIGIT FINISH CODE