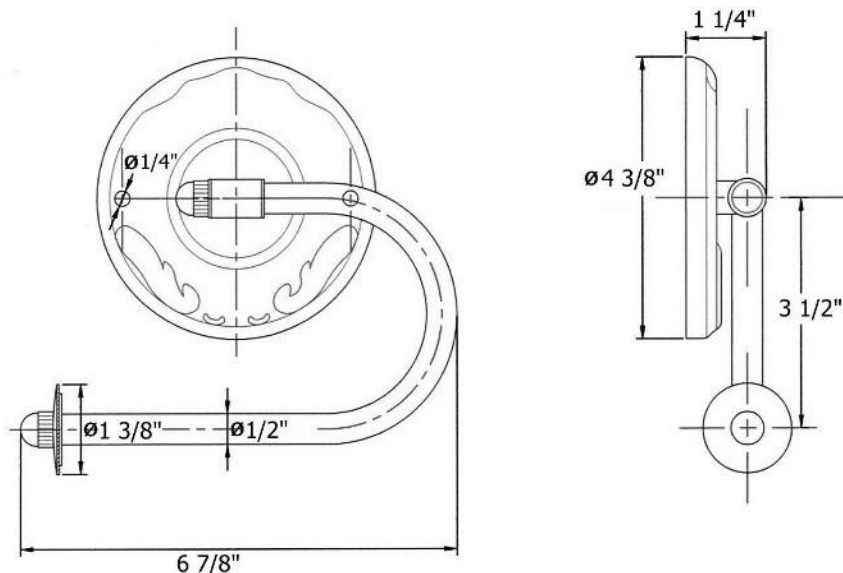


1302 – ‘Charleston’ Toilet Tissue Holder



Technical Information

- Available finishes are French Weathered Brass (47), Polished Chrome (48), SoliBrass (49), Lacquered Matte Black Nickel (50), Old Gold (52), Old Silver (53), Polished Brass (55), Polished Nickel (56), Brushed Nickel (57), Satin Nickel (60), Antique Lacquered Copper (67), Antique Lacquered Brass (68), Weathered Brass (70), Lacquered Polished Black Nickel (71) and Lacquered Polished Copper (80).
- Available colors and hand painted patterns on ceramic escutcheon are Moustier Polychrome (01), Moustier Bleu (02), Moustier Rose (03), Vieux Rouen (04), Sceau Rose (05), Sceau Bleu (06), Berain Rose (07), Berain Vert (08), Berain Bleu (09), Romantique (10), Rouen Marly (11), White (20) and Avesnes (21).
- Please See Cleaning Instructions: <http://herbeau.com/CleaningAll.pdf> For Finish Care and Maintenance Information.

Part#

Description

01	End Cap
02	Sleeve
03	Finished Arm
04	Finished Screw
05	Ceramic Escutcheon
06	M8 X 125-52 Threaded Stem
07	M8 X 125-23 Threaded Stem
08	Nylon Washer

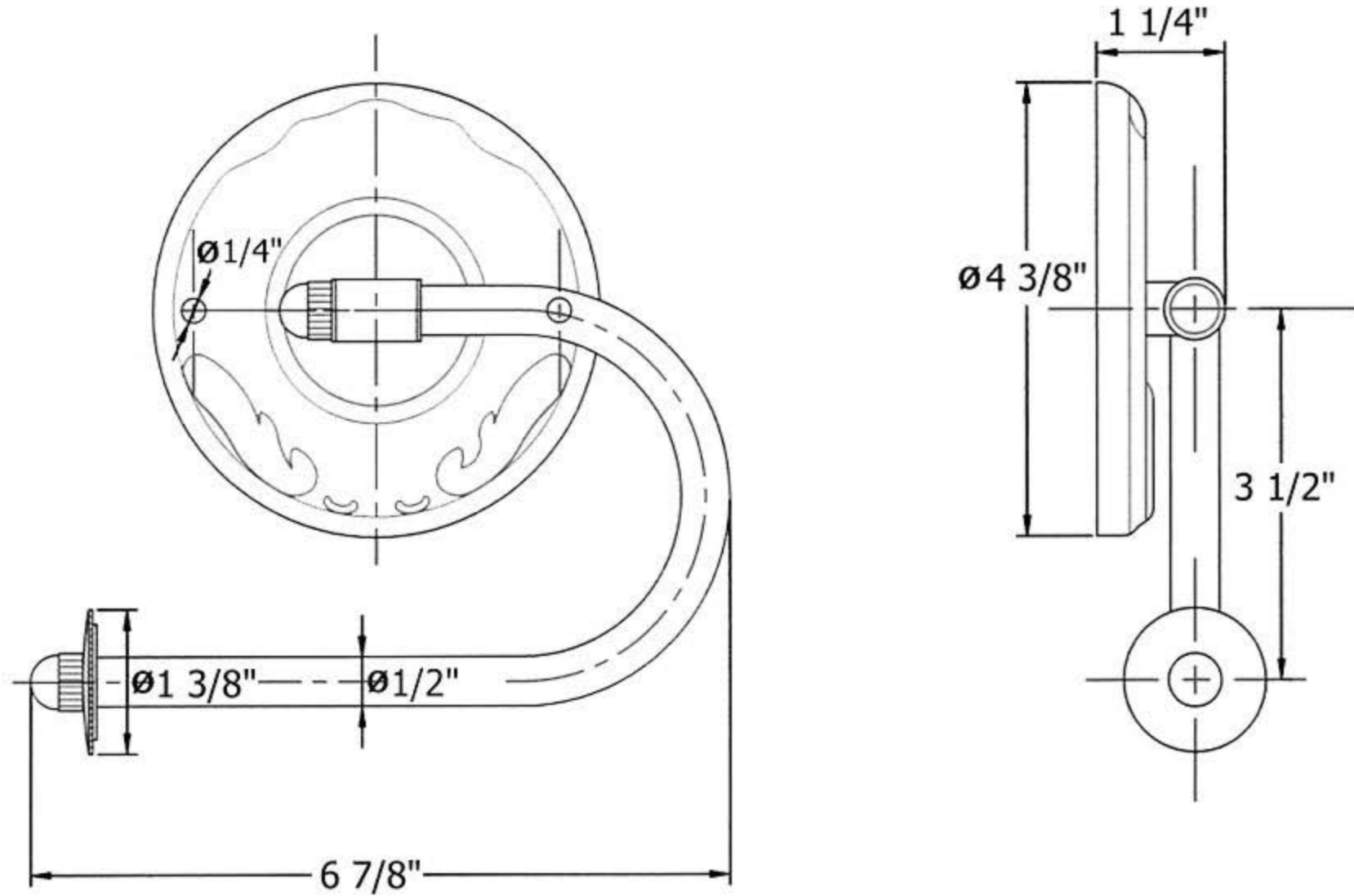
Please follow example when ordering parts for ‘Charleston’ Tissue Holder

- To order part# 02 – Sleeve
 - 950108xx
- Please substitute finish number needed in place of **XX**



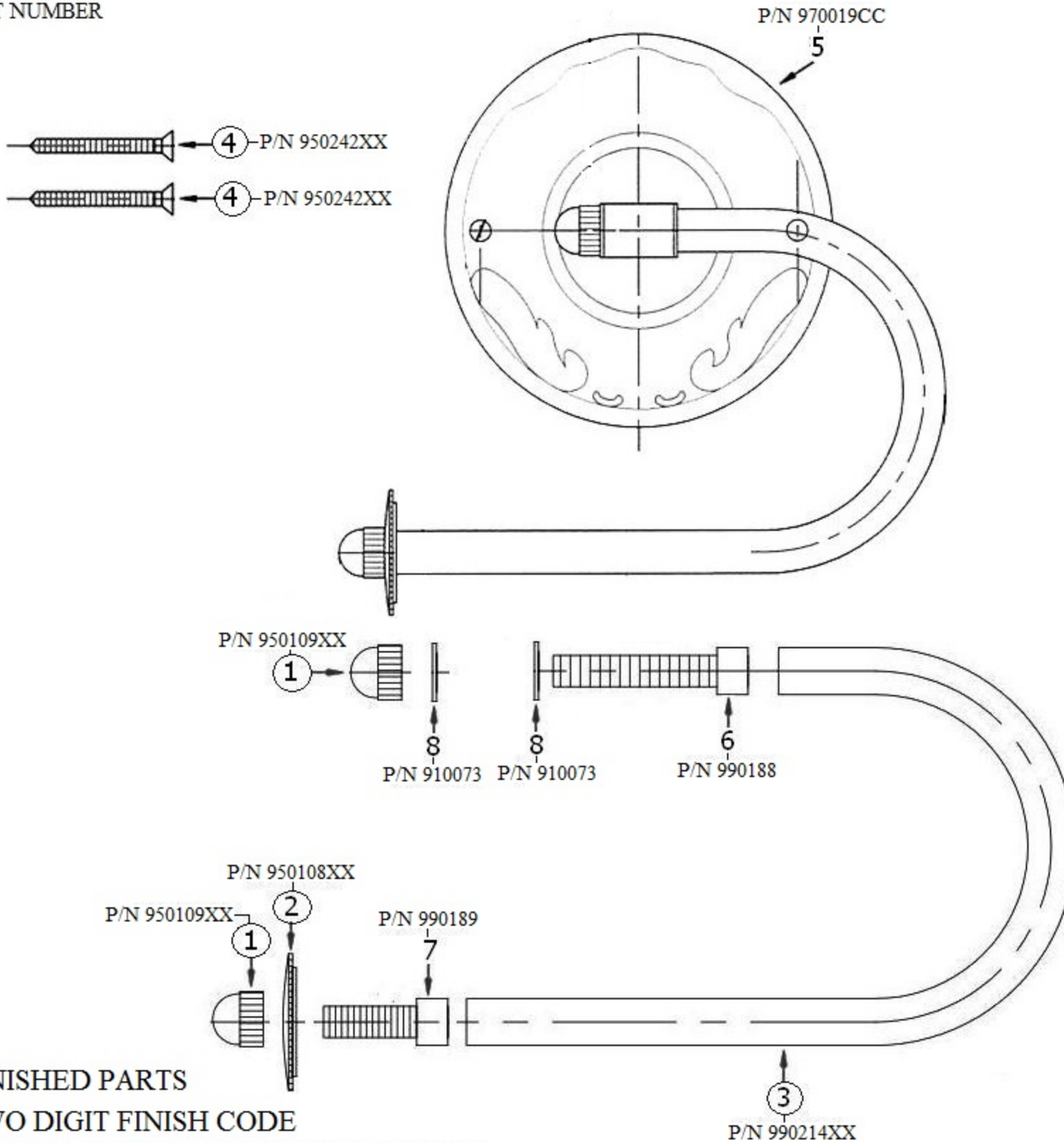
Herbeau[®]
L'Art du Sanitaire depuis 1857

1302 - 'Charleston' Toilet Tissue Holder



1302 - 'Charleston' Toilet Tissue Holder

*P/N = PART NUMBER



○ = FINISHED PARTS
 XX = TWO DIGIT FINISH CODE
 CC = TWO DIGIT COLOR/HAND PAINT CODE