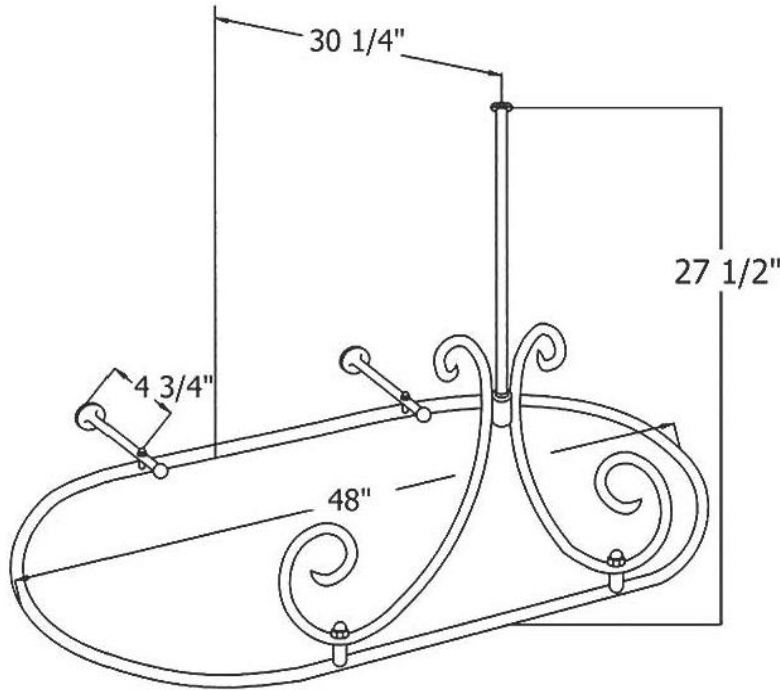


1151 – Shower Curtain Bar with Two Wall Supports



Part #	Description
01	Wall Mount Support Pipe
01	Custom Length Wall Mount Support Pipe
02	Brass Washers
03	Nut
04	Small Connector M10 X 1.8MM
06	Screw
07	End Cap
08	Dome
09	Wall Pipe Ball
10	Curtain Ring Set of 24
10	Single Curtain Ring

Technical Information

- 1 ceiling mount support and 2 wall mount supports.
- Available finishes are French Weathered Brass (**47**), Polished Chrome (**48**), SoliBrass (**49**), Polished Brass (**55**), Polished Nickel (**56**), Brushed Nickel (**57**), Satin Nickel (**60**), Antique Lacquered Copper (**67**), Antique Lacquered Brass (**68**), Weathered Brass (**70**) and Lacquered Polished Copper (**80**).
- Please See Cleaning Instructions: <http://herbeau.com/CleaningAll.pdf> For Finish Care and Maintenance Information.

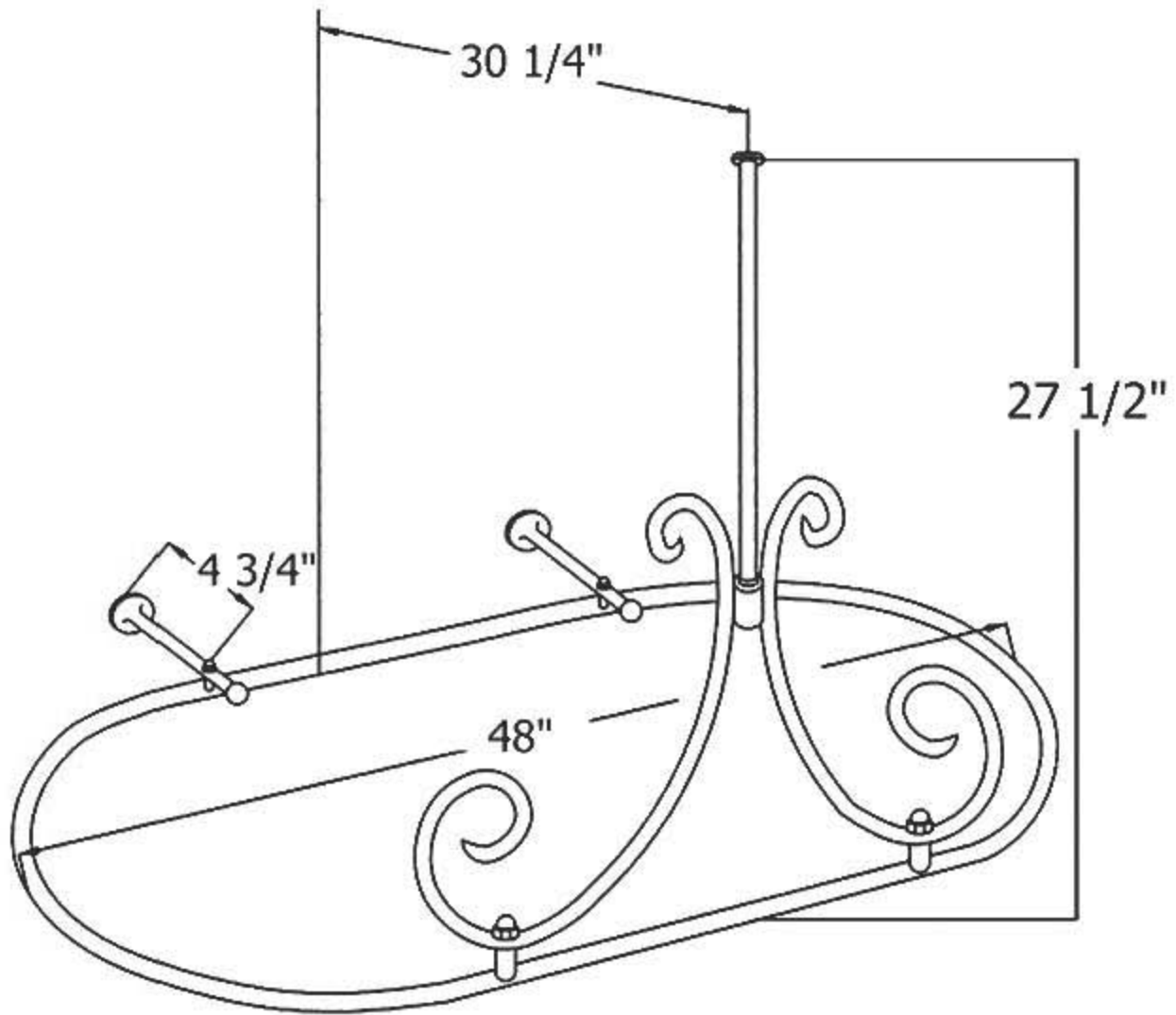
Please follow example when ordering parts for Shower Curtain Bar

- To order part# 01 – Wall Mount Support Pipe
 - 990048xx
- Please Substitute Finish Number Needed in Place of xx



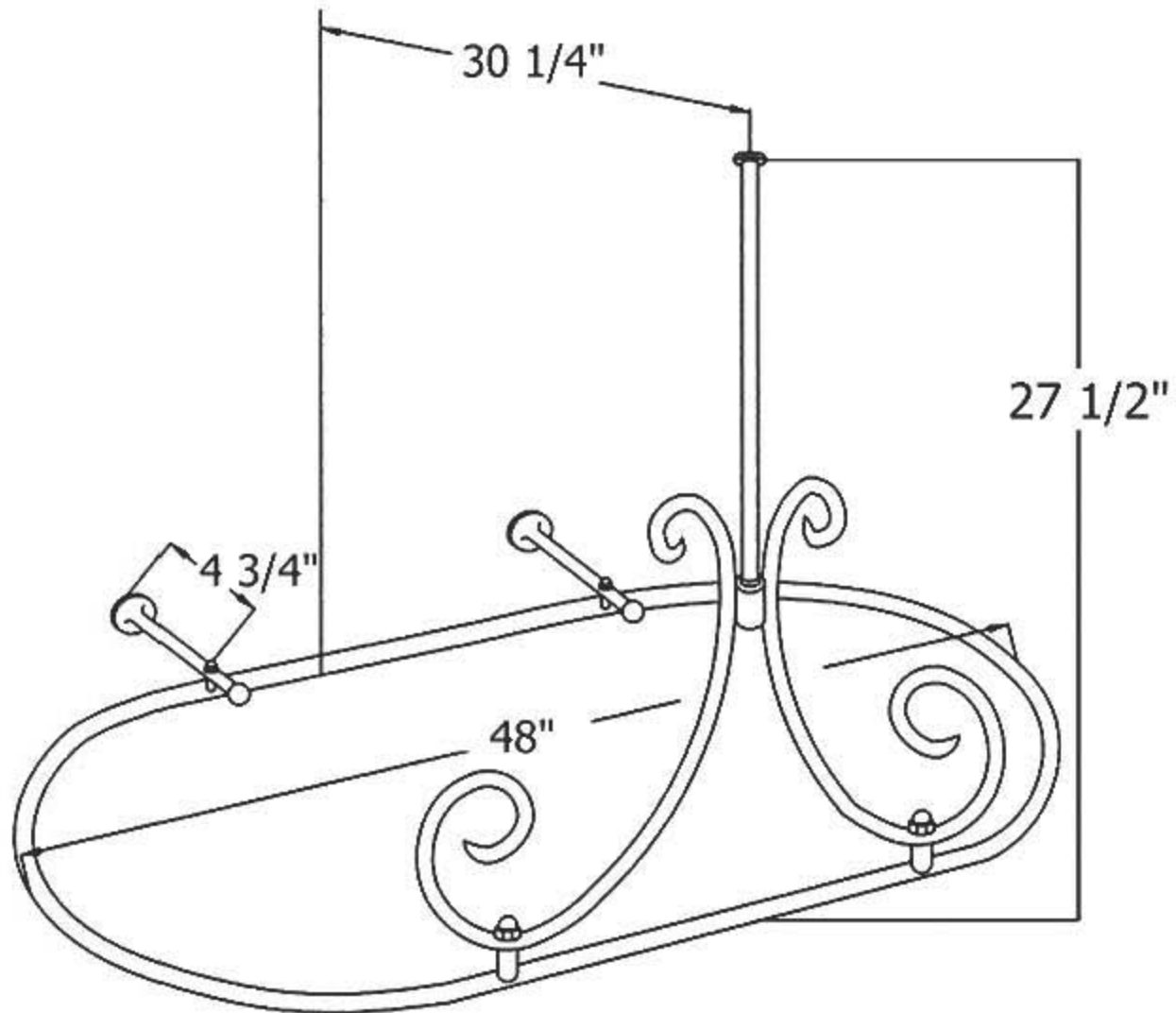
Herbeau[®]
L'Art du Sanitaire depuis 1857

1151 - Shower Curtain Bar with Two Wall Supports



1151 - Shower Curtain Bar with Two Wall Supports

- 1 - P/N 990048XX QUANTITY (2)
- 2 - P/N 990039XX QUANTITY (2)
- 3 - P/N 990084 QUANTITY (2)
- 4 - P/N 990432XX QUANTITY (2)
- 6 - P/N 920047XX QUANTITY 96)
- 7 - P/N 950109XX QUANTITY (6)
- 8 - P/N 950171XX QUANTITY (2)
- 9 - P/N 990051XX QUANTITY (2)
- 10 - P/N 990247XX QUANTITY (SET OF 24)
- 10 - P/N 990248XX QUANTITY (24 EACH)



○ = FINISHED PART
XX = TWO DIGIT FINISH CODE