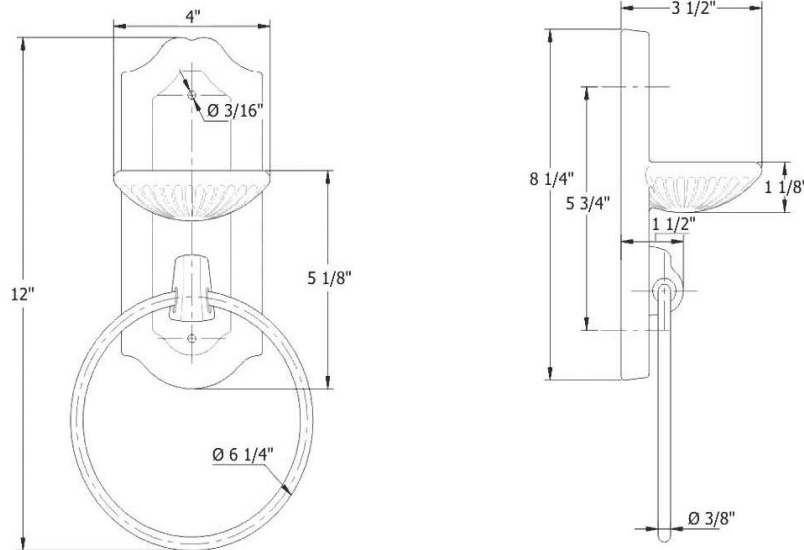


1122 – ‘Sophie’ Towel Ring / Soap Dish



Part #	Description
*01	*Ceramic Escutcheon- Awaiting Part Number Confirmation
02	Plastic Inserts
03	Finished Ring
04	Finished Screw

Technical Information

- Available finishes are French Weathered Brass (47), Polished Chrome (48), SoliBrass (49), Lacquered Matte Black Nickel (50), Old Gold (52), Old Silver (53), Polished Brass (55), Polished Nickel (56), Brushed Nickel (57), Satin Nickel (60), Antique Lacquered Copper (67), Antique Lacquered Brass (68), Weathered Brass (70), Lacquered Polished Black Nickel (71) and Lacquered Polished Copper (80).
- Available colors and hand painted patterns on ceramic are Moustier Polychrome (01), Moustier Bleu (02), Moustier Rose (03), Vieux Rouen (04), Sceau Rose (05), Sceau Bleu (06), Berain Rose (07), Berain Vert (08), Berain Bleu (09), Romantique (10), Rouen Marly (11), White (20) and Avesnes (21).
- Please See Cleaning Instructions:
<http://herbeau.com/CleaningAll.pdf> For Finish Care and Maintenance Information.

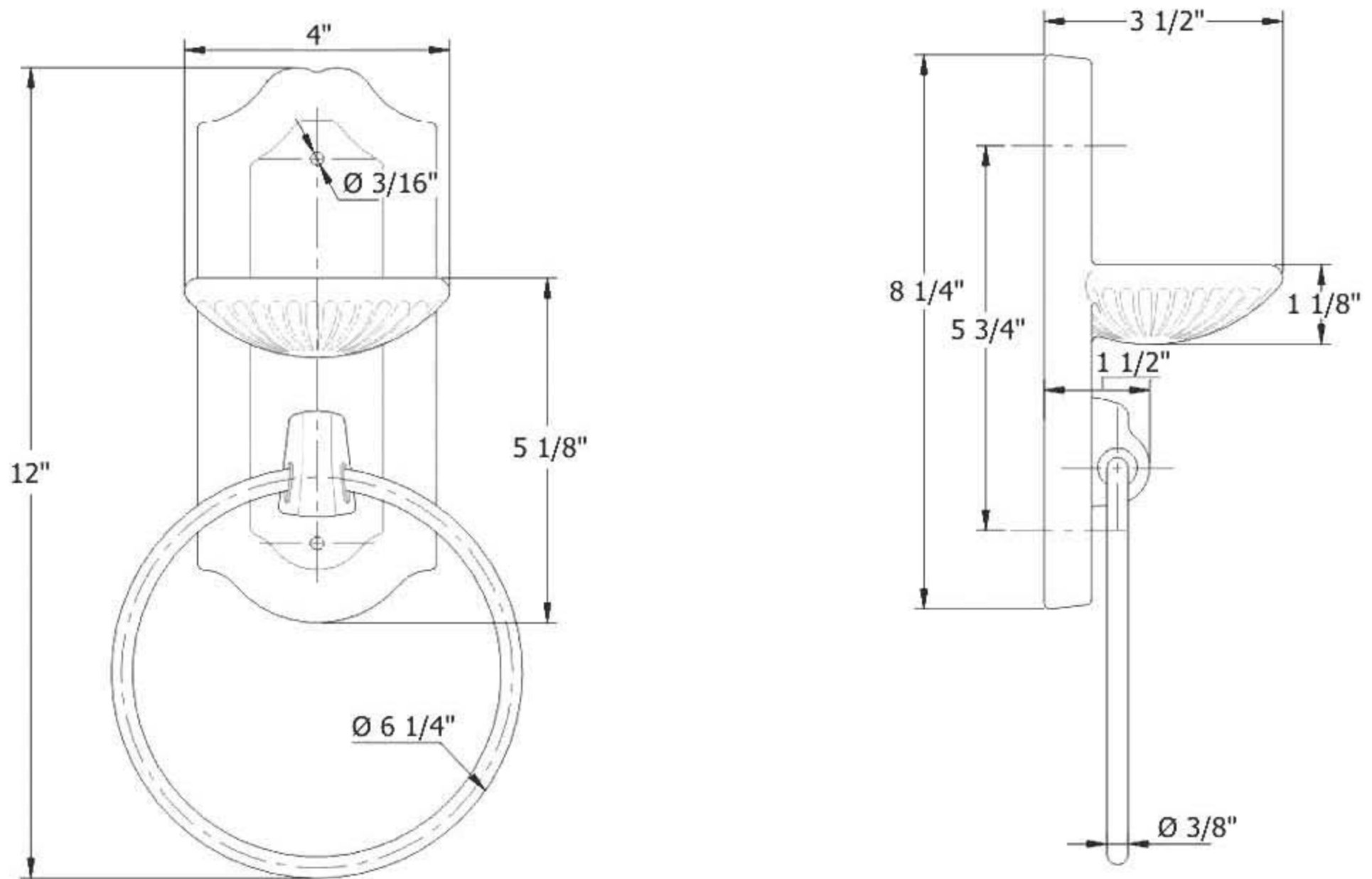
Please follow example when ordering parts for ‘Sophie’ Soap Dish

- To order part# 04 – Finished Screw
 - 920024xx
- Please substitute finish number needed in place of XX



Herbeau[®]
L'Art du Sanitaire depuis 1857

1122 - 'Sophie' Towel Ring / Soap Dish



1122 - 'Sophie' Towel Ring / Soap Dish

*P/N = PART NUMBER

