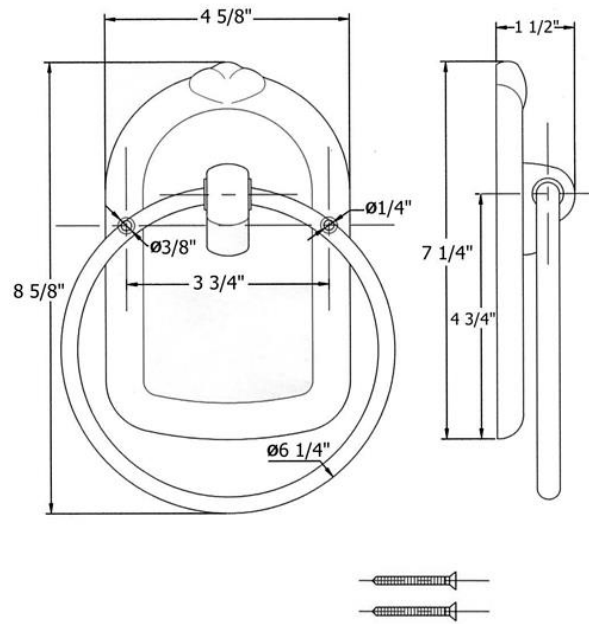


1112 – ‘Niche’ Towel Ring



Technical Information

- Available finishes are French Weathered Brass (47), Polished Chrome (48), SoliBrass (49), Lacquered Matte Black Nickel (50), Old Gold (52), Old Silver (53), Polished Brass (55), Polished Nickel (56), Brushed Nickel (57), Satin Nickel (60), Antique Lacquered Copper (67), Antique Lacquered Brass (68), Weathered Brass (70), Lacquered Polished Black Nickel (71) and Lacquered Polished Copper (80).
- Available colors and hand painted patterns on ceramic are Moustier Polychrome (01), Moustier Bleu (02), Moustier Rose (03), Vieux Rouen (04), Sceau Rose (05), Sceau Bleu (06), Berain Rose (07), Berain Vert (09), Romantique (10), Rouen Marly (11), White (20) and Avesnes (21).
- Please See Cleaning Instructions: <http://herbeau.com/CleaningAll.pdf> For Finish Care and Maintenance Information.

Part#

*01
02
03
04

Description

*Ceramic Escutcheon-Awaiting Part Number Confirmation
Plastic Insert
Finished Ring
Finished Screw

Please follow example when ordering parts for ‘Niche’ Towel Ring

- To order part#04 – Finished Screw

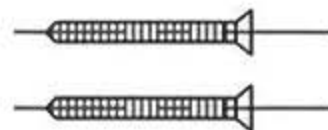
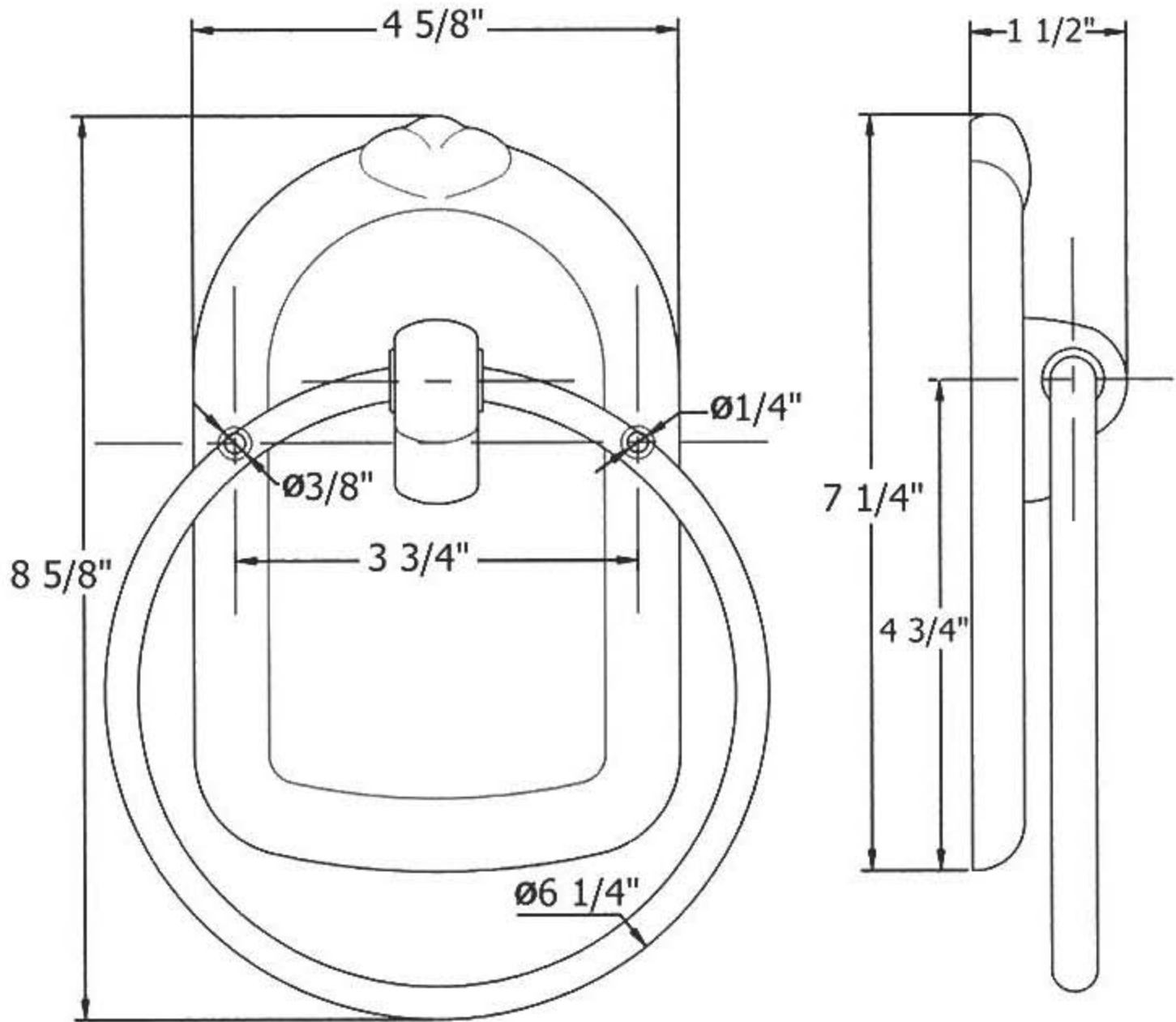
○ 950242xx

- Please substitute finish number needed in place of xx



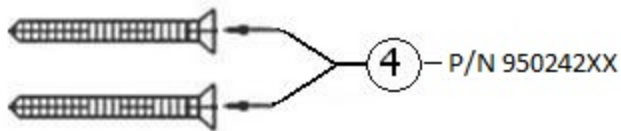
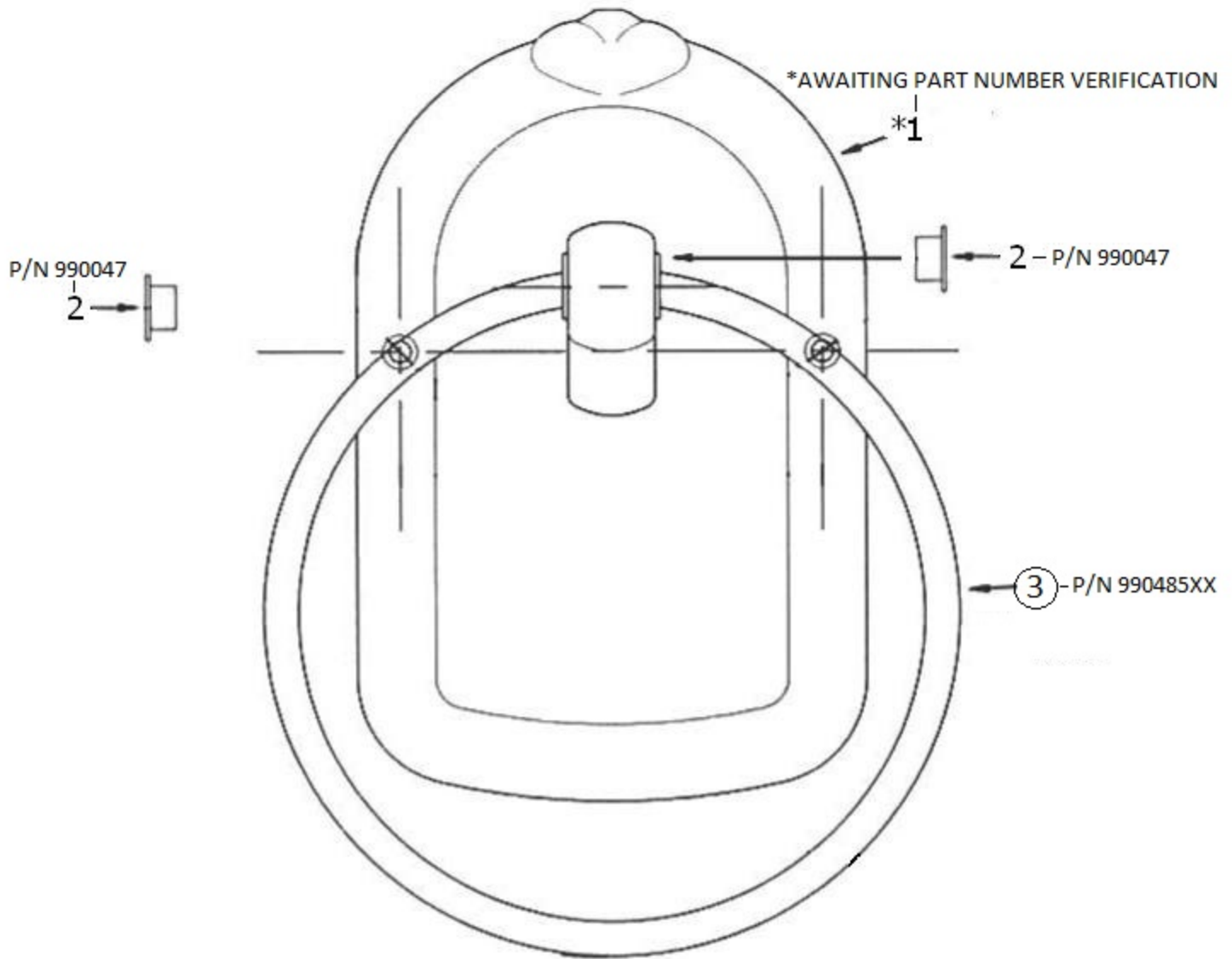
Herbeau[®]
L'Art du Sanitaire depuis 1857

1112 - 'Niche' Towel Ring



1112 - 'Niche' Towel Ring

*P/N = PART NUMBER



○ = FINISHED PARTS

XX = TWO DIGIT FINISH CODE