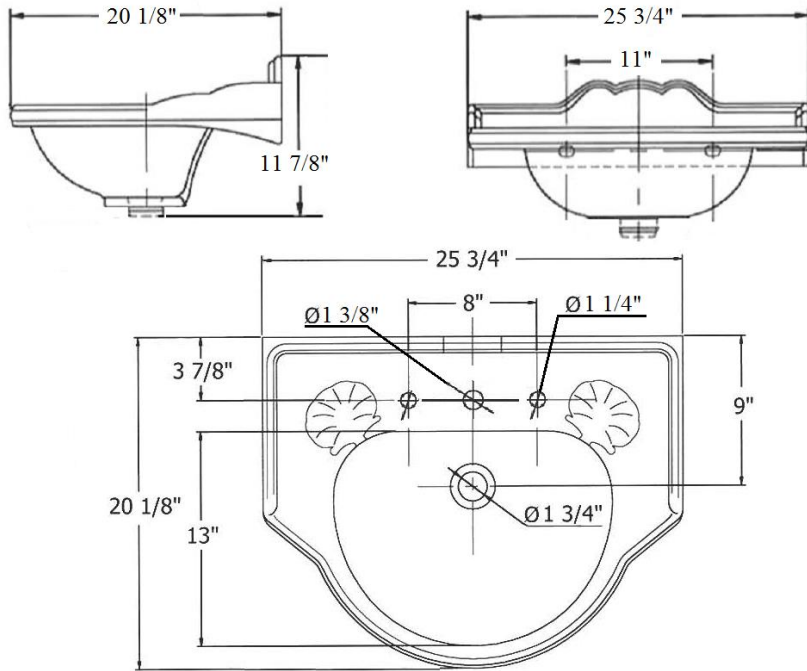


0311 – ‘Carla’ Washbasin



Part #

01

Description

Mounting Kit

Technical Information

- For Pedestal, refer to **0312**.
- Specify 3-hole 8" C.T.C. standard, (e.g. **0311203**) or single hole special order, (e.g. **0311201**).
- Available in Moustier Polychrome (**01**), Moustier Bleu (**02**), Moustier Rose (**03**), Vieux Rouen (**04**), Sceau Rose (**05**), Sceau Bleu (**06**), Berain Rose (**07**), Berain Vert (**08**), Berain Bleu (**09**), Romantique (**10**), Rouen Marly (**11**), White (**20**) and Avesnes (**21**).
- Please See Cleaning Instructions:
<http://herbeau.com/CleaningAll.pdf> For Finish Care and Maintenance Information.

Please follow example when ordering parts for ‘Carla’ Washbasin

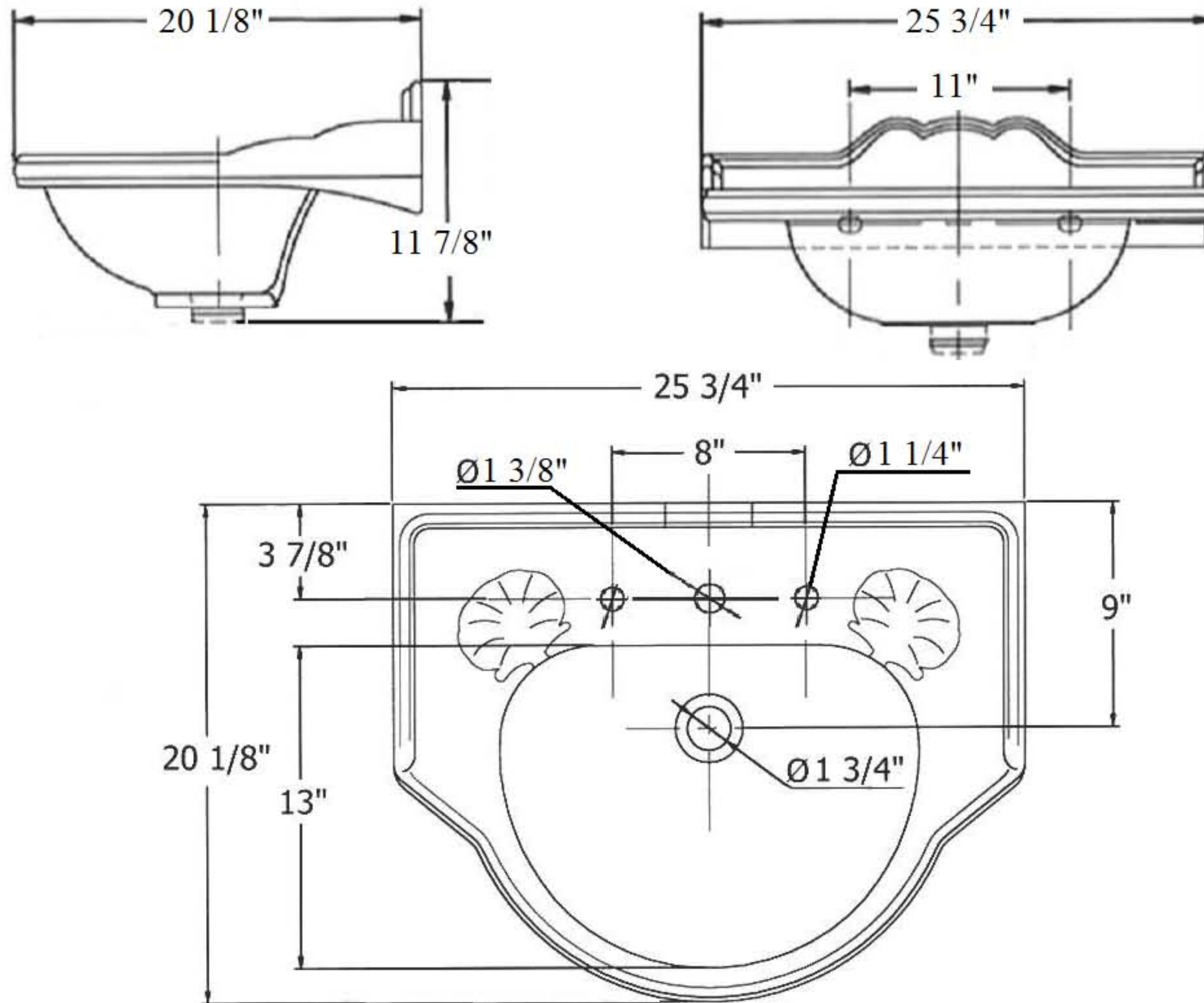
- To order part#01 – Mounting Kit

○ 920051



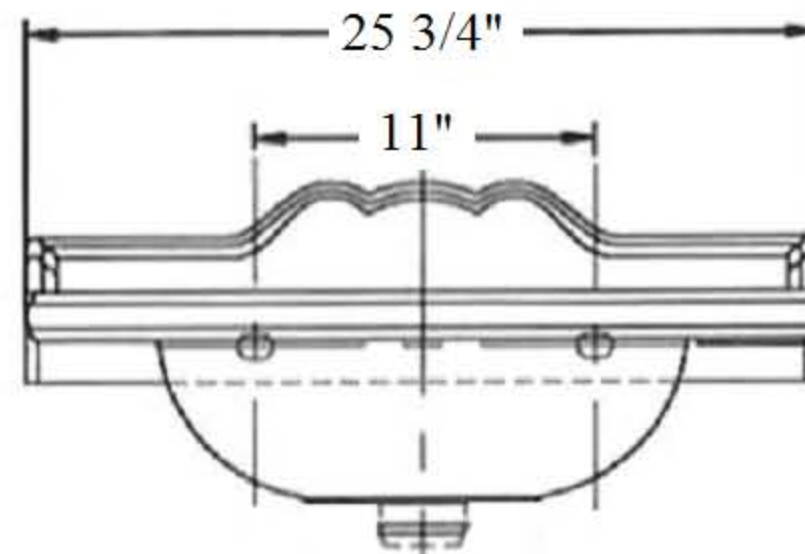
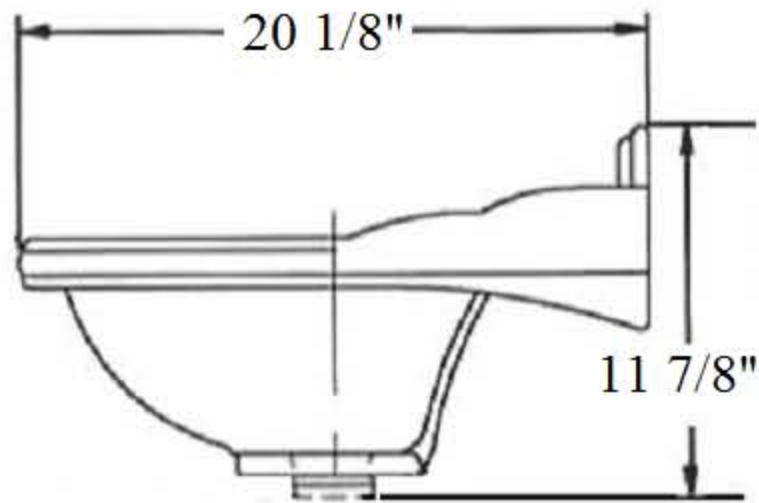
Herbeau[®]
L'Art du Sanitaire depuis 1857

0311- 'Carla' Washbasin



0311- 'Carla' Washbasin

*P/N = PART NUMBER



1
P/N 920051

