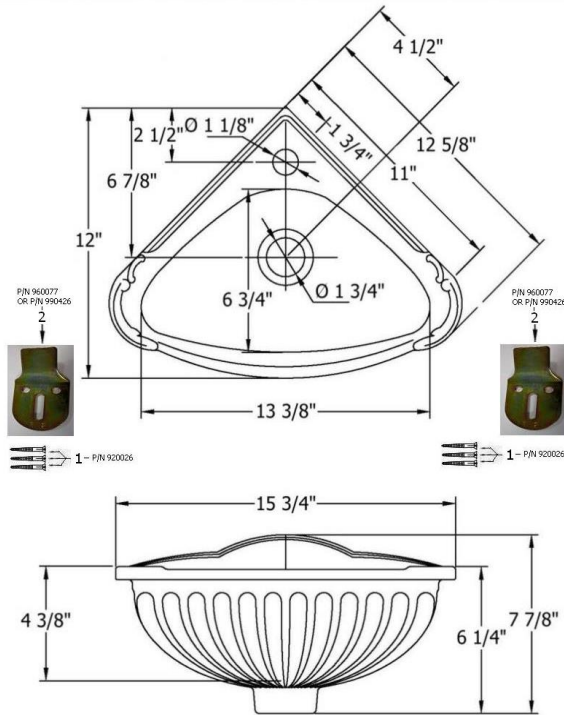


0106 – ‘Carline’ Vitreous China Corner Sink



Part #	Description
--------	-------------

01	Mounting Screw Kit Wall Bracket
02	

Technical Information

- Size: 15 3/4" W x 12" D x 7 7/8" H.
- Single hole only, 1 1/8" Ø.
- With Integrated Overflow.
- To pass UPC Codes, please use "2120", "2121", "2122" and install p-trap into the wall or use the "2124" and "3013" or "3014".
- Available Colors and Hand Painted Patterns are Moustier Polychrome (01), Moustier Bleu (02), Moustier Rose (03), Vieux Rouen (04), Sceau Rose (05), Sceau Bleu (06), Berain Rose (07), Berain Vert (08), Berain Bleu (09), Romantique (10), Rouen Marly (11), White (20) and Avesnes (21).
- Please See Cleaning Instructions: <http://herbeau.com/CleaningAll.pdf> For Finish Care and Maintenance Information.

Please follow example when ordering parts for ‘Carline’ Corner Basin

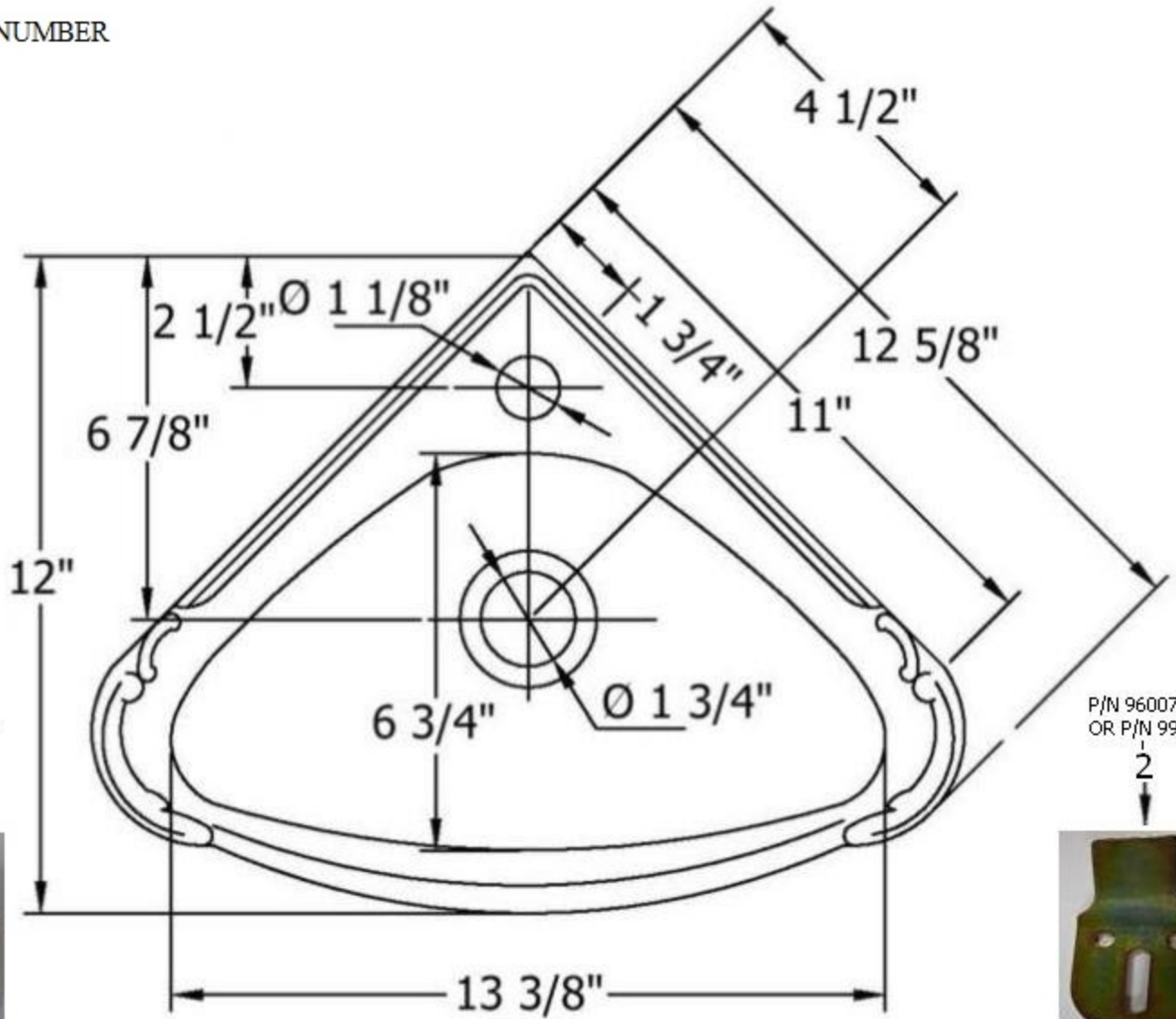
- To order part# 01 – Mounting Screw Kit
 - 920026



Herbeau®
L'Art du Sanitaire depuis 1857

0106 - 'Carline' Vitreous China Corner Sink

*P/N = PART NUMBER



P/N 960077
OR P/N 990426

P/N 960077
OR P/N 990426

