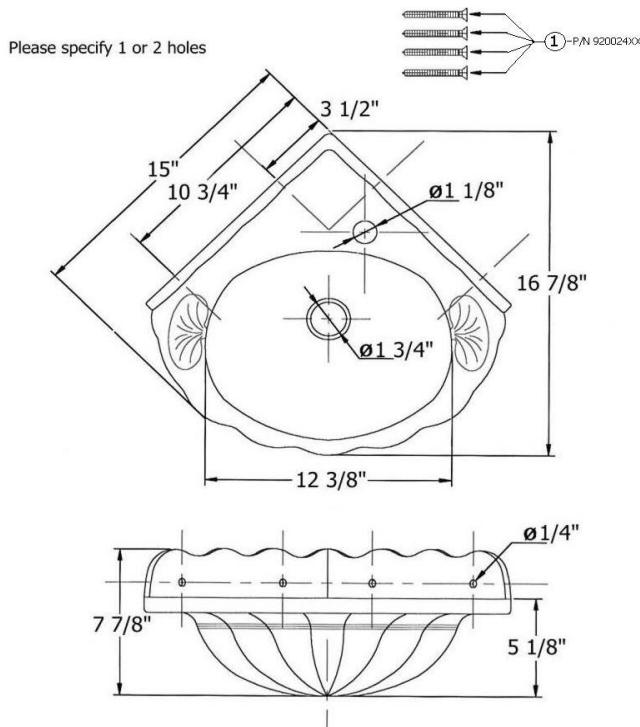


0102 – ‘Neptune’ Corner Hand Basin



Part #

Description

01

Finished Screw

Technical Information

- Size: 7 7/8" H x 16 7/8" D.
- To pass UPC Codes please use "2120", "2121", "2122" and install p-trap into the wall or use the "2124" and "3013" or "3014".
- Please specify single standard, (E.G. 0102031) or 2-hole drilling special order, (E.G. 0102032).
- Available Colors and Hand Painted Patterns are Moustier Polychrome (01), Moustier Bleu (02), Moustier Rose (03), Vieux Rouen (04), Sceau Rose (05), Sceau Bleu (06), Berain Rose (07), Berain Vert (08), Berain Bleu (09), Romantique (10), Rouen Marly (11), White (20) and Avesnes (21).
- Please See Cleaning Instructions: <http://herbeau.com/CleaningAll.pdf> For Finish Care and Maintenance Information.

Please follow example when ordering parts for 'Neptune' Hand Basin

- To order part# 01 – Finished Screw

○ 920024xx

- Please substitute finish number needed in place of **XX**

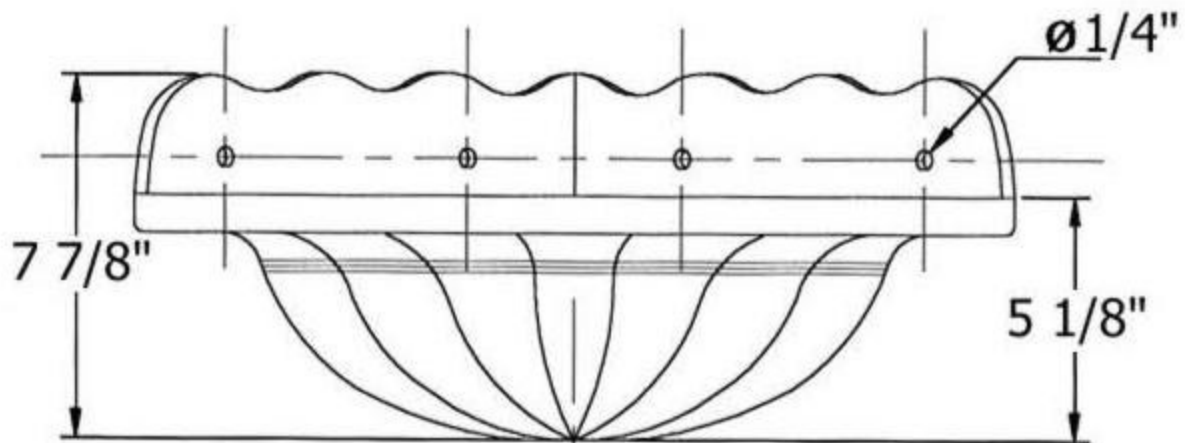
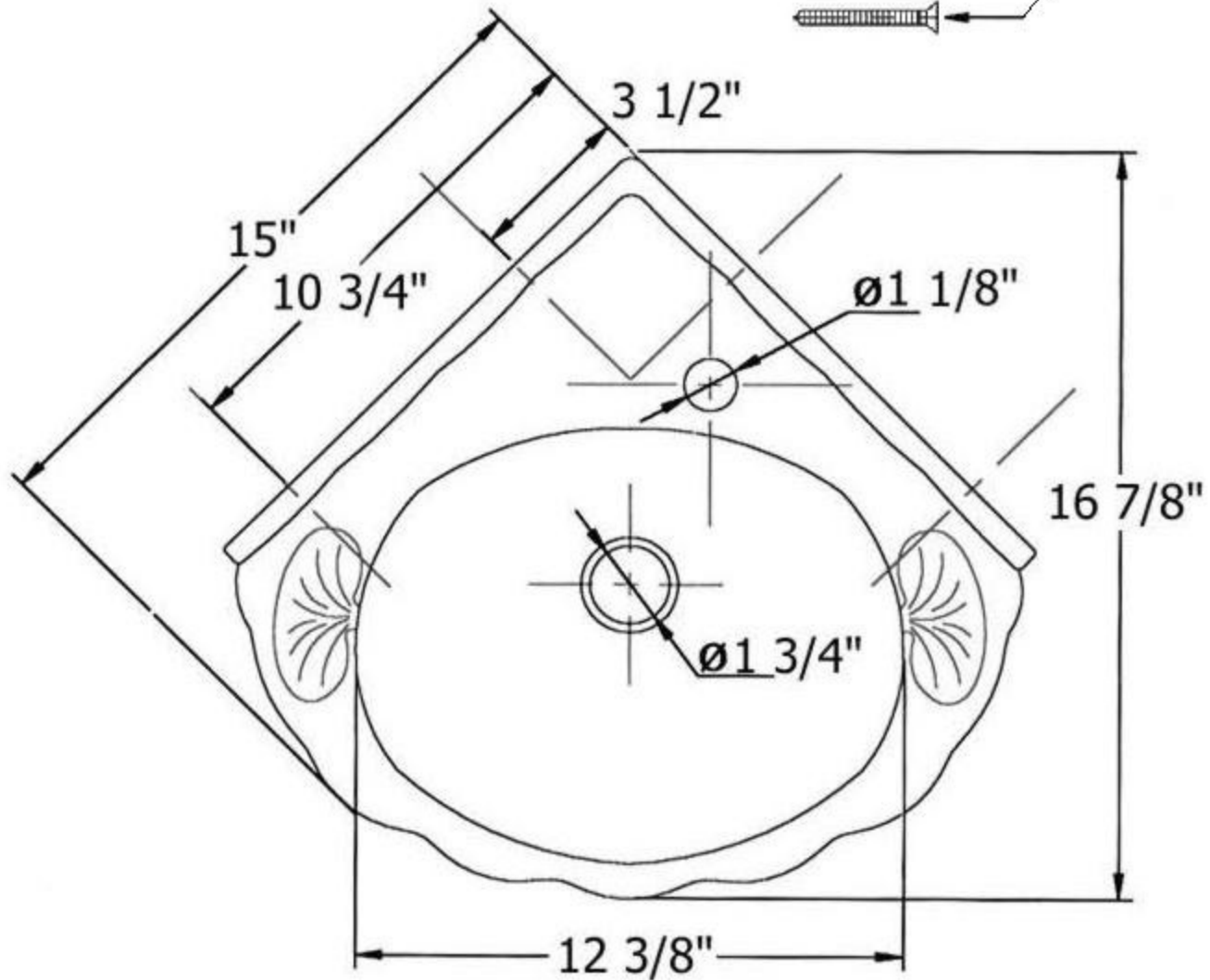
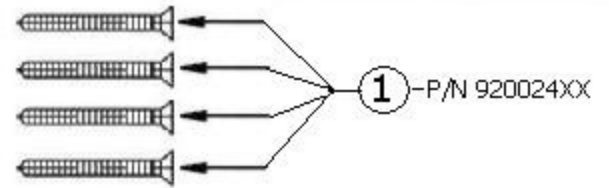


Herbeau[®]
L'Art du Sanitaire depuis 1857

0102 - 'Neptune' Corner Hand Basin

*P/N = PART NUMBER

Please specify 1 or 2 holes



○ = FINISHED PARTS
XX = TWO DIGIT FINISH CODE