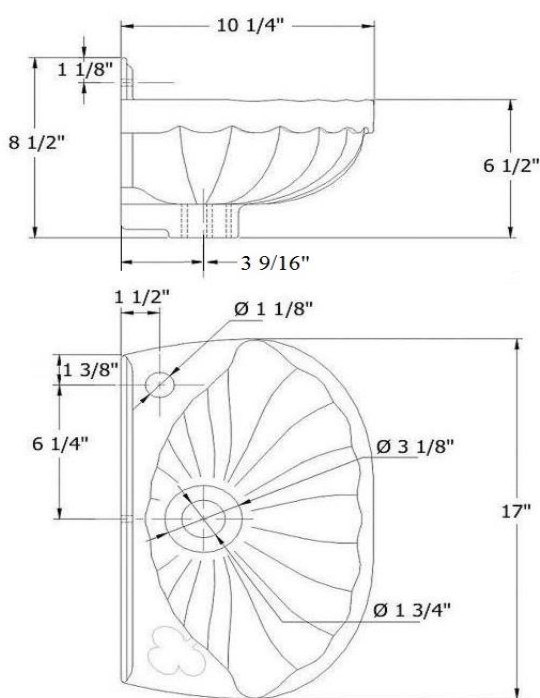

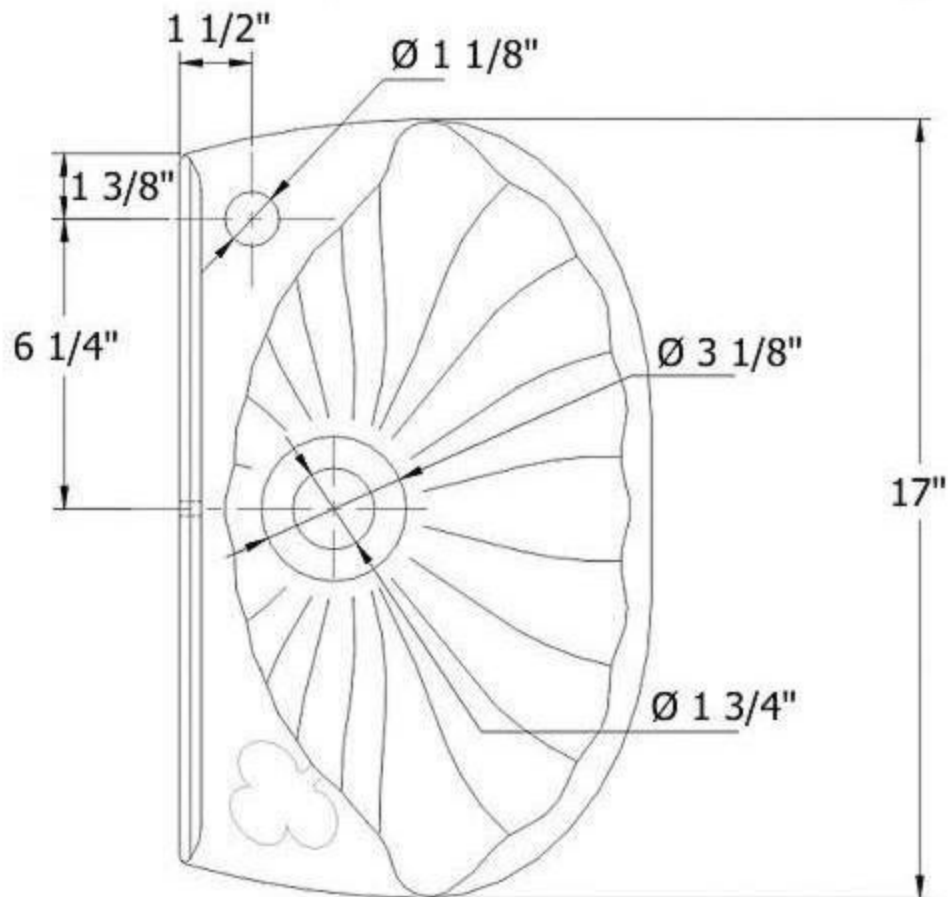
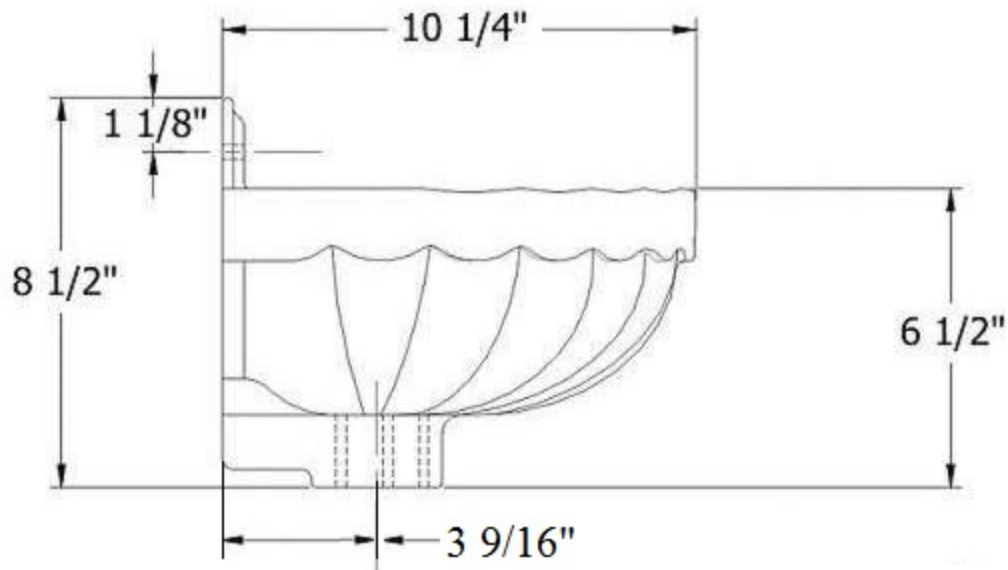


0101 – ‘Valse’ Vitreous China Hand Basin

	Part #	Description
	01	Finished Screw
<p style="text-align: center;"><u>Technical Information</u></p> <ul style="list-style-type: none"> • Size: 8 ½” H x 17” W x 10 ¼” D. • With Integrated Overflow. • To pass UPC Codes, please use “2120”, “2121”, “2122” and install p-trap into the wall. Note: This is the only drain combination that can be used on the 0101. • Available Colors and Hand Painted Patterns are Moustier Polychrome (01), Moustier Bleu (02), Moustier Rose (03), Vieux Rouen (04), Sceau Rose (05), Sceau Bleu (06), Berain Rose (07), Berain Vert (08), Berain Bleu (09), Romantique (10), Rouen Marly (11), White (20) and Avesnes (21). • Please See Cleaning Instructions: http://herbeau.com/CleaningAll.pdf For Finish Care and Maintenance Information. 		
<p><u>Please follow example when ordering parts for ‘Valse’ Hand Basin</u></p> <ul style="list-style-type: none"> • To order part# 01 – Finished Screw <ul style="list-style-type: none"> ○ <u>920024</u>xx • Please substitute finish number needed in place of xx 		 <p style="text-align: center;">Herbeau[®] L'Art du Sanitaire depuis 1857</p>

0101 - 'Valse' Hand Basin

*P/N = PART NUMBER



○ = FINISHED PARTS

XX = TWO DIGIT FINISH CODE